

CELLMAX-D-43I



Cell-Max™ Directional In-building Antenna, 698–960 MHz, 1710–2700 MHz, 4.3-10

OBSOLETE

This product was discontinued on: July 30, 2022

Replaced By:

CELLMAX-D-43-WI Low PIM Directional In-building Antenna, 698–960 MHz, 1710–2700, 3300-3800MHz

Product Classification

Product Type In-building antenna
Product Brand Cell-Max™

General Specifications

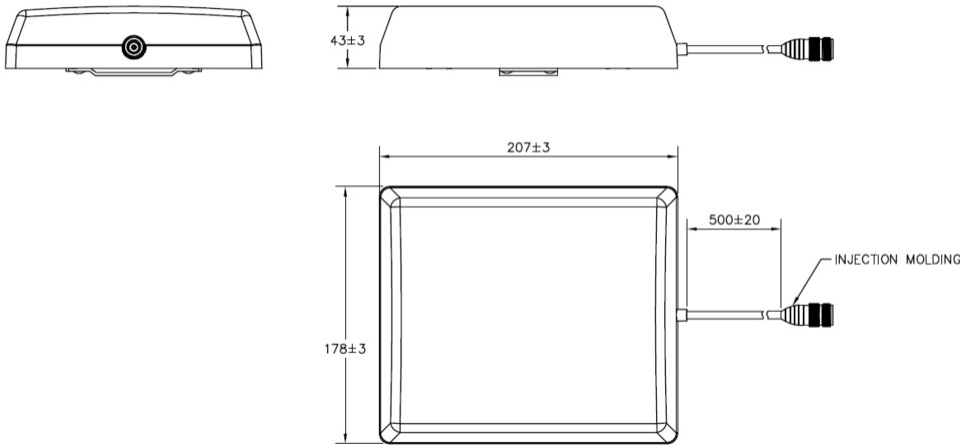
Application Indoor
Antenna Type Directional
Antenna Array Characteristic SISO
Polarization Vertical
Color White (RAL 9016)
Mounting 4-hole wall mounting plate and hardware (included)
Number of Ports 1
Pigtail Cable 670-141SXE, plenum rated
Radome Material ABS
RF Connector Interface 4.3-10 Female

Dimensions

Width 180 mm | 7.087 in
Depth 44 mm | 1.732 in
Length 210 mm | 8.268 in
Pigtail Length 500 mm | 19.685 in

CELLMAX-D-43I

Outline Drawing



Electrical Specifications

Impedance	50 ohm
Operating Frequency Band	1710 – 2700 MHz 698 – 960 MHz
Electrical Note	Values typical, unless otherwise stated

Electrical Specifications

Frequency Band, MHz	698–800	800–960	1710–2170	2200–2700
Gain, dBi	5.1	5.8	8.7	6.9
Beamwidth, Horizontal, degrees	128	94	60	54
Beamwidth, Vertical, degrees	85	82	57	38
VSWR Return loss, dB	1.7 11.7	1.5 14.0	1.5 14.0	1.5 14.0
PIM, 3rd Order, 2 x 20 W, dBc	-140	-140	-140	-140
Input Power per Port, maximum, watts	50	50	50	50

Environmental Specifications

Operating Temperature	-40 °C to +60 °C (-40 °F to +140 °F)
Relative Humidity	Up to 100%

Packaging and Weights

Width, packed	190 mm 7.48 in
----------------------	------------------

CELLMAX-D-43I

Depth, packed	55 mm 2.165 in
Length, packed	250 mm 9.843 in
Packaging quantity	1
Weight, gross	0.8 kg 1.764 lb
Weight, net	0.6 kg 1.323 lb

Regulatory Compliance/Certifications

Agency	Classification
CHINA-ROHS	Below maximum concentration value
ISO 9001:2015	Designed, manufactured and/or distributed under this quality management system
ROHS	Compliant
UK-ROHS	Compliant

