

CELLMAX-O-CPUSE



Cell-Max™ Omni In-building Antenna, 698–960 MHz and 1710–2700 MHz

- This product is part of the CommScope Wired for Wireless® Solution

Product Classification

Product Type	In-building antenna
Product Brand	Cell-Max™

General Specifications

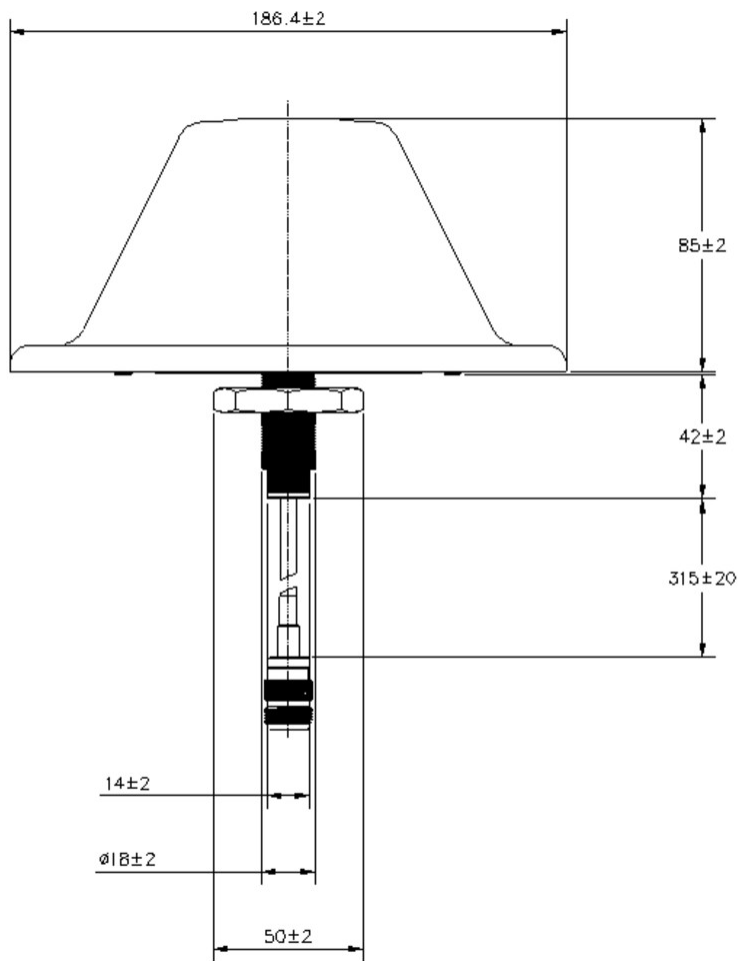
Application	Indoor
Antenna Type	Omni
Antenna Array Characteristic	SISO
Polarization	Vertical
Color	White (RAL 9016)
Mounting	Thru-hole ceiling mount (optional)
Number of Ports	1
Pigtail Cable	KSR195, plenum rated
Radome Material	ABS
RF Connector Interface	N Female

Dimensions

Height	85 mm 3.346 in
Pigtail Length	315 mm 12.402 in
Outer Diameter	186 mm 7.323 in

CELLMAX-O-CPUSE

Outline Drawing



Electrical Specifications

Impedance	50 ohm
Operating Frequency Band	1710 – 2700 MHz 698 – 960 MHz

Electrical Specifications

Frequency Band, MHz	698–800	800–960	1710–2700
Gain, dBi	2	2	5
Beamwidth, Horizontal, degrees	360	360	360
VSWR Return loss, dB	1.8 10.9	1.5 14.0	1.5 14.0
Input Power per Port, maximum, watts	50	50	50

CELLMAX-O-CPUSE

Environmental Specifications

Operating Temperature	-40 °C to +60 °C (-40 °F to +140 °F)
Relative Humidity	Up to 100%

Packaging and Weights

Height, packed	135 mm 5.315 in
Width, packed	195 mm 7.677 in
Length, packed	195 mm 7.677 in
Packaging quantity	1
Weight, gross	0.4 kg 0.882 lb
Weight, net	0.3 kg 0.661 lb

Regulatory Compliance/Certifications

Agency	Classification
CHINA-ROHS	Below maximum concentration value
ISO 9001:2015	Designed, manufactured and/or distributed under this quality management system
ROHS	Compliant

