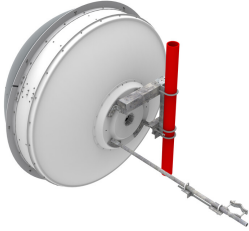


LX6-6W

Base Product



1.8m | 6ft ValuLine® Low Wind Load Antenna, dual-polarized, 5.925 – 7.125 GHz

Product Classification

Product Type	Microwave antenna
Product Brand	ValuLine®

General Specifications

Antenna Type	LX - ValuLine® Low Wind Load Antenna, dual-polarized
Polarization	Dual
Side Struts, Included	1
Side Struts, Optional	1

Dimensions

Diameter, nominal	1.8 m 6 ft
--------------------------	--------------

Electrical Specifications

Operating Frequency Band	5.925 – 7.125 GHz
Gain, Low Band	37.6 dBi
Gain, Mid Band	38.1 dBi
Gain, Top Band	38.6 dBi
Boresite Cross Polarization Discrimination (XPD)	33 dB
Front-to-Back Ratio	60 dB
Beamwidth, Horizontal	1.9 °
Beamwidth, Vertical	1.9 °
Return Loss	23.9 dB
VSWR	1.14
Radiation Pattern Envelope Reference (RPE)	7438
Electrical Compliance	IC 3059A IC 3064A US FCC Part 101A US FCC Part 74A

LX6-6W

Electrical Specifications, Band 2

Operating Frequency Band	5.725 – 5.850 GHz
Gain, Mid Band	37.8 dBi
Beamwidth, Horizontal	2.1 °

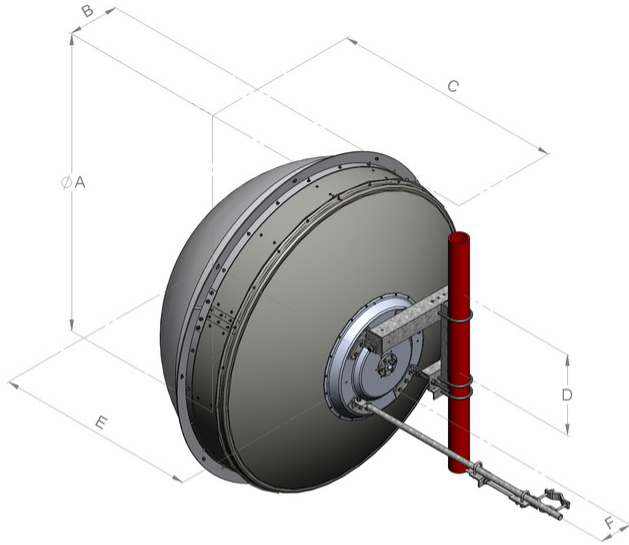
Mechanical Specifications

Compatible Mounting Pipe Diameter	115 mm 4.5 in
Fine Azimuth Adjustment Range	±15°
Fine Elevation Adjustment Range	±5°
Wind Speed, operational	200 km/h 124.274 mph
Wind Speed, survival	200 km/h 124.274 mph

LX6-6W

Antenna Dimensions and Mounting Information

HX6



Dimensions in inches (mm)						
Antenna size, ft (m)	A	B	C	D	E	F
6 (1.8)	76.5 (1942)	13.4 (340)	60.0 (1523)	20.9 (530)	51.9 (1317)	8.4 (214)

Wind Forces at Wind Velocity Survival Rating

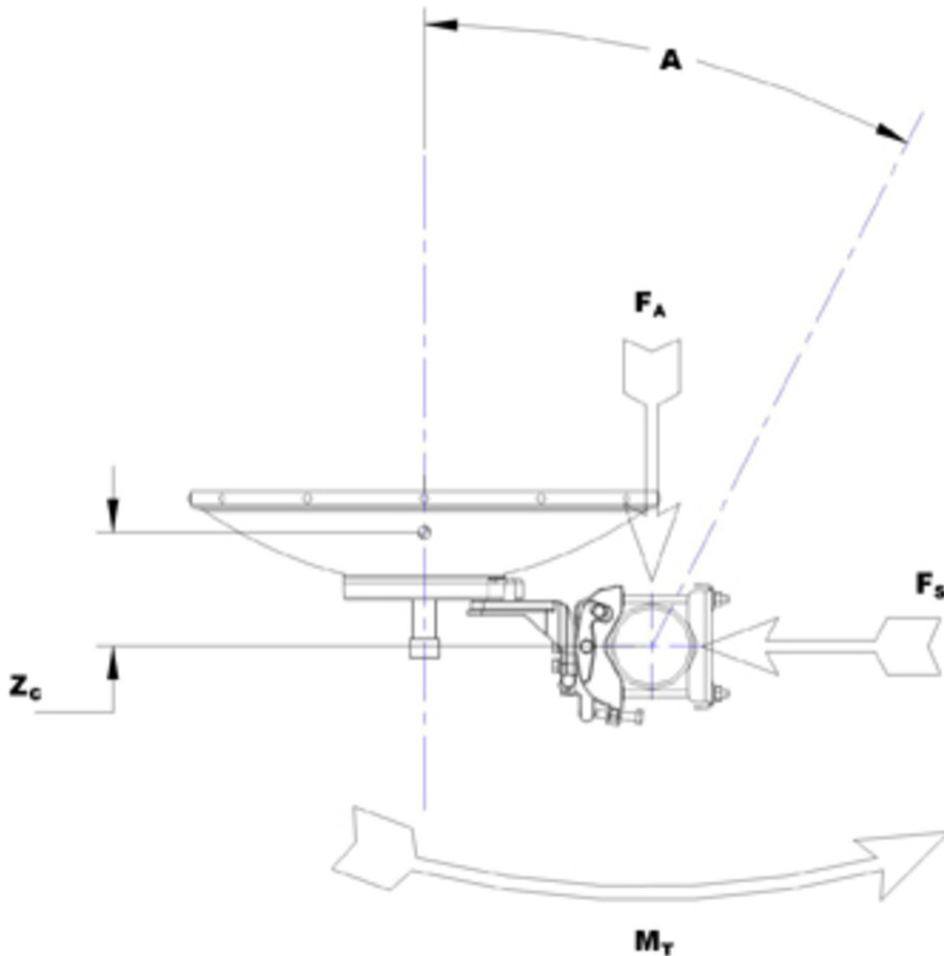
Axial Force (FA)	4670 N 1,049.858 lbf
Angle α for MT Max	-120 °
Side Force (FS)	2050 N 460.858 lbf
Twisting Moment (MT)	2500 N-m 22,126.863 in lb
Force on Inboard Strut Side	2900 N 651.946 lbf
Zcg without Ice	490 mm 19.291 in
Zcg with 1/2 in (12 mm) Radial Ice	540 mm 21.26 in
Weight with 1/2 in (12 mm) Radial Ice	191 kg 421.082 lb

LX6-6W



LX6-6W

Wind Forces at Wind Velocity Survival Rating Image



Packaging and Weights

Weight, net

86 kg | 189.597 lb

* Footnotes

Operating Frequency Band

Bands correspond with CCIR recommendations or common allocations used throughout the world. Other ranges can be accommodated on special order.

Gain, Mid Band

For a given frequency band, gain is primarily a function of antenna size. The gain of Andrew antennas is determined by either gain by comparison or by computer integration of the measured antenna patterns.

Boresite Cross Polarization Discrimination (XPD)

The difference between the peak of the co-polarized main beam and the maximum cross-polarized signal over an angle twice the 3 dB beamwidth

LX6-6W

of the co-polarized main beam.

Front-to-Back Ratio

Denotes highest radiation relative to the main beam, at $180^\circ \pm 40^\circ$, across the band. Production antennas do not exceed rated values by more than 2 dB unless stated otherwise.

Return Loss

The figure that indicates the proportion of radio waves incident upon the antenna that are rejected as a ratio of those that are accepted.

VSWR

Maximum; is the guaranteed Peak Voltage-Standing-Wave-Ratio within the operating band.

Radiation Pattern Envelope Reference (RPE)

Radiation patterns define an antenna's ability to discriminate against unwanted signals. Under still dry conditions, production antennas will not have any peak exceeding the current RPE by more than 3dB, maintaining an angular accuracy of $\pm 1^\circ$ throughout

Wind Speed, operational

For VHLP(X), SHP(X), HX and USX antennas, the wind speed where the maximum antenna deflection is 0.3 x the 3 dB beam width of the antenna. For other antennas, it is defined as a deflection is equal to or less than 0.1 degrees.

Wind Speed, survival

The maximum wind speed the antenna, including mounts and radomes, where applicable, will withstand without permanent deformation. Realignment may be required. This wind speed is applicable to antenna with the specified amount of radial ice.

Axial Force (FA)

Maximum forces exerted on a supporting structure as a result of wind from the most critical direction for this parameter. The individual maximums specified may not occur simultaneously. All forces are referenced to the mounting pipe.

Side Force (FS)

Maximum side force exerted on the mounting pipe as a result of wind from the most critical direction for this parameter. The individual maximums specified may not occur simultaneously. All forces are referenced to the mounting pipe.

Twisting Moment (MT)

Maximum forces exerted on a supporting structure as a result of wind from the most critical direction for this parameter. The individual maximums specified may not occur simultaneously. All forces are referenced to the mounting pipe.