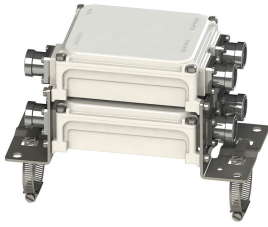


E11F02P51



Twin Diplexer, 1695-2180/2300-2690 MHz, dc bypass on 1695-2180 ports

- Industry leading PIM performance
- Twin configuration

This product will be discontinued on: December 30, 2024

Replaced By:

E14F06P48

Twin Diplexer, 1350-2200 / 2300-2700 MHz, dc bypass all ports, 4.3-10 connectors

Product Classification

Product Type Diplexer

General Specifications

Product Family CBC1726

Color Gray

Common Port Label COMM

Modularity 2-Twin

Mounting Pole | Wall

Mounting Pipe Hardware Band clamps (2)

RF Connector Interface 7-16 DIN Female

RF Connector Interface Body Style Long neck

Dimensions

Height 152.4 mm | 6 in

Width 123 mm | 4.843 in

Depth 119 mm | 4.685 in

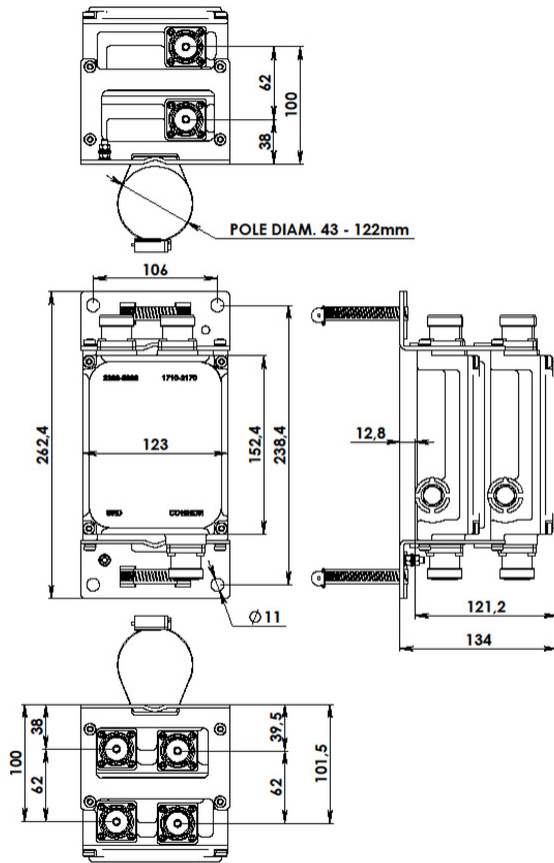
RF Connector Length 25 mm | 0.984 in

Ground Screw Diameter 6 mm | 0.236 in

Mounting Pipe Diameter Range 42.6–122 mm

Outline Drawing

E11F02P51



Electrical Specifications

Impedance 50 ohm

License Band, Band Pass AWS 1700 | DCS 1800 | IMT 2100 | IMT 2600 | PCS 1900 | WCS 2300

Electrical Specifications, dc Power/Alarm

dc/AISG Pass-through, combiner Branch 1

dc/AISG Pass-through, demultiplexer Branch 1

Lightning Surge Current 3 kA

Lightning Surge Current Waveform 10/350 waveform

Electrical Specifications

Sub-module

1 | 2

1 | 2

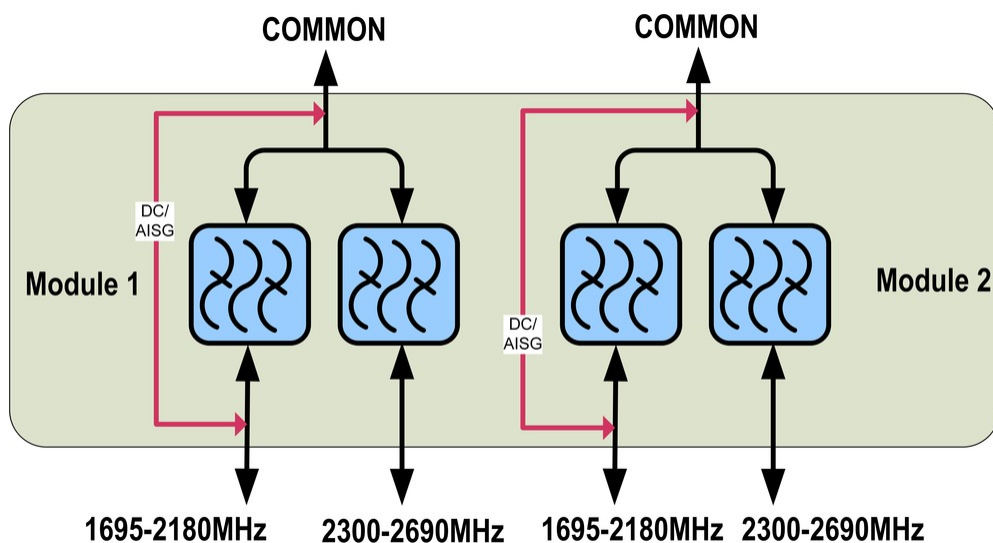
E11F02P51

Branch	1	2
Port Designation	1695-2180	2300-2690
License Band	AWS 1700, Band Pass DCS 1800, Band Pass IMT 2100, Band Pass PCS 1900, Band Pass	IMT 2600, Band Pass WCS 2300, Band Pass

Electrical Specifications, Band Pass

Frequency Range, MHz	1695–2180	2300–2690
Insertion Loss, typical, dB	0.3	0.35
Total Group Delay, maximum, ns	30	30
Return Loss, minimum, dB	18	18
Return Loss, typical, dB	20	20
Isolation, minimum, dB	50	50
Input Power, PEP, maximum, W	3500	3500
3rd Order PIM, typical, dBc	-160	-160
3rd Order PIM Test Method	Two +43 dBm carriers	Two +43 dBm carriers

Block Diagram



Environmental Specifications

Operating Temperature	-40 °C to +60 °C (-40 °F to +140 °F)
Relative Humidity	Up to 100%

E11F02P51

Corrosion Test Method IEC 60068-2-11, 30 days

Ingress Protection Test Method IEC 60529:2001, IP67

Packaging and Weights

Included Mounting hardware

Volume 2.3 L

Weight, net 3.8 kg | 8.378 lb