

E11F02P78



Twin Triplexer 700-800//900//1800-2600 MHz, DC Bypass on mid ports

- Industry leading PIM performance
- Designed for network modernization application, introduction of LTE700 and LTE800 on existing site
- dc/AISG pass-through on middle frequency ports
- Twin configuration

OBSOLETE

This product was discontinued on: July 1, 2022

Replaced By:

E14F10P08

Twin Triplexer 700-800//900//1800-2600 MHz, DC Bypass on all ports, with 4.3-10 connectors

Product Classification

Product Type Triplexer

General Specifications

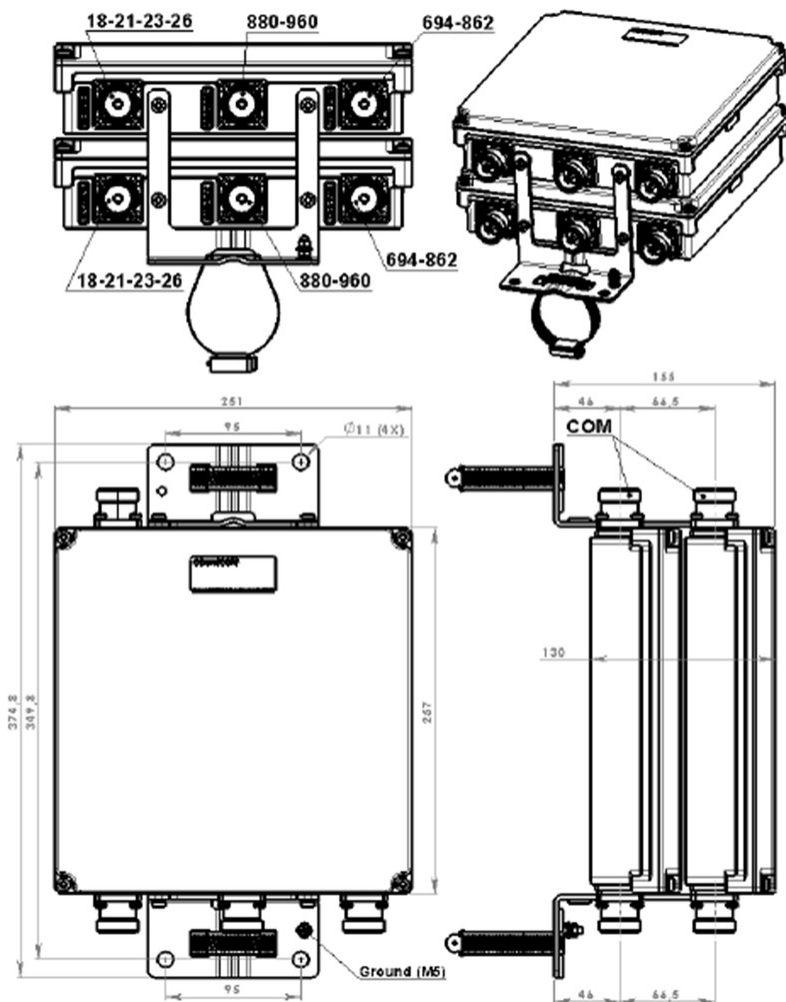
Product Family	CBC7926
Color	Gray
Common Port Label	COM
Modularity	2-Twin
Mounting	Pole Wall
Mounting Pipe Hardware	Band clamps (2)
RF Connector Interface	7-16 DIN Female
RF Connector Interface Body Style	Medium neck

Dimensions

Height	257 mm 10.118 in
Width	251 mm 9.882 in
Depth	130 mm 5.118 in
Mounting Pipe Diameter Range	42.6–122 mm

Outline Drawing

E11F02P78



Electrical Specifications

Impedance	50 ohm
License Band, Band Pass	APT 700 AWS 1700 CEL 900 DCS 1800 EDD 800 IMT 2100 IMT 2600 LMR 750 PCS 1900 USA 700 USA 750

Electrical Specifications, dc Power/Alarm

dc/AISG Pass-through, combiner	Branch 2
dc/AISG Pass-through, demultiplexer	Branch 2
Lightning Surge Current	5 kA
Lightning Surge Current Waveform	8/20 waveform

Electrical Specifications

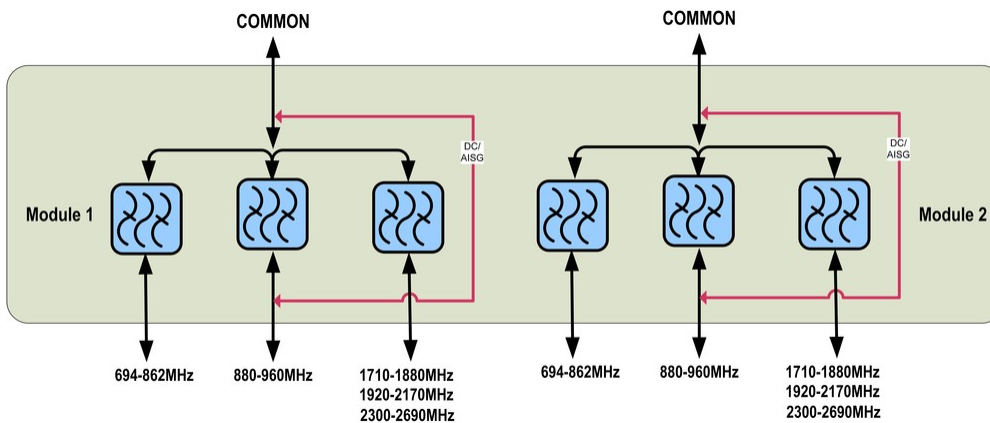
E11F02P78

Sub-module	1 2	1 2	1 2
Branch	1	2	3
Port Designation	DD2-800	900	18-21-23-26
License Band	APT 700, Band Pass EDD 800, Band Pass LMR 750, Band Pass USA 700, Band Pass USA 750, Band Pass	CEL 900, Band Pass	AWS 1700, Band Pass DCS 1800, Band Pass IMT 2100, Band Pass IMT 2600, Band Pass PCS 1900, Band Pass

Electrical Specifications, Band Pass

Frequency Range, MHz	694–862	880–960	1710–2690
Insertion Loss, typical, dB	0.35	0.3	0.35
Return Loss, minimum, dB	18	18	18
Return Loss, typical, dB	22	22	22
Isolation, minimum, dB	50	50	50
Input Power, RMS, maximum, W	300	300	300
Input Power, PEP, maximum, W	3000	3000	3000
3rd Order PIM, typical, dBc	-160	-160	-160
3rd Order PIM Test Method	Two +43 dBm carriers	Two +43 dBm carriers	Two +43 dBm carriers

Block Diagram



Environmental Specifications

Operating Temperature	-40 °C to +65 °C (-40 °F to +149 °F)
Relative Humidity	Up to 100%
Corrosion Test Method	IEC 60068-2-11, 30 days
Ingress Protection Test Method	IEC 60529:2001, IP67

E11F02P78

Packaging and Weights

Included	Mounting hardware
Volume	8.4 L
Weight, net	8.1 kg 17.857 lb

Regulatory Compliance/Certifications

Agency

ISO 9001:2015



Classification

Designed, manufactured and/or distributed under this quality management system