

## MPS100E Series Outlet Installation

### 1. General product information

The **CommScope®** MPS100E Series support Category 5e applications and are available in a variety of colors. These products are modular RJ45 to insulation displacement connectors (IDC). They are typically installed in faceplates at work locations and provide termination for the horizontal 4-pair cable at the IDC end, and workstation cord insertion at the RJ45 end.

Ordering information is listed below:

Material ID	Product Number	Description
108232695	MPS100E-BK	Cat 5e Outlet
108232703	MPS100E-OR	Cat 5e Outlet
108232711	MPS100E-YL	Cat 5e Outlet
108480484	MPS100E-CM	Cat 5e Outlet
108232729	MPS100E-GR	Cat 5e Outlet
108232737	MPS100E-IV	Cat 5e Outlet
108232745	MPS100E-WH	Cat 5e Outlet
108232752	MPS100E-GY	Cat 5e Outlet
108232760	MPS100E-RD	Cat 5e Outlet
108232778	MPS100E-BL	Cat 5e Outlet
108337726	MPS100E-VL	Cat 5e Outlet

### 2. Tools required

- HI Impact tool using M110 blade
- Pliers

### 3. Outlet Wiring Installation steps

#### Step 1 – Termination

- 1.1 Start at cable entrance to ensure optimum transmission performance.
- 1.2 Wire the module from the center to the outside and do not untwist paired conductors more than 1/4 inch (6.3mm).

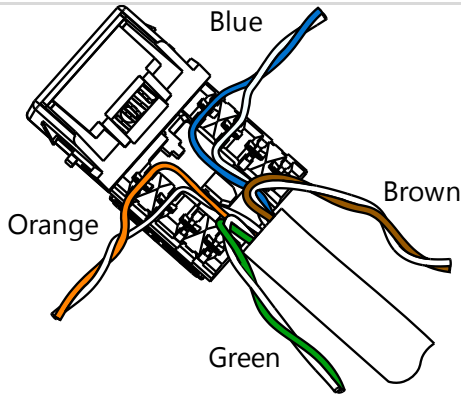


Figure A

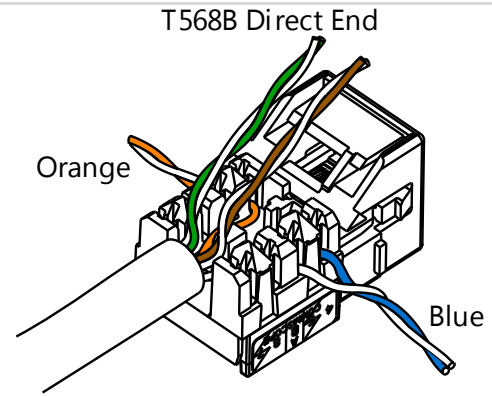


Figure B

1. For T568B Wiring (shown), align cable end so that Green and Orange pairs are on the left side of the pair duct and Blue and Brown pairs are on the right side. (Figure A)
2. Pull pairs into the outlet until jacket end is snug against rear housing.

3. Open and place the two pairs at the bottom of the duct. This example shows the Direct end of the cable with Orange and Blue pairs in position, but this will vary for each cable end and for T568A wiring terminations. (Figure B)

4. Open and place the top pairs, which in this example are Brown and Green. For the cap to fit correctly, the pairs should stay on either side of the center block. (Figure C)

**Note:** Pairs stay to their sides and no crossovers are needed.

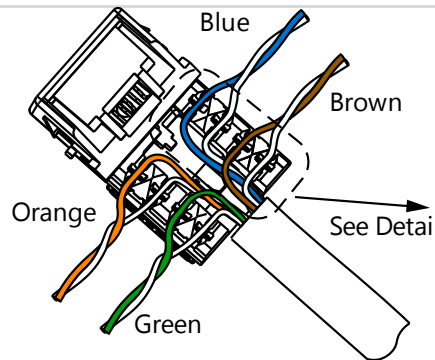
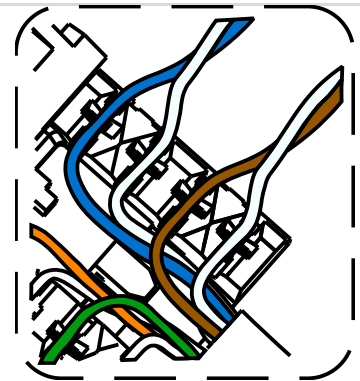


Figure C



5. On the reverse cable end, the Green and Brown pairs are placed first in the bottom of the duct as shown. (Figure D)

#### Reverse End Cable Placement

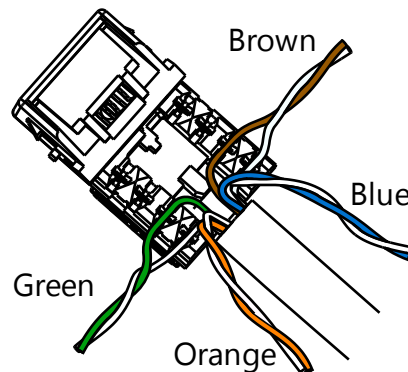
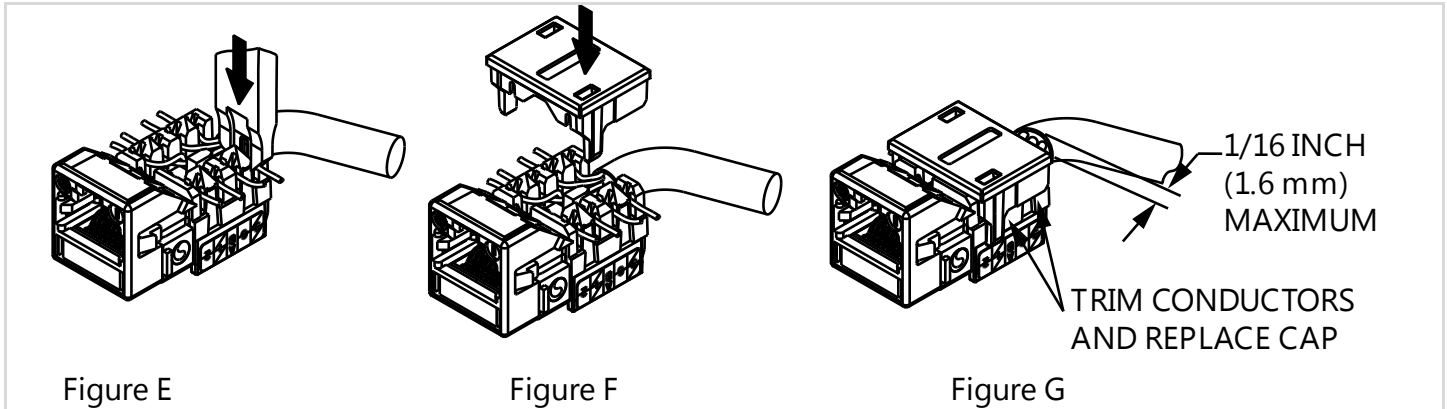


Figure D



## Step 2 – Seating

2.1 Use impact tool with M110 blade on HI impact setting to seat conductors (Figure E).

OR

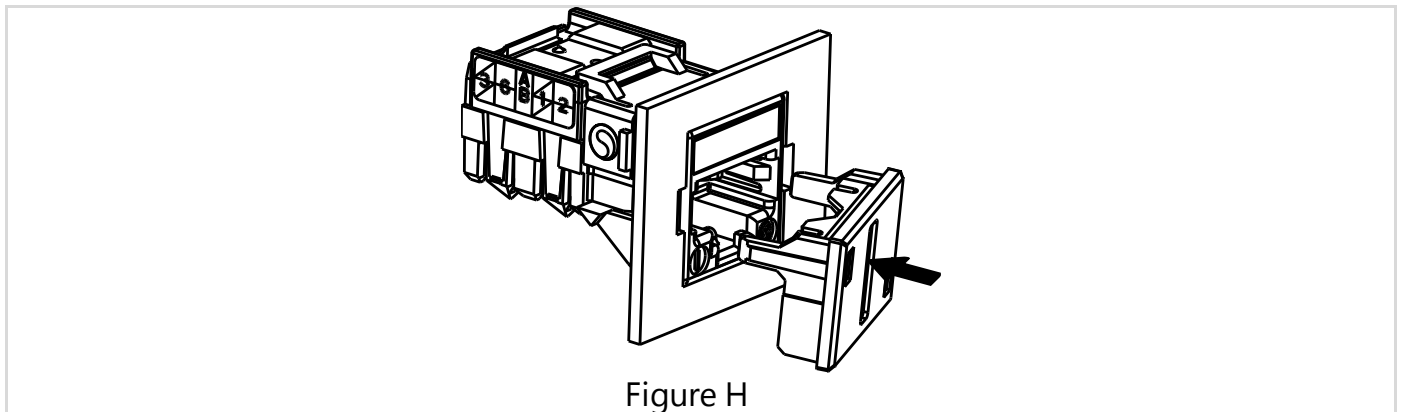
Use pliers with insertion cap to seat conductors (Figure F).

2.2 Remove cap, trim conductors back flush with outlet, discard cut pieces, and replace cap (Figure G).

## 4. Outlet Removal from Faceplate or Mounting Box

4.1 Insert prongs of cap into openings at sides of module and press firmly (Figure H).

4.2 Pull module out from back.



## Revision history

- Rev. A – Initial release.
- Rev B – Updated wire termination layout.