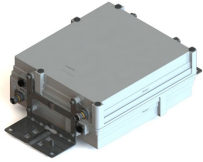


E14R00P49



Dual Band Tower Mounted Amplifier, 700//900 MHz, 12 dB, 2 BTS & 2 ANT ports, AISG with 1 RET connector (1 device with 2 sub-units), with 4.3-10 connectors

- New 4.3-10 connectors for improved PIM performance and size reduction
- TMA is operating in AISG & CWA mode, Alarm Current consumption CWA mode 190 mA
- 2 input ports and 2 output ports
- Designed to boost UP-Link Coverage and KPIs
- Automatic LNA by-pass function
- Connectors “in line”
- Single AISG with 1 RET connector
- 1 device with 2 sub-units
- Built in lightning protection

Product Classification

Product Type 1-BTS:1-ANT (Uniplex) | Tower mounted amplifier

General Specifications

Color Gray

Modularity 2-Twin

Mounting Pipe Hardware Band clamps (2)

RF Connector Interface 4.3-10 Female

Dimensions

Height 140 mm | 5.512 in

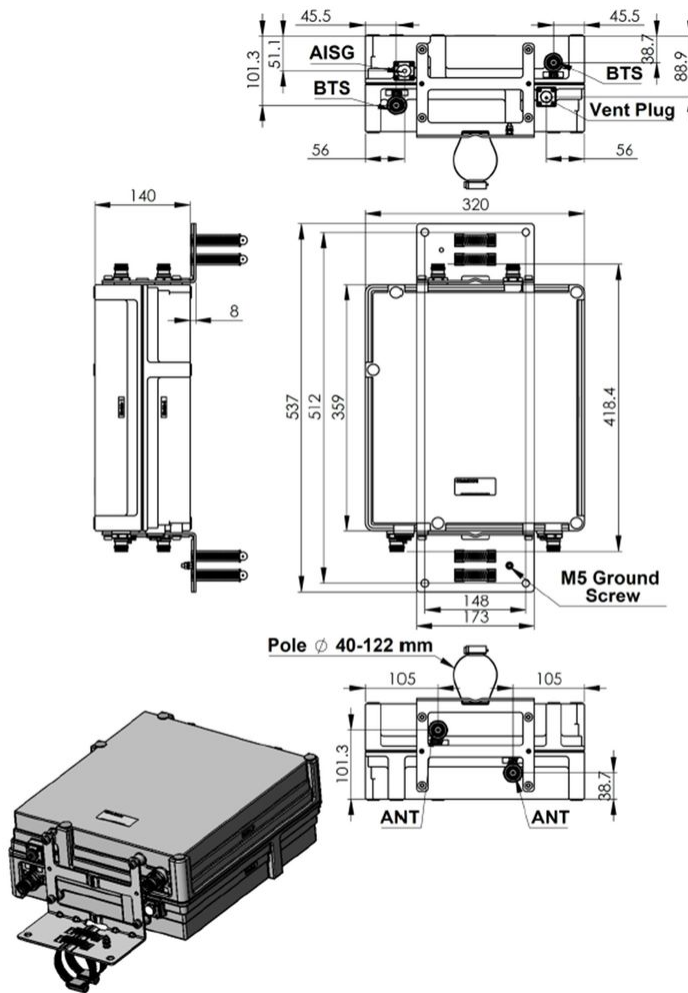
Width 320 mm | 12.598 in

Depth 359 mm | 14.134 in

Mounting Pipe Diameter Range 42.6–122 mm

Outline Drawing

E14R00P49



Electrical Specifications

License Band, LNA APT 700 | CEL 900

Electrical Specifications, dc Power/Alarm

dc Switching/Redundancy Yes

Lightning Surge Current 10 kA

Lightning Surge Current Waveform 8/20 waveform

Alarm Current, CWA Mode 190 mA \pm 10 mA

Electrical Specifications, AISG

AISG Connector 8-pin DIN Female

AISG Connector Standard IEC 60130-9

E14R00P49

Protocol	AISG 2.0
Voltage, AISG Mode	10–30 Vdc

Electrical Specifications

Sub-module	1 2	1 2
Branch	1	2
Port Designation	ANT 700	ANT 900
License Band	APT 700, LNA	CEL 900, LNA

Electrical Specifications Rx (Uplink)

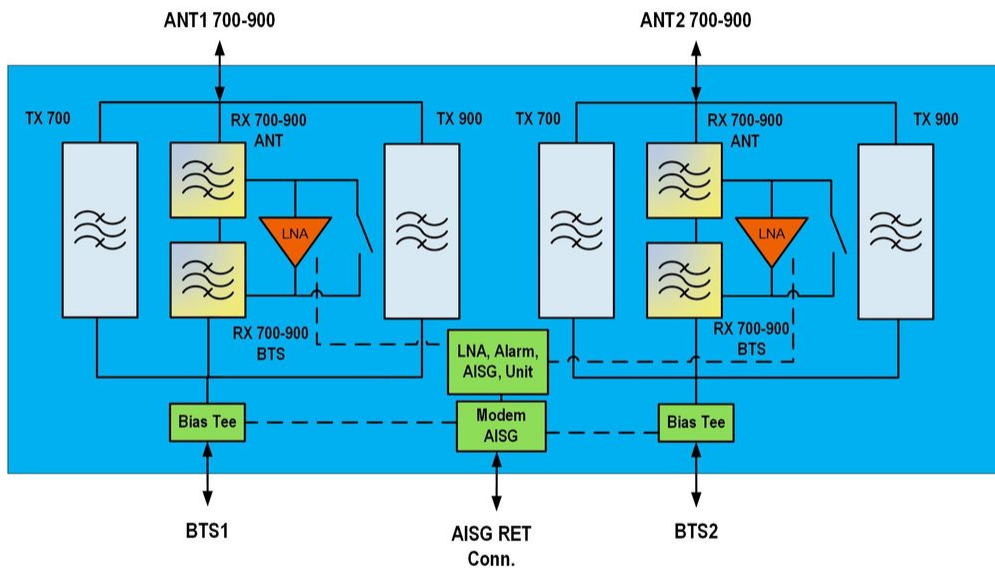
Frequency Range, MHz	703–748	890–915
Bandwidth, MHz	45	25
Gain, nominal, dB	13	13
Gain Tolerance, dB	+0.75/-0.75	
Noise Figure, maximum, dB	2	2
Noise Figure, typical, dB	1.2	1.5
Group Delay Variation, maximum, ns	120	70
Group Delay Variation Bandwidth, MHz	5	5
Total Group Delay, maximum, ns	160	100
Return Loss, minimum, dB	16	16
Return Loss, typical, dB	20	20
Insertion Loss - Bypass Mode, typical, dB	1.5	2.2
Return Loss - Bypass Mode, typical, dB	14	14

Electrical Specifications Tx (Downlink)

Frequency Range, MHz	758–803	935–960
Bandwidth, MHz	45	25
Insertion Loss, typical, dB	0.5	0.4
Total Group Delay, maximum, ns	65	55
Return Loss, minimum, dB	18	18
Return Loss, typical, dB	22	22
Input Power, RMS, maximum, W	200	200
Input Power, PEP, maximum, W	2500	2500
3rd Order PIM, typical, dBc	-153	-153
3rd Order PIM Test Method	Two +43 dBm carriers	Two +43 dBm carriers

E14R00P49

Block Diagram



Environmental Specifications

Operating Temperature	-40 °C to +65 °C (-40 °F to +149 °F)
Relative Humidity	Up to 100%
Corrosion Test Method	IEC 60068-2-11, 30 days
Ingress Protection Test Method	IEC 60529:2001, IP67

Packaging and Weights

Included	Mounting hardware
Volume	16.1 L
Weight, net	16.2 kg 35.715 lb

E14R00P49

Weight, without mounting hardware

15 kg | 33.069 lb

* Footnotes

License Band, LNA

License Bands that have RxUplink amplification