

# 760173310



## RBA72-36 Battery Cabinet, 48V, VRLA/TEC

- Reduced power consumption through thermoelectric cooling
- Reduced maintenance; no compressor or filters
- Single, bulk busbar assembly
- Sealed to outside environment
- Double wall construction

### Product Classification

**Product Type** Power back-up enclosure

### General Specifications

**Access** Rear panels (2)

**Batteries** Not included

**Batteries Supported** 180 A-h batteries

**Cabinet Type** Battery back-up cabinet

**Color** Gray

**Cooling** Thermoelectric cooling

### Dimensions

**Height** 1,828.8 mm | 72 in

**Height, Battery** 320.04 mm | 12.6 in

**Width** 914.4 mm | 36 in

**Width, Battery** 124.46 mm | 4.9 in

**Depth** 990.6 mm | 39 in

**Depth, Battery** 558.8 mm | 22 in

### Electrical Specifications

**Alarm Output** Circuit breaker | High temperature | Intrusion | Thermoelectric cooling

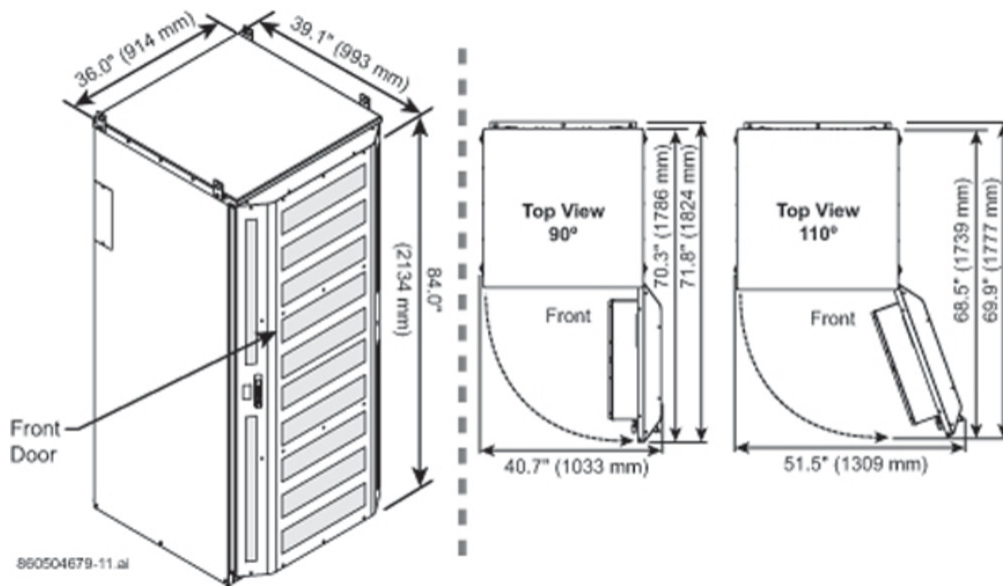
**Battery String Current, maximum** 1080 A-h @ -48 Vdc

**Battery Strings, quantity** 6 @ -48 Vdc

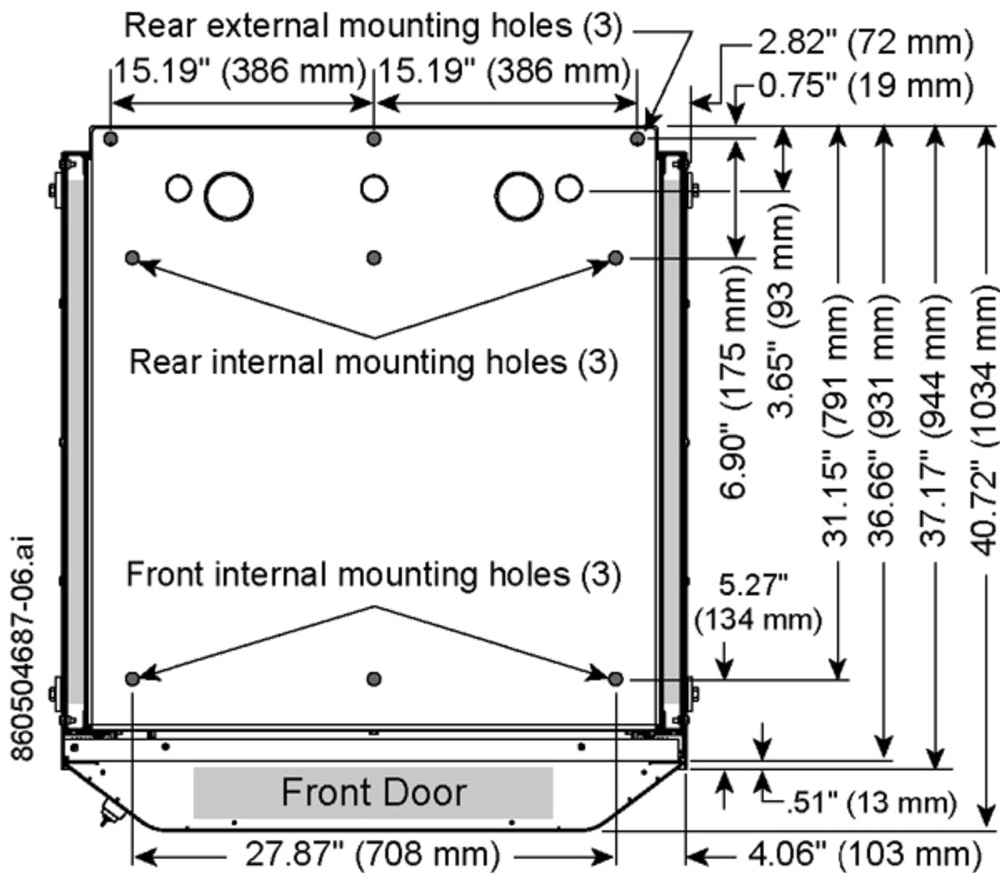
**Voltage** -48 Vdc

### Cabinet Dimensions and Door Clearances

# 760173310



## Cabinet Mounting



# 760173310

---

## Material Specifications

**Finish** Powder coated

## Environmental Specifications

**Qualification Standards** Telcordia GR-487

## Packaging and Weights

**Weight, net** 294.835 kg | 650 lb

**Weight, with batteries, typical** 1,769.01 kg | 3900 lb

## Regulatory Compliance/Certifications

### Agency

ISO 9001:2015

### Classification

Designed, manufactured and/or distributed under this quality management system

