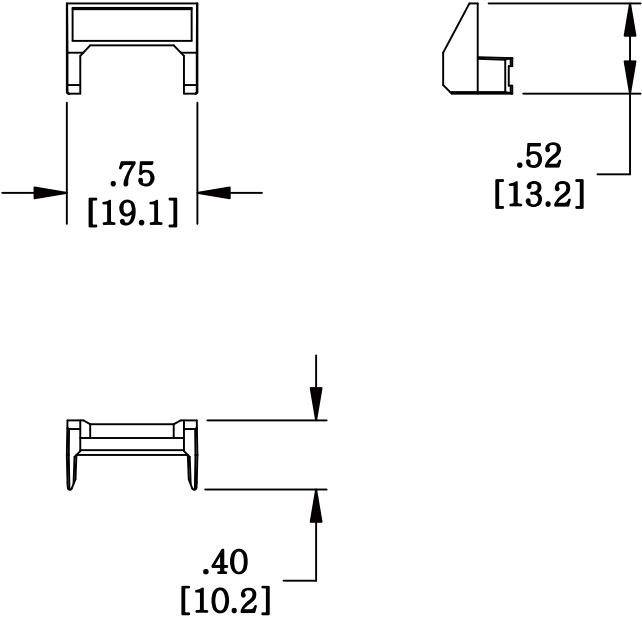


MATERIAL ID	DESCRIPTION
107296378	M60 TELEPHONE INFORMATION OUTLET ICON INSERT,WHITE

NOTES:

- SEE SYSTIMAX CATALOG FOR PART NUMBER SUFFIXES TO INDICATE COLOR/PKG.
- SEE SYSTIMAX CATALOG FOR COMPLETE LIST OF PARTS RELATED TO THE USE OF THIS PRODUCT.
- DIMENSIONS IN PARENTHESES ARE IN METRIC.
- PART INCLUDES:  
(1) OUTLET ICON INSERT,WHITE



M60A-262
<b>COMMSCOPE, INC</b> OF NORTH CAROLINA
<b>SYSTIMAX® SOLUTIONS</b>

REV	DATE	ECR	DESCRIPTION	APPROVED BY	DATE	DWG NO
1	05/30/11		INITIAL ISSUE		05/30/2011	107296378