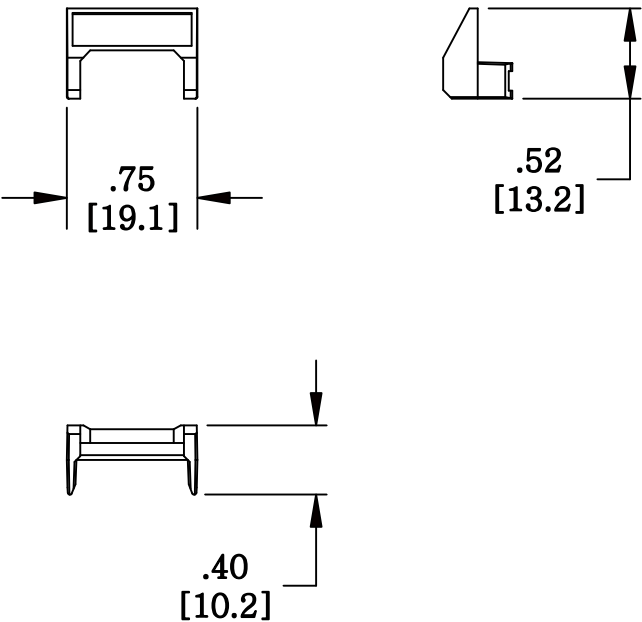


MATERIAL ID	DESCRIPTION
107296576	M60 COMPUTER INFORMATION OUTLET ICON INSERT, YELLOW

NOTES:

1. SEE SYSTIMAX CATALOG FOR PART NUMBER SUFFIXES TO INDICATE COLOR/PKG.
2. SEE SYSTIMAX CATALOG FOR COMPLETE LIST OF PARTS RELATED TO THE USE OF THIS PRODUCT.
3. DIMENSIONS IN PARENTHESES ARE IN METRIC.
4. PART INCLUDES:
(1) OUTLET ICON INSERT, YELLOW



M60C-123	
COMMSCOPE, INC OF NORTH CAROLINA	
SYSTIMAX® SOLUTIONS	

REV	DATE	ECR	DESCRIPTION	APPROVED BY	DATE	DWG NO
1	05/31/11		INITIAL ISSUE		05/31/2011	107296576