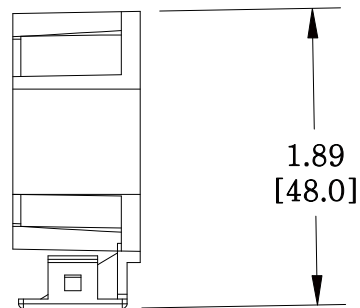
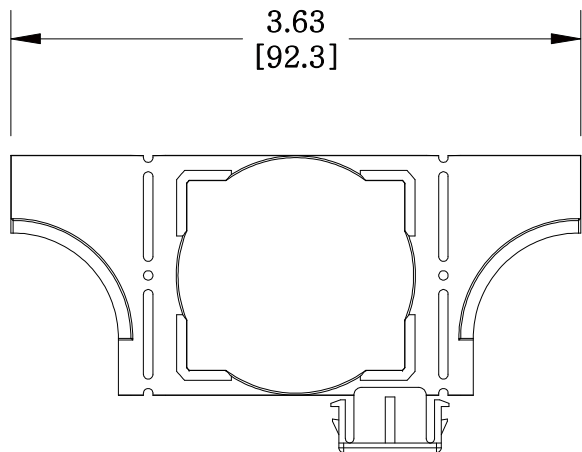
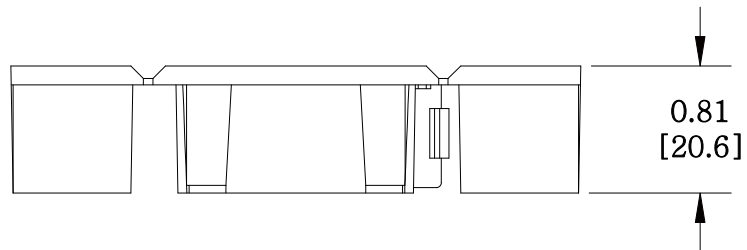


MATERIAL ID	DESCRIPTION
107431512	FIBER ORGANIZER FOR 100 SERIES SURFACE MOUNT BOX



NOTES:

1. SEE COMMSCOPE CATALOG FOR PART NUMBER SUFFIXES TO INDICATE COLOR/PKG.
2. SEE COMMSCOPE CATALOG FOR COMPLETE LIST OF PARTS RELATED TO THE USE OF THIS PRODUCT.
3. DIMENSIONS IN PARENTHESES ARE IN METRIC.
4. PART INCLUDES:
(1) MOUNT BOX

SMBFG	
COMMSCOPE, INC OF NORTH CAROLINA	
DRAWN BY DJ	DWG NO 107431512
APPROVED BY XX	DATE 8/3/2012

REV	DATE	ECR	DESCRIPTION	APPROVED BY
1	8/3/12		INITIAL ISSUE	XX