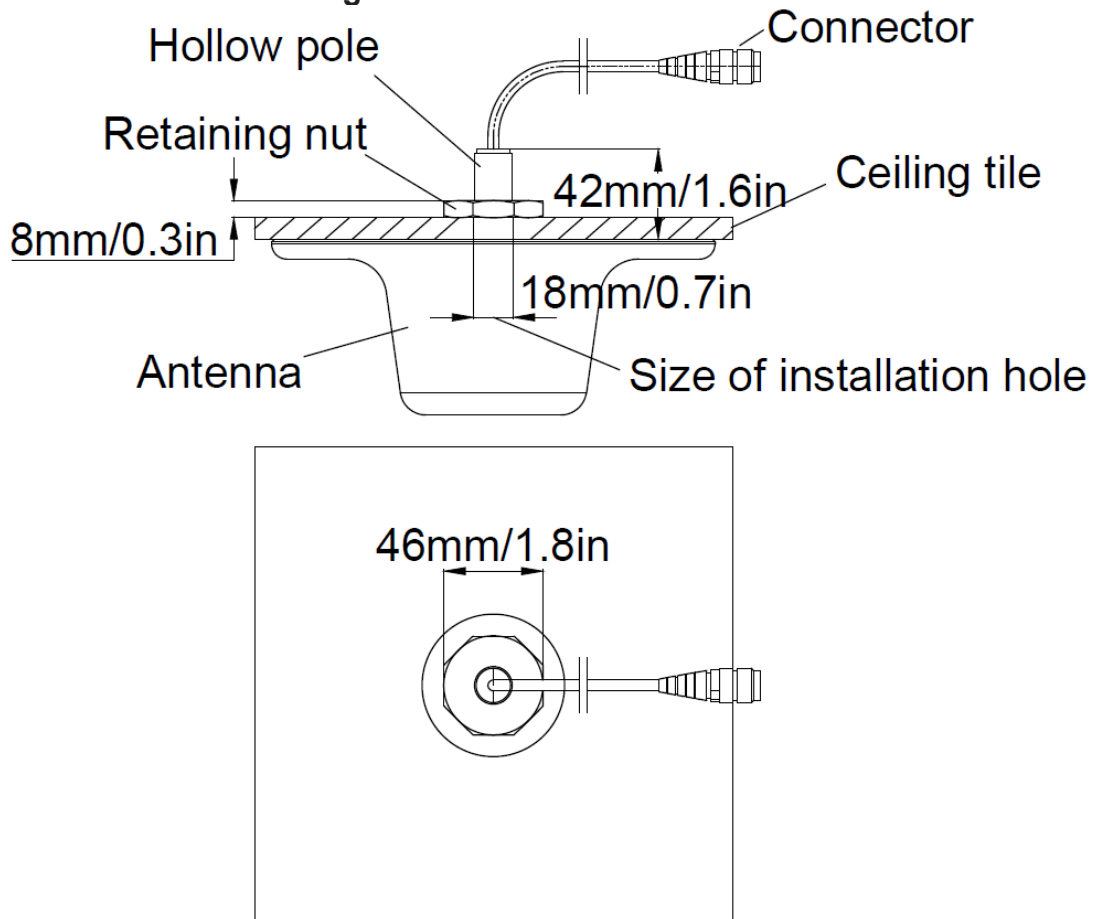


Installation of CMAX-O-CPUSEWV53 / CMAX-O-UW-I53 Antennas

Note: Please read the complete description before starting the installation. Make sure that connectors are properly sealed against water if no cables are connected to them after installation.

Installation without the Ceiling Mount kit:



Installation Steps

- 1) Cut a hole in the ceiling tile with the diameter shown above.
- 2) Remove the retaining nut from the back of the antenna (labeled tight part for connector in the diagram above).
- 3) Feed the pigtail of the antenna through the hole in the ceiling tile.
- 4) Re-install the retaining nut so that it is snug against the ceiling tile.

Note

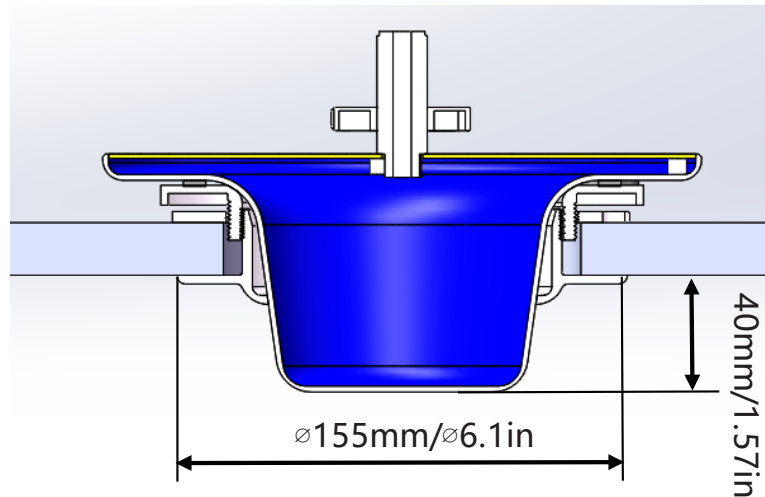
- 1) Cable min. bending radius: 40mm
- 2) For massive/hard ceilings, please use Hard Ceiling Mounting Kit 7705125 which serves to guide the jumper to the side. For this kit, a separate instruction (M0149AWx) is available:



Installation with the Ceiling Mount kit, part number 7760591:

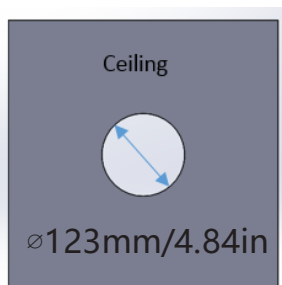
Description:

Through Omni antenna mounting kit conceals the antenna with only the nose protruding through the ceiling. The base plate is hidden above the false ceiling which results in a 50% reduction of the visible antenna footprint.

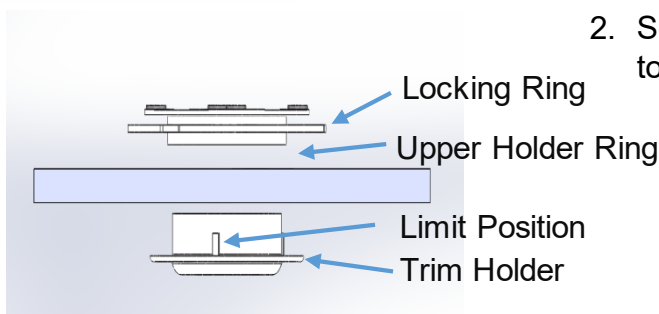


Ceiling thickness	12-24mm/0.47-0.94in
Environmental conditions	Indoor
Weight	152g
ROHS	Compliant

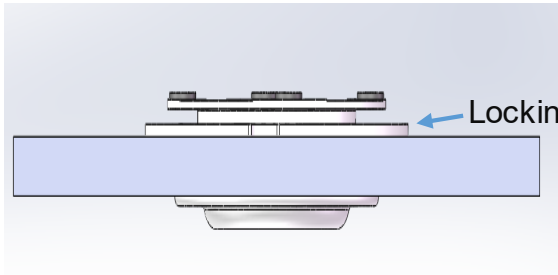
Installation Steps:



1. Cut a hole with a diameter of $\varnothing 123\text{mm}/4.84\text{in}$ into the ceiling where the antenna is supposed to be installed.



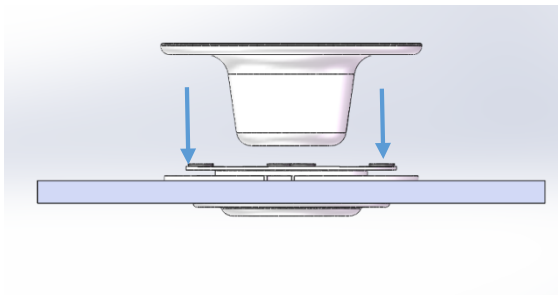
2. Screw trim holder and upper holder together through the hole in the ceiling.



3. Adjust the locking ring to fasten the antenna mount to the ceiling.



4. Remove the four films on the surface of the mounting tape.



5. Attach the radome to the upper holder as outlined to the left.

Version	Changes	Release Date
M0149ABA		15-November-2016
M0149ABB	- part number for ceiling mount kit added	22-November-2016
M0149ABC	- CMAX-O-UW-i53, bending radius, and mounting kit added	04-May-2020

© Copyright 2020 CommScope, Inc.

All rights reserved.

All information contained in this manual has been revised thoroughly. Yet CommScope accepts no liability for any omissions or faults.

CommScope reserves the right to change all hardware and software characteristics without notice.

Names of products mentioned herein are used for identification purposes only and may be trademarks and / or registered trademarks of their respective companies.

No parts of this publication may be reproduced, stored in a retrieval system, transmitted in any form or by any means, electronic, mechanical photocopying, recording or otherwise, without prior written permission of the publisher.

CommScope, 04-May-2020