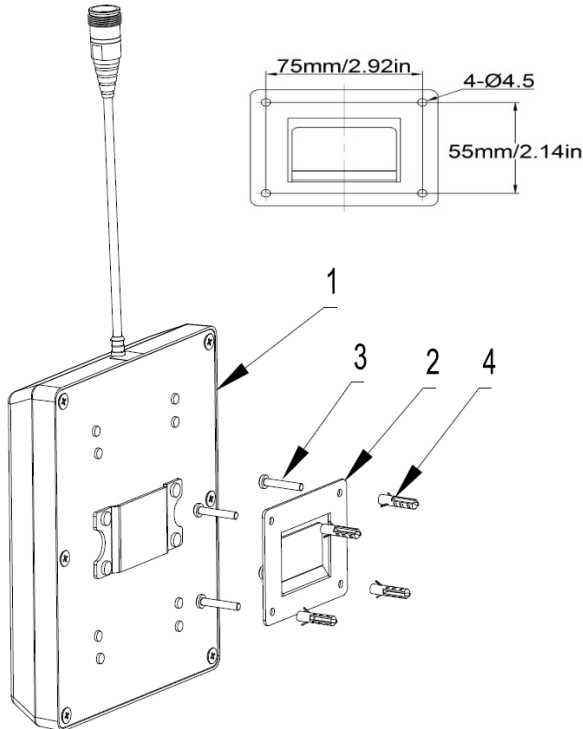


## INSTALLATION INSTRUCTION FOR CELLMAX-D-43I



### Installation Steps

- 1) Drill four holes in wall per pattern of holes in plate (item 2) shown above.
- 2) Attach flat side of plate (item 2) to wall using wall anchors (item 4 plastic plug  $\varnothing 6 \times 25 \text{mm}$ ) and screws (item 3 tapping screw  $\text{ST}4.2 \times 25 \text{mm}$ ).
- 3) Mount antenna (item 1), to plate (item 2).
- 4) Connect RF cable.

**Note:** Cable min. bending radius: 40mm

This document is a specification. No disclosure or reproduction of the information or drawings shall be made for any purpose without the prior written consent of CommScope. Use of the information contained herein to fabricate or assemble any item in whole or in part is expressly prohibited.

© Copyright 2020 CommScope, Inc.  
All rights reserved.

All information contained in this manual has been revised thoroughly. Yet CommScope accepts no liability for any omissions or faults.

CommScope reserves the right to change all hardware and software characteristics without notice.

Names of products mentioned herein are used for identification purposes only and may be trademarks and / or registered trademarks of their respective companies.

No parts of this publication may be reproduced, stored in a retrieval system, transmitted in any form or by any means, electronic, mechanical photocopying, recording or otherwise, without prior written permission of the publisher.

CommScope, 04-May-2020