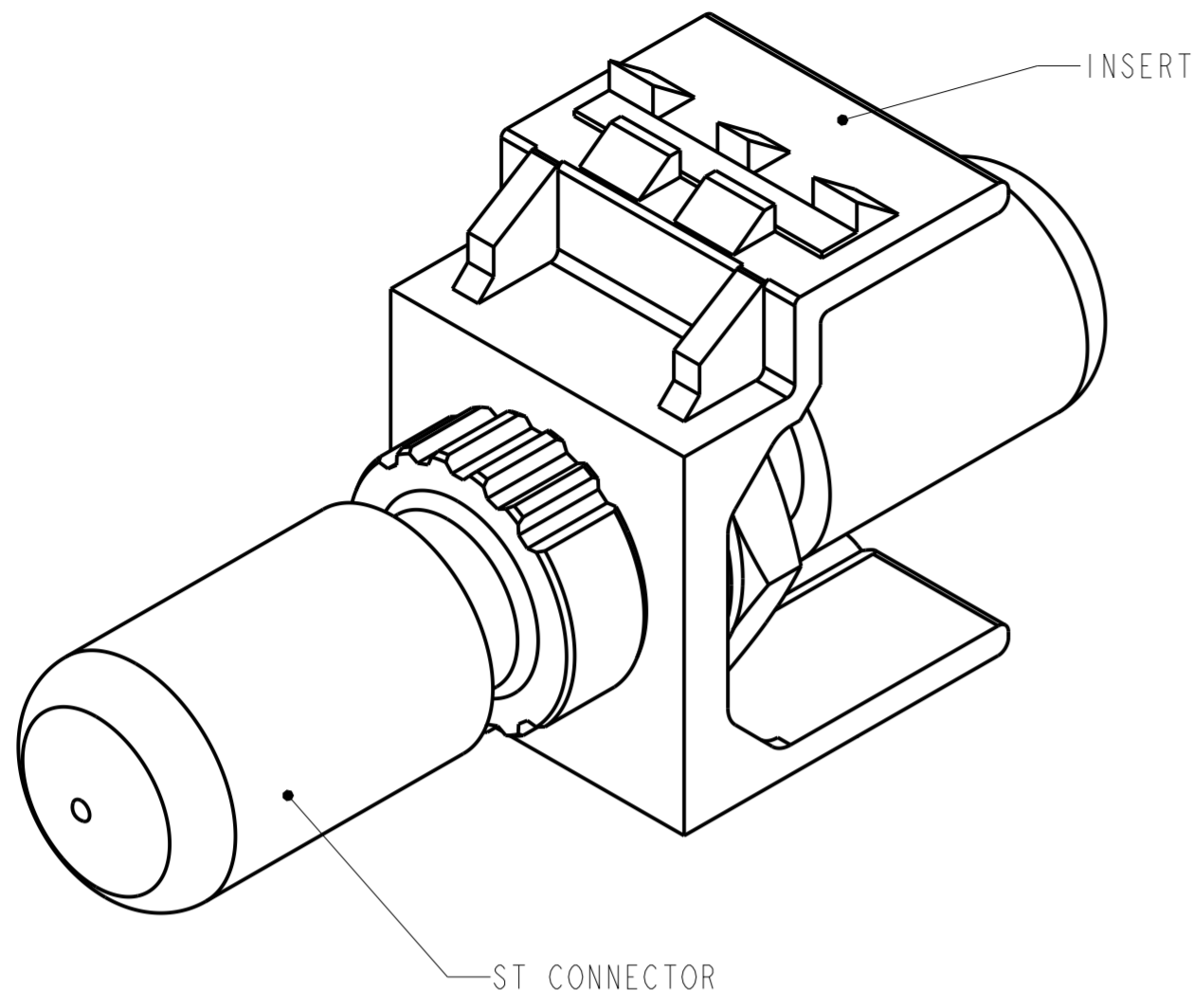
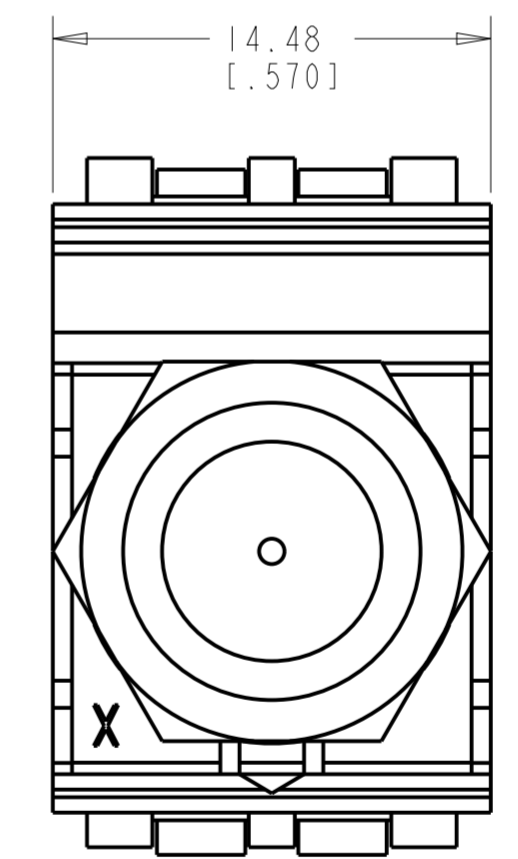
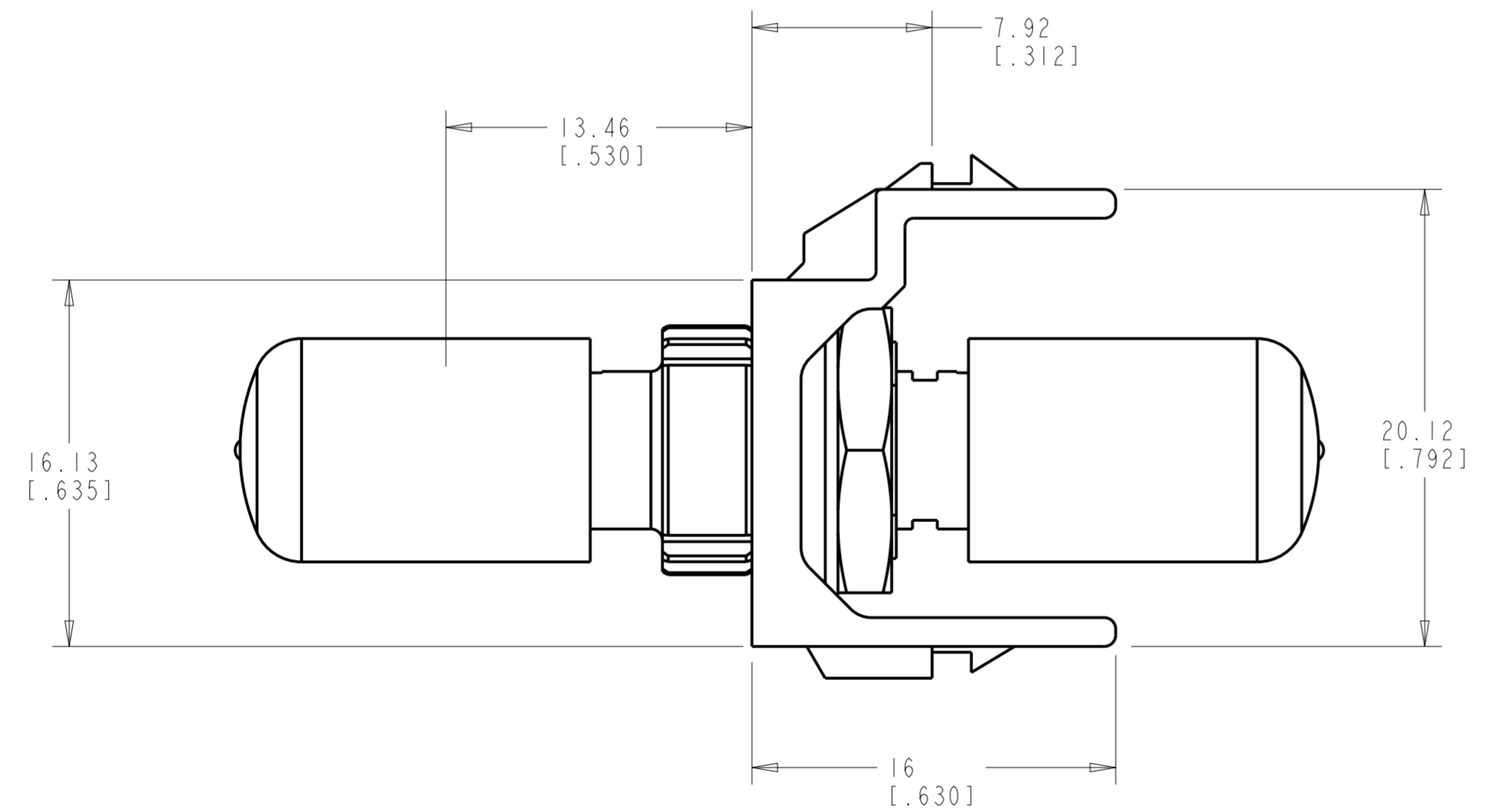


THIS DRAWING IS UNPUBLISHED. RELEASED FOR PUBLICATION  
 © 2016 COMMSCOPE, INC. CONFIDENTIAL NOTICE: THESE DRAWINGS AND SPECIFICATIONS ARE THE PROPRIETARY PROPERTY OF COMMSCOPE, INC. AND MAY BE USED ONLY FOR THE SPECIFIC PURPOSE AUTHORIZED IN WRITING BY COMMSCOPE, INC.

REVISIONS				
P	LTR	DESCRIPTION	DATE	APVD
C		ECO-13-007599	06MAY2013	JM RA
D		REV PER BNS_CD_BRAND	09FEB2017	GG DC



△ MATERIAL:  
 INSERT: POLYCARBONATE MOLDING COMPOUND.  
 SEE TABLE FOR COLOR.  
 CONNECTOR: NICKEL PLATED ZINC.



ALPINE WHITE	I-1339123-3
BLACK	1339123-2
LT ALMOND	1339123-1
COLOR	PART NO

THIS DRAWING IS A CONTROLLED DOCUMENT.		DWN T. PITTS 15SEP99	<b>COMMSCOPE, INC.</b>	
DIMENSIONS: mm (INCHES)		CHK R. MARTIN 19NOV99		
TOLERANCES UNLESS OTHERWISE SPECIFIED:		APVD R. MARTIN 09DEC99	NAME KIT, ST CONNECTOR, INSERT	
0 PLC ±	1 PLC ±	PRODUCT SPEC	- SL SERIES	
2 PLC ±.13 [.005]	3 PLC ±	APPLICATION SPEC	SIZE CAGE CODE DRAWING NO RESTRICTED TO	
4 PLC ±	ANGLES ±	WEIGHT	A2	G-1339123
MATERIAL	FINISH	CUSTOMER DRAWING	SCALE 4:1	SHEET 1 OF 1 REV D