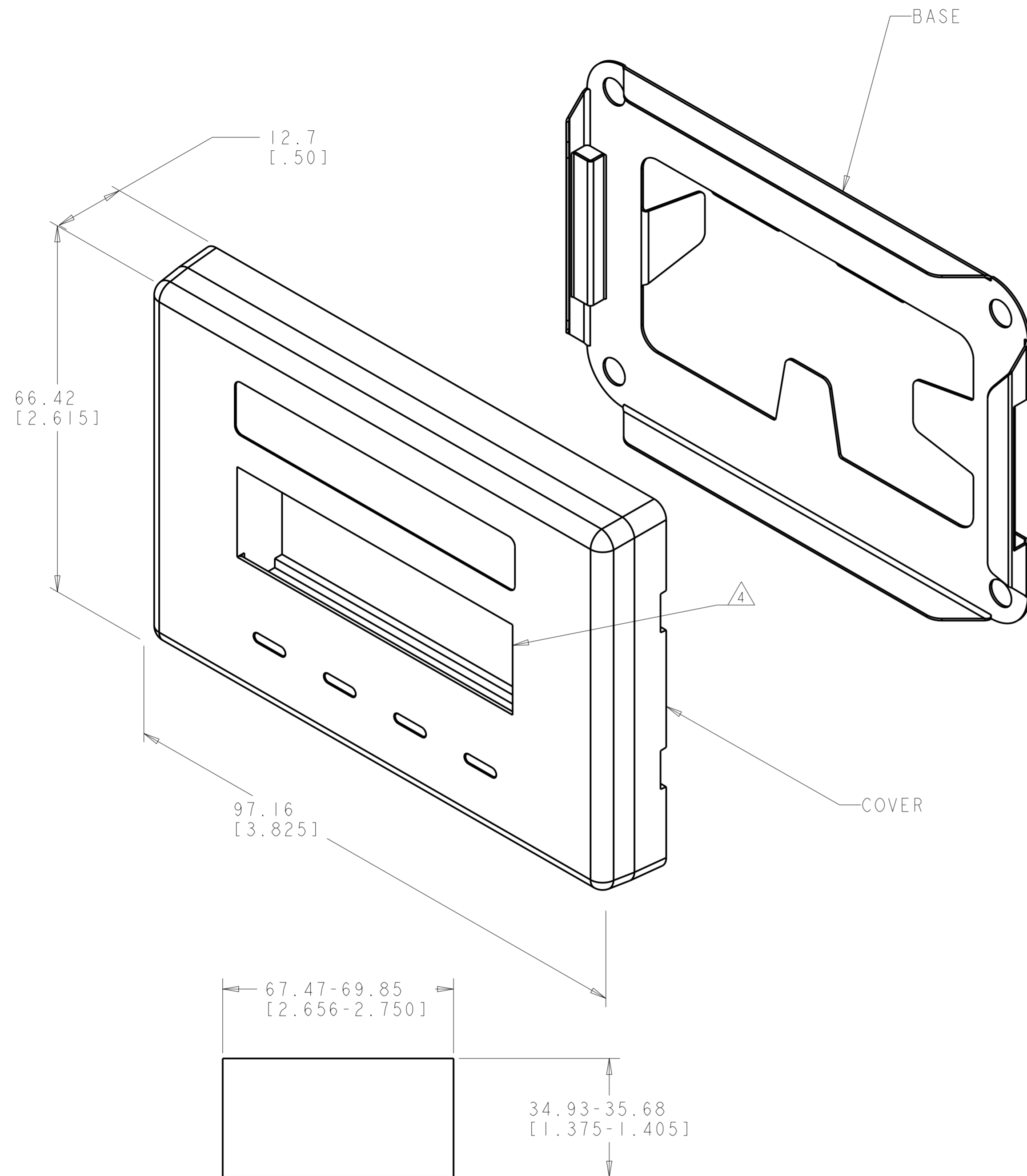


THIS DRAWING IS UNPUBLISHED. RELEASED FOR PUBLICATION
 © 2016 COMMScope, INC. CONFIDENTIAL NOTICE: THESE DRAWINGS AND SPECIFICATIONS ARE THE PROPRIETARY PROPERTY OF COMMScope, INC. AND MAY BE USED ONLY FOR THE SPECIFIC PURPOSE AUTHORIZED IN WRITING BY COMMScope, INC.

REVISIONS				
P	LTR	DESCRIPTION	DATE	APVD
D		REV ECO-13-020024	20DEC2013	GG RA
E		REV PER BNS_CD_BRAND	09FEB2017	GG DC



- 1. MATERIAL: COVER - ABS MOLDING COMPOUND, SEE TABLE FOR COLOR.
BASE - GALVANIZED CARBON STEEL.
- 2. KIT SHIPPED UNASSEMBLED.
- 3. DIMENSIONS SHOWN ARE NOMINAL UNLESS OTHERWISE SPECIFIED.
- 4. COVER WILL ACCEPT A COMBINATION OF FOUR SL TOOLLESS JACKS, MT-RJ FIBER OPTIC JACKS OR MULTIMEDIA INSERTS.
- 5. REFER TO INSTRUCTION SHEET 408-8397 FOR INSTALLATION PROCEDURES.

ALPINE WHITE	I-1375005-3
NEMA GRAY	1375005-4
WHITE	1375005-3
BLACK	1375005-2
LT ALMOND	1375005-1
COLOR	PART NUMBER

THIS DRAWING IS A CONTROLLED DOCUMENT.		DWN L HALL 23AUG2000	COMMScope, INC.															
DIMENSIONS: mm [INCHES]		CHK G BOWMAN 23AUG2000																
TOLERANCES UNLESS OTHERWISE SPECIFIED:		APVD G BOWMAN 23AUG2000																
<table border="1"> <tr><td>0 PLC</td><td>±</td></tr> <tr><td>1 PLC</td><td>±</td></tr> <tr><td>2 PLC</td><td>±</td></tr> <tr><td>3 PLC</td><td>±</td></tr> <tr><td>4 PLC</td><td>±</td></tr> <tr><td>ANGLES</td><td>±</td></tr> <tr><td>FINISH</td><td>±</td></tr> </table>		0 PLC	±	1 PLC	±	2 PLC	±	3 PLC	±	4 PLC	±	ANGLES	±	FINISH	±	PRODUCT SPEC -	NAME ASSEMBLY, FURNITURE OUTLET SMALL BASE	RESTRICTED TO -
0 PLC	±																	
1 PLC	±																	
2 PLC	±																	
3 PLC	±																	
4 PLC	±																	
ANGLES	±																	
FINISH	±																	
MATERIAL -	△	APPLICATION SPEC 408-8397	SIZE A2	CAGE CODE -														
Customer Drawing		WEIGHT -	DRAWING NO G-1375005	SCALE 2:1														
			SHEET 1	OF 1														
			REV E															