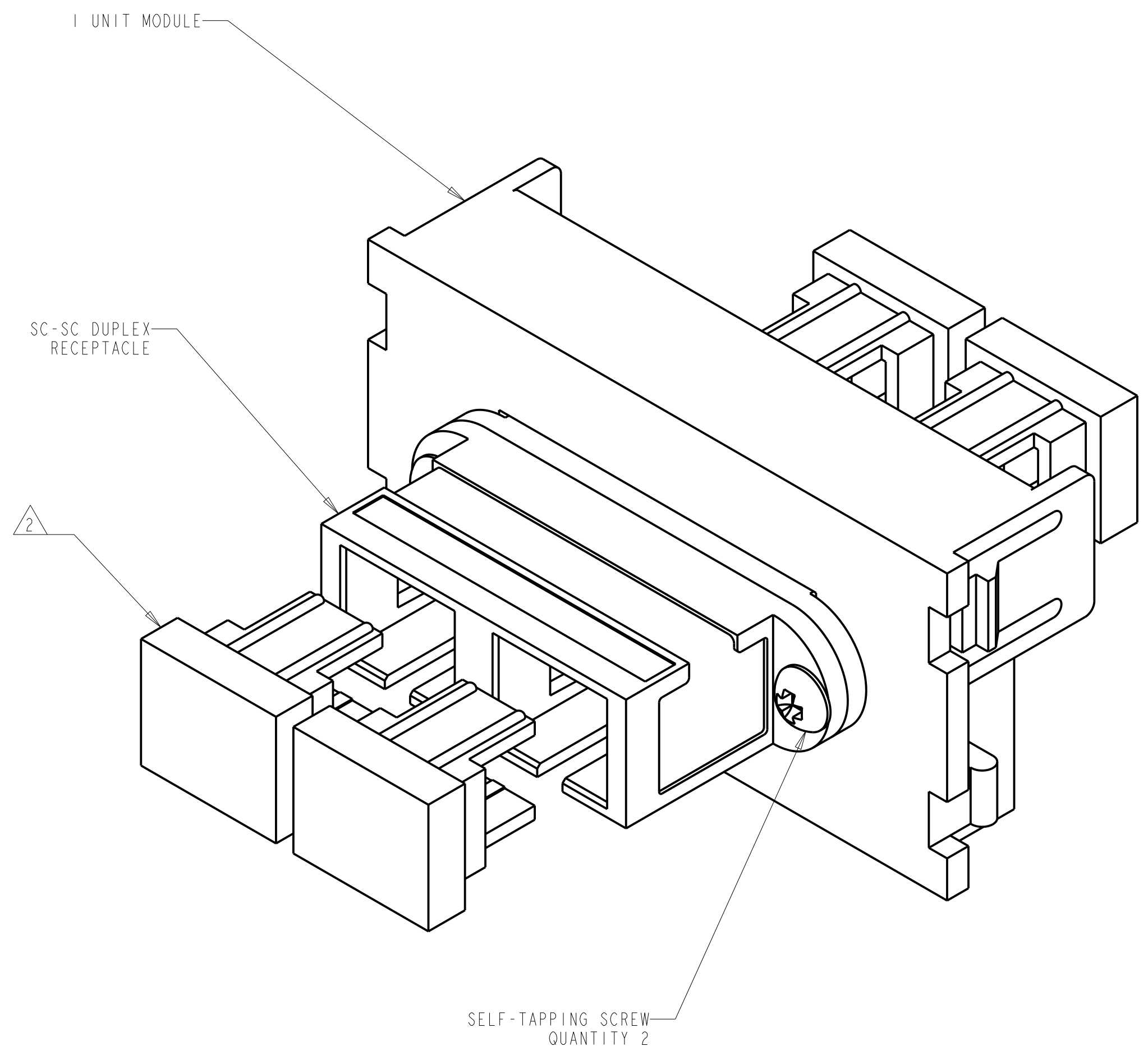


THIS DRAWING IS UNPUBLISHED. RELEASED FOR PUBLICATION
 © 2016 COMMSCOPE, INC. CONFIDENTIAL NOTICE: THESE DRAWINGS AND SPECIFICATIONS ARE THE PROPRIETARY PROPERTY OF COMMSCOPE, INC. AND MAY BE USED ONLY FOR THE SPECIFIC PURPOSE AUTHORIZED IN WRITING BY COMMSCOPE, INC.

REVISIONS				
P	LTR	DESCRIPTION	DATE	APVD
	G	REV PER BNS_CD_BRAND	09FEB2017	GG DC



- 1 MATERIAL: MODULE - ABS MOLDING COMPOUND, 94V-0 RATED.
RECEPTACLE - PPE MOLDING COMPOUND, 94V-0 RATED.
DUST COVERS - THERMOPLASTIC RUBBER, BLACK.
SCREWS - ZINC PLATED CARBON STEEL.
- 2 DUST COVERS SHIPPED ASSEMBLED.

ALPINE WHITE	1-1375123-3
NEMA GRAY	1375123-4
WHITE	1375123-3
BLACK	1375123-2
LIGHT ALMOND	1375123-1
COLOR	PART NUMBER

THIS DRAWING IS A CONTROLLED DOCUMENT.		DWN G GARRETT 27APR00	COMMSCOPE, INC.													
DIMENSIONS: mm [INCHES]		CHK G BOWMAN 27APR00														
TOLERANCES UNLESS OTHERWISE SPECIFIED:		APVD G BOWMAN 27APR00														
<table border="1"> <tr><td>0 PLC</td><td>±</td></tr> <tr><td>1 PLC</td><td>±</td></tr> <tr><td>2 PLC</td><td>±</td></tr> <tr><td>3 PLC</td><td>±</td></tr> <tr><td>4 PLC</td><td>±</td></tr> <tr><td>ANGLES</td><td>±</td></tr> <tr><td>FINISH</td><td>-</td></tr> </table>		0 PLC			±	1 PLC	±	2 PLC	±	3 PLC	±	4 PLC	±	ANGLES	±	FINISH
0 PLC	±															
1 PLC	±															
2 PLC	±															
3 PLC	±															
4 PLC	±															
ANGLES	±															
FINISH	-															
MATERIAL -		APPLICATION SPEC -	NAME MODULE ASSEMBLY, SC-SC STYLE DUPLEX RECEPTACLE, 1 UNIT, SL SERIES													
		WEIGHT -	SIZE A2													
		Customer Drawing	CAGE CODE G-1375123													
			DRAWING NO G-1375123													
			RESTRICTED TO -													
			SCALE 2:1 SHEET 1 OF 1 REV G													