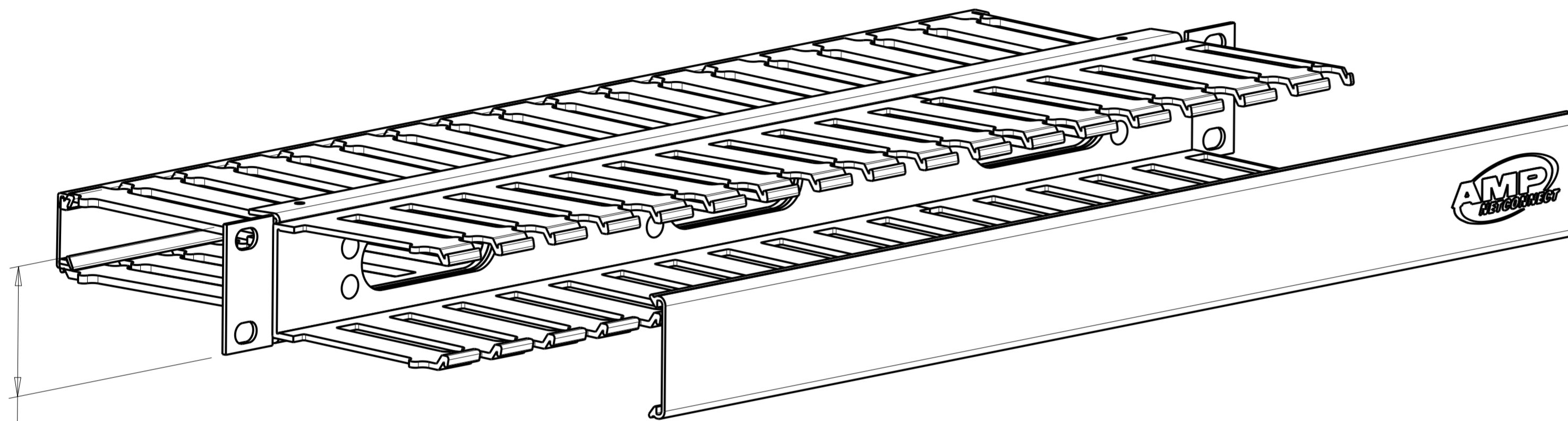


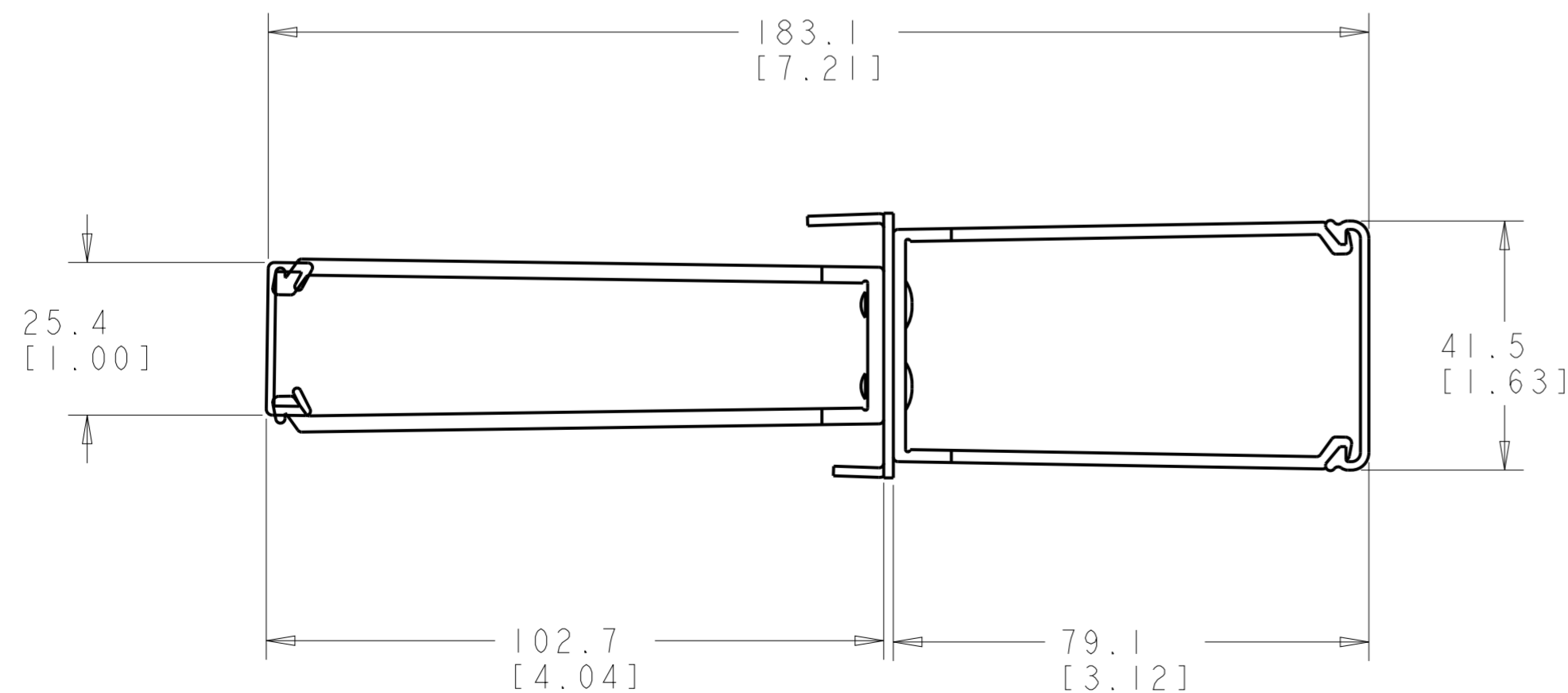
THIS DRAWING IS UNPUBLISHED. RELEASED FOR PUBLICATION
 © 2016 COMMSCOPE, INC. CONFIDENTIAL NOTICE: THESE DRAWINGS AND SPECIFICATIONS ARE THE PROPRIETARY PROPERTY OF COMMSCOPE, INC. AND MAY BE USED ONLY FOR THE SPECIFIC PURPOSE AUTHORIZED IN WRITING BY COMMSCOPE, INC.

REVISIONS				
P	LTR	DESCRIPTION	DATE	APVD
0		RELEASED; NPR NSD00-047	31 JUL 2000	LS SH
A		REV; EC 0B40-0312-01	04 DEC 01	GG SH
B		REV; ECO-10-002359	08 FEB 2010	GG SH
C		REV PER BNS_CD_BRAND	09 FEB 2017	GG DC

1. MATERIAL: MATERIAL: ASSEMBLY - BLACK POWDER COAT CARBON STEEL, AND PVC, BLACK, MATTE FINISH.
2. ALL DIMENSIONS ARE NOMINAL UNLESS OTHERWISE NOTED.



44.04
[1.734]



511.18 [20.125]	1375159-2
438.15 [17.25]	1375159-1
FRONT COVER LENGTH	PART NUMBER

THIS DRAWING IS A CONTROLLED DOCUMENT.		DWN L SMITH 09-FEB-2017	COMMSCOPE, INC.	
DIMENSIONS: MM [INCHES]		CHK S HERNDON 10AUG2000		
TOLERANCES UNLESS OTHERWISE SPECIFIED:		APVD B DAVIS 10AUG2000	NAME PANEL, CABLE MANAGEMENT, 1.75 D, FRONT AND REAR	
0 PLC ±	1 PLC ±	PRODUCT SPEC -	SIZE A2	CAGE CODE G-1375159
2 PLC ±	3 PLC ±	APPLICATION SPEC -	SCALE 1:5	SHEET 1 OF 1
4 PLC ±	ANGLES ±	WEIGHT -	CUSTOMER DRAWING	REV C
MATERIAL -	FINISH -			