

20

RELEASED FOR PUBLICATION

ALL RIGHTS RESERVED.

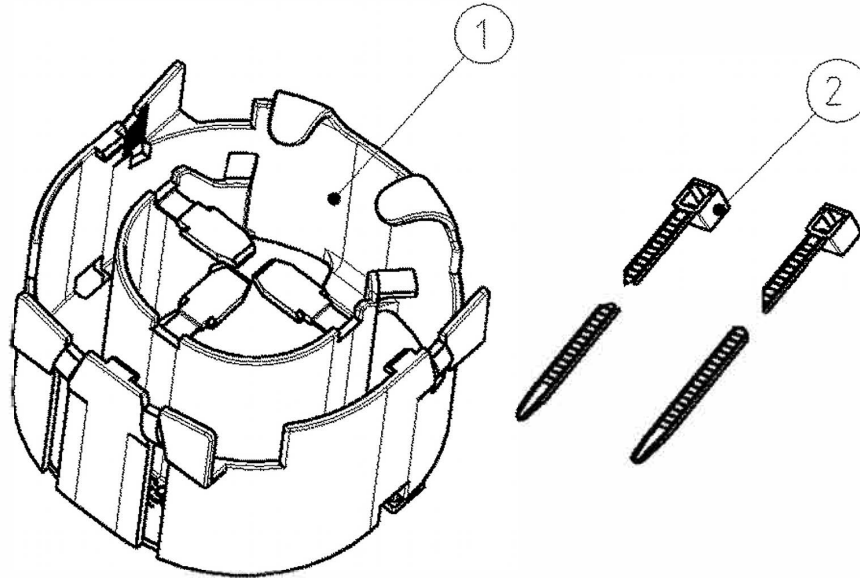
BY - COMMSCOPE INC.

© COPYRIGHT 20

THIS DRAWING IS UNPUBLISHED.

REVISIONS

P	LTR	DESCRIPTION	DATE	DWN	APVD
A2		BOM QTY changed	28OCT2013	HB	W VH
B		ECN 8000019768-REBRANDING	03 FEB 2017	SC	JD



Minimum order quantity 10 pcs:  
 (1 cable holder and 2 cable ties packed in one poly bag)

QTY	PART NUMBER	DESCRIPTION	ITEM
2	4-160968-1	CABLE TIE	2
1	1355394-1	CABLE HOLDER	1

DIMENSIONS: mm		DWN H.BLEUS 28OCT2013	MATERIAL	FINISH
TOLERANCES UNLESS OTHERWISE SPECIFIED:		CHK K.DAUW 28OCT2013	<b>COMMSCOPE, INC.</b>	
0 PLC ± 1 PLC ± 2 PLC ± 3 PLC ± 4 PLC ± ANGLES ±1		APVD W.VANHILEGHEM 28OCT2013		
PRODUCT SPEC		NAME CABLE HOLDER KIT		
APPLICATION SPEC		SIZE A 4	CAGE CODE -	DRAWING NO C-1534332
WEIGHT		RESTRICTED TO -		
Customer Drawing		SCALE	SHEET 1 OF 1	REV B

