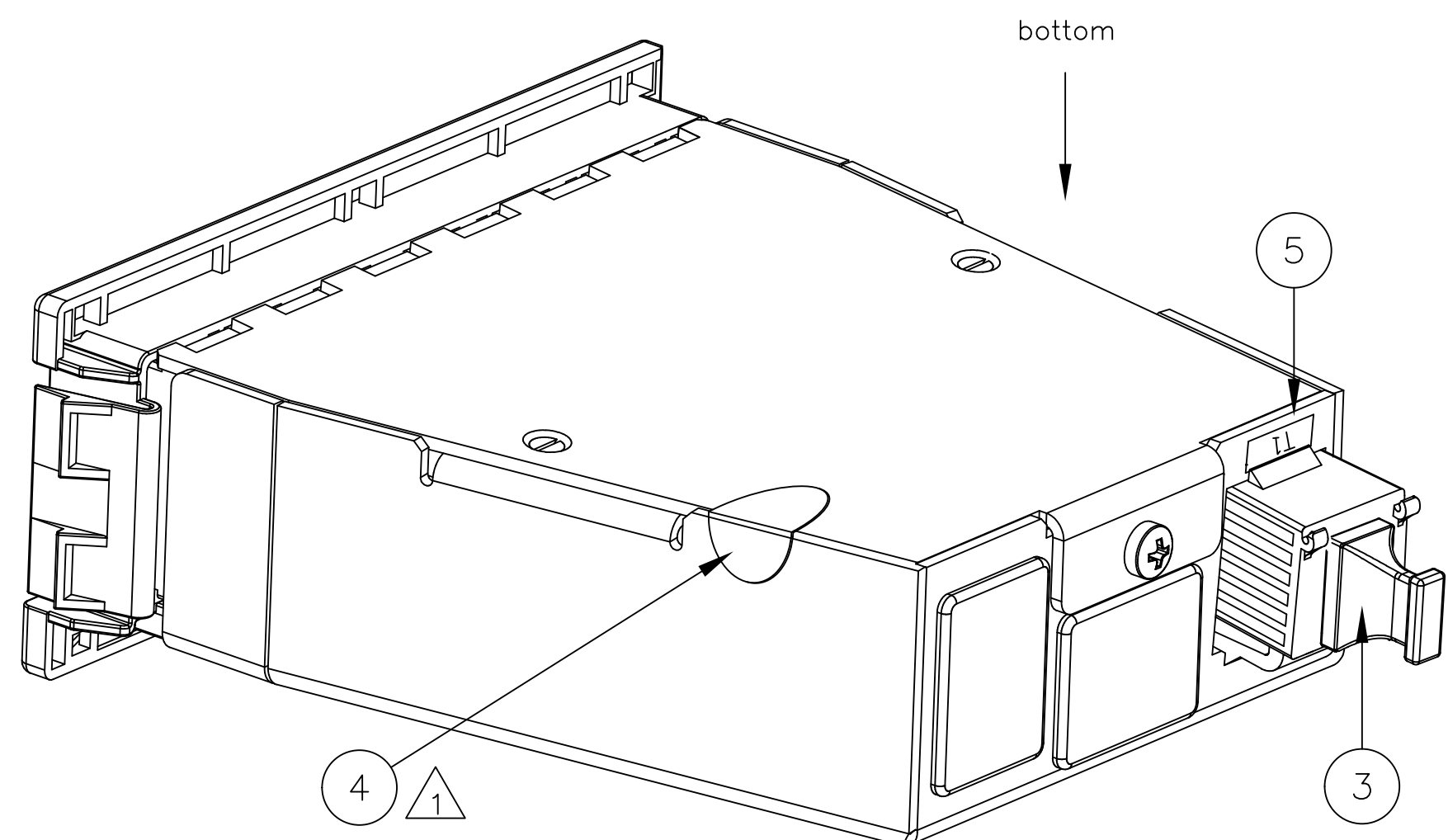
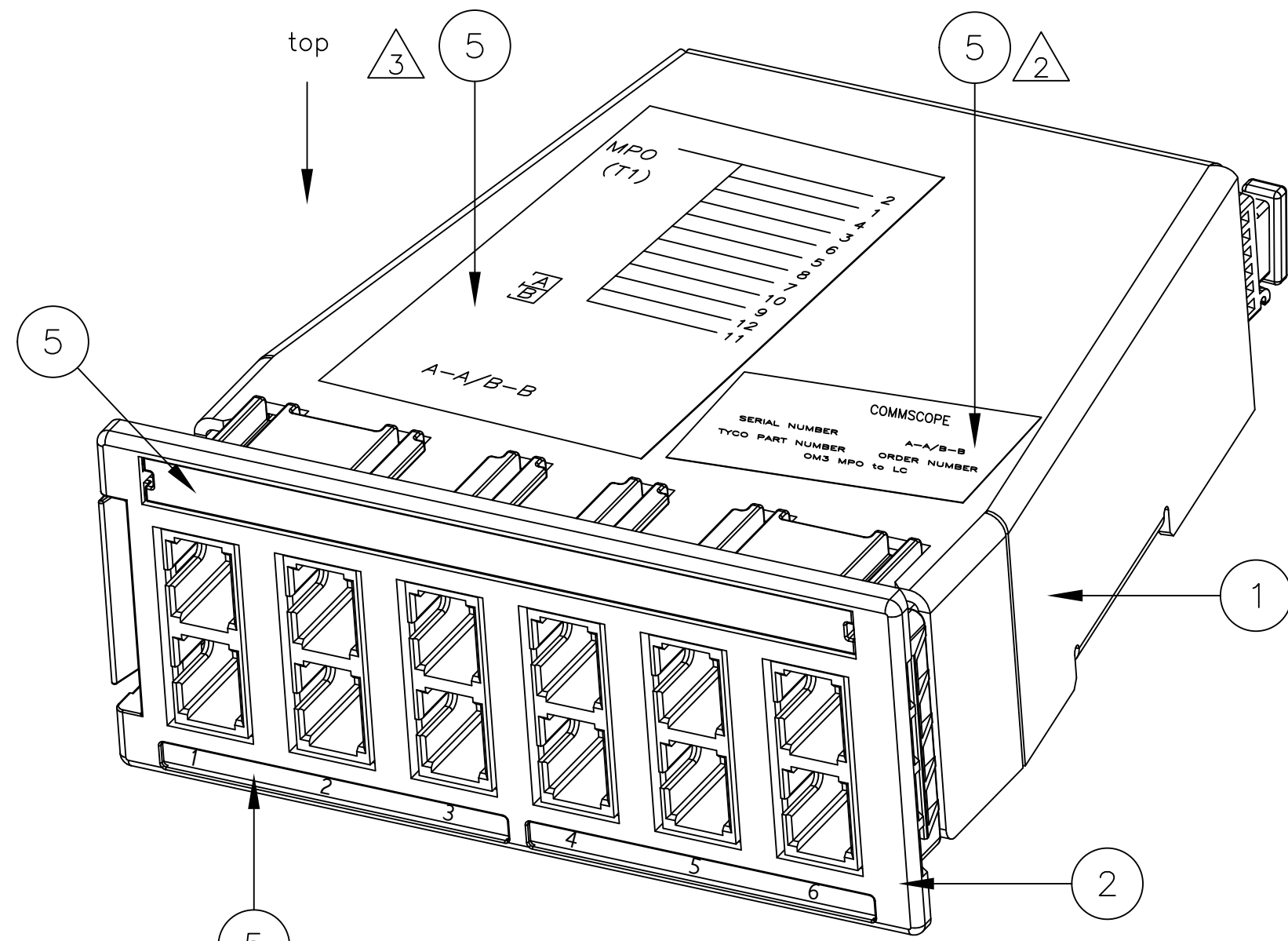


THIS DRAWING IS UNPUBLISHED. RELEASED FOR PUBLICATION
 © 2016 Commscope, INC. Confidential NOTICE: These drawings and specifications are the proprietary property of COMMSCOPE, INC. and may be used only for the specific purpose authorized in writing by COMMSCOPE, INC.

LOC		DIST		REVISIONS			
P	LTR	DESCRIPTION	DATE	DWN	APVD		
A		INITIAL ISSUE	10032010	MO	MO		
B		ECN 8000018218 REBRANDING	18012017	RCR	SC		



front view / top
 SC DUSTCAPS NOT SHOWN IN THIS VIEW

back view / bottom

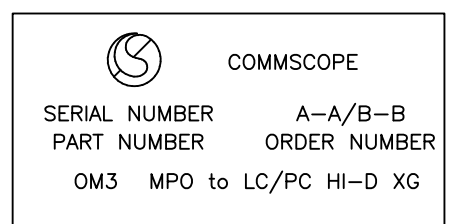
OPTICAL PERFORMANCE FOR CASSETTES

- PERFORMANCE EXCEEDS REQUIREMENTS I.S. 11801, TIA/EIA 568.B3
- ATTENUATION MEASURED ACCORDING I.E.C. 61300-3-4; WITH MODAL CONDITION ACCORDING TO: IS 14763-3, OFSTP-14, IEC 61280-4-1
- RETURN LOSS MEASURED ACCORDING I.E.C. 61300-3-6; WITH MODAL CONDITION ACCORDING TO: IS 14763-3, OFSTP-14, IEC 61280-4-1

FOR OM3 XG: ATTENUATION ≤ 0,35dB*, MEASURED BETWEEN REFERENCE CONNECTORS AT 850 nm
 (MM50) RETURN LOSS ≥ 27dB, MEASURED BETWEEN REFERENCE CONNECTORS AT 850 nm

* CASSETTE LOSS: EACH CASSETTE CONTAINS 2 CONNECTIONS PER FIBER CHANNEL

- 1 WARRANTY VOID IF SEAL IS BROKEN
- 2 LABEL INFORMATION: EXAMPLE:
 - COMMSCOPE LOGO
 - SERIAL NUMBER
 - COMMSCOPE PART NUMBER
 - "A-A/B-B" OR "A-B/B-A"
 - ORDER NUMBER
 - FIBER TYPE & CONNECTOR TYPE
- 3 INFORMATION LABEL FOR FIBER PATH
- 4 TEST RESULT SHEET SUPPLIED WITH EACH INDIVIDUALLY PACKED CASSETTE



PART NUMBER		PART NUMBER	
STRAIGHT A-A/B-B	TYPE	PAIR FLIPPED A-B/B-A	
1671228-3	MM50 (OM3) XG	1-1671228-3	

Qty	Description	Item
5	INFORMATION LABEL	5
1	FOAC WARRANTY LABEL	4
1	MPO ADAPTER WITH DUST CAP	3
1	INTERFACE HOUSING WITH 6 DUPLEX SC ADAPTERS, AQUA	2
1	QUICK-FIT CASSETTE MODULE WITH COVER, BLACK	1

THIS DRAWING IS A CONTROLLED DOCUMENT.		DWN M.A.H Oppers 10-03-2010	COMMSCOPE, INC.	
		CHK T.v.d Meuler 10-03-2010		
		APVD M.A.H Oppers 10-03-2010		
		PRODUCT SPEC		
DIMENSIONS: mm		TOLERANCES UNLESS OTHERWISE SPECIFIED:		NAME
0 PLC ± -		1 PLC ± -		MPOOptimate QUICK-FIT
2 PLC ± -		3 PLC ± -		MPO - 6 X SC/PC DUPLEX XG
3 PLC ± -		4 PLC ± -		
4 PLC ± -		ANGLES ± -		SIZE A2
MATERIAL -		FINISH -		CAGE CODE -
		WEIGHT -		DRAWING NO C=1671228
		CUSTOMER DRAWING		RESTRICTED TO -
		SCALE NTS		SHEET 1 of 2
				REV B

USE OF MPOOptimate VARIANT RECOMMENDED FOR HIGH CONNECTIVITY APPLICATIONS

1671228

THIS DRAWING IS UNPUBLISHED.

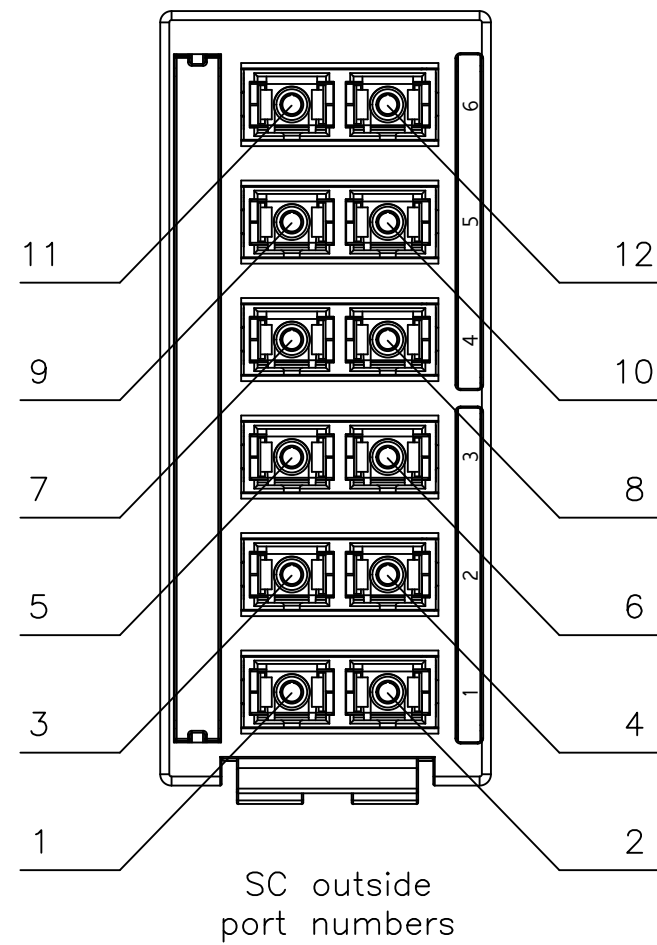
RELEASED FOR PUBLICATION

© 2016 Commscope, INC. Confidential

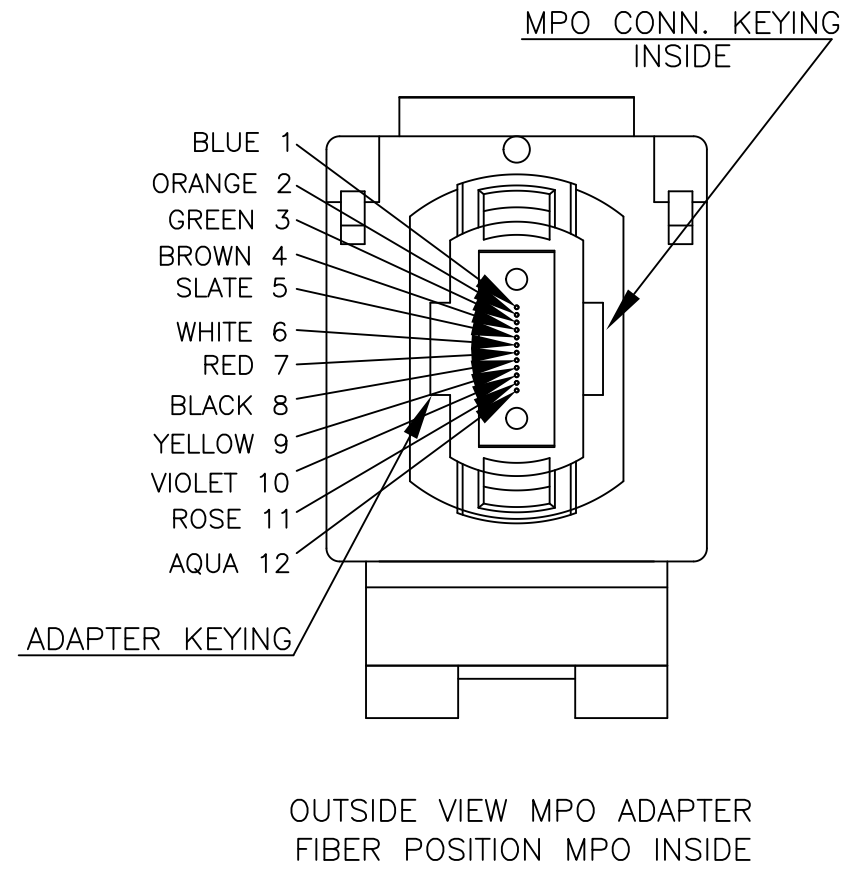
NOTICE: These drawings and specifications are the proprietary property of COMMSCOPE, INC. and may be used only for the specific purpose authorized in writing by COMMSCOPE, INC.

REVISIONS

P	LTR	DESCRIPTION	DATE	DWN	APVD
-	-	SEE SHEET 1	-	-	-



DUSTCAPS NOT SHOWN IN THIS VIEW



FIBER ROUTING

CONNECTIVITY STRAIGHT A-A / B-B		
SC/PC*		MPO
2	→	1
1	→	2
4	→	3
3	→	4
6	→	5
5	→	6
8	→	7
7	→	8
10	→	9
9	→	10
12	→	11
11	→	12

CONNECTIVITY PAIR FLIPPED A-B / B-A		
SC/PC*		MPO
2	→	1
1	→	2
4	→	3
3	→	4
6	→	5
5	→	6
8	→	7
7	→	8
10	→	9
9	→	10
12	→	11
11	→	12

*) = SC port outside (see above)

THIS DRAWING IS A CONTROLLED DOCUMENT.		DWN M.A.H Oppers 10-03-2010	COMMSCOPE, INC. MPOptimate QUICK-FIT MPO - 6 x SC/PC DUPLEX XG
DIMENSIONS: mm		CHK T.v.d Meuler 10-03-2010	
TOLERANCES UNLESS OTHERWISE SPECIFIED:		APVD M.A.H Oppers 10-03-2010	
0 PLC ± - 1 PLC ± - 2 PLC ± - 3 PLC ± - 4 PLC ± - ANGLES ± - FINISH -		PRODUCT SPEC - APPLICATION SPEC - WEIGHT -	
MATERIAL -		NAME - SIZE A2 DRAWING NO C=1671228 SCALE NTS SHEET 2 of 2 REV B	RESTRICTED TO -
CUSTOMER DRAWING			

16171228