

THIS DRAWING IS UNPUBLISHED.

RELEASED FOR PUBLICATION

© 2016 COMMSCOPE, INC. CONFIDENTIAL

NOTICE: THESE DRAWINGS AND SPECIFICATIONS ARE THE PROPRIETARY PROPERTY OF COMMSCOPE, INC. AND MAY BE USED ONLY FOR THE SPECIFIC PURPOSE AUTHORIZED IN WRITING BY COMMSCOPE, INC.

LOC IV DIST 00

REVISIONS

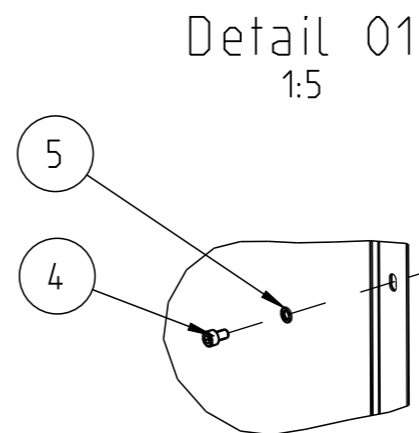
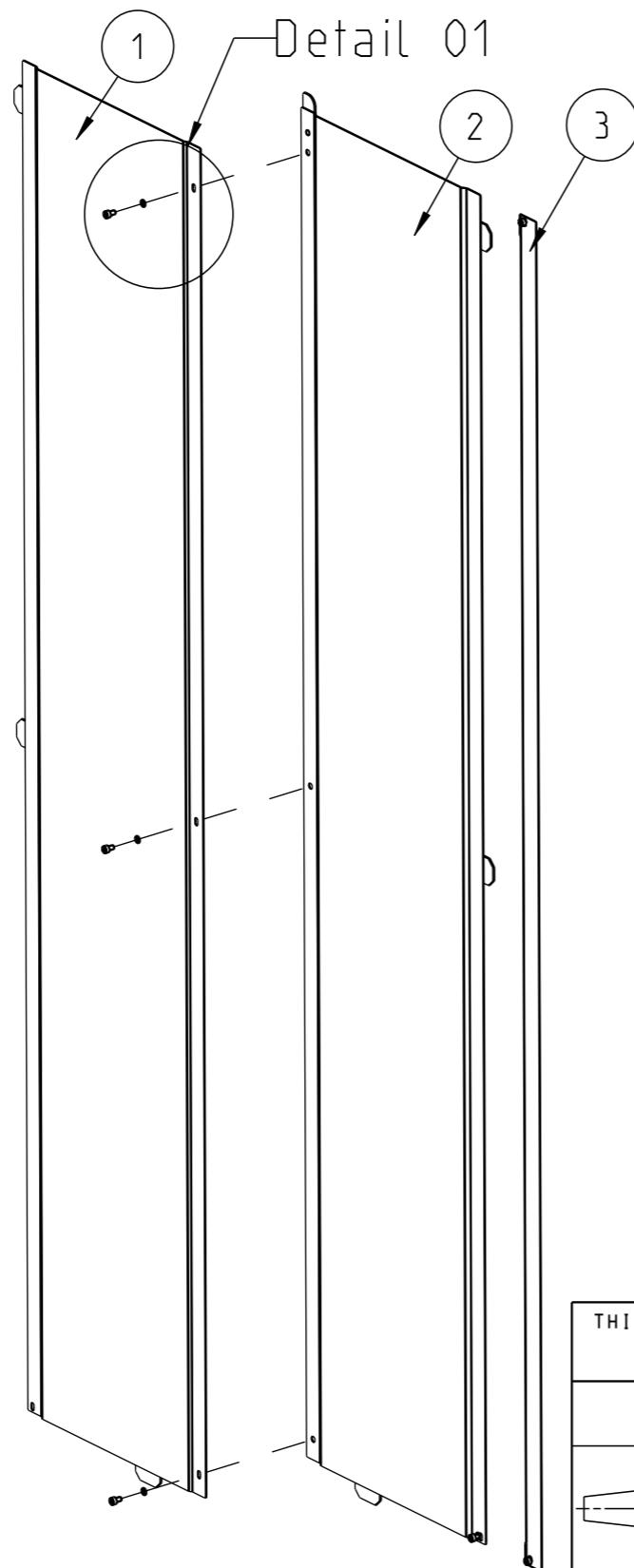
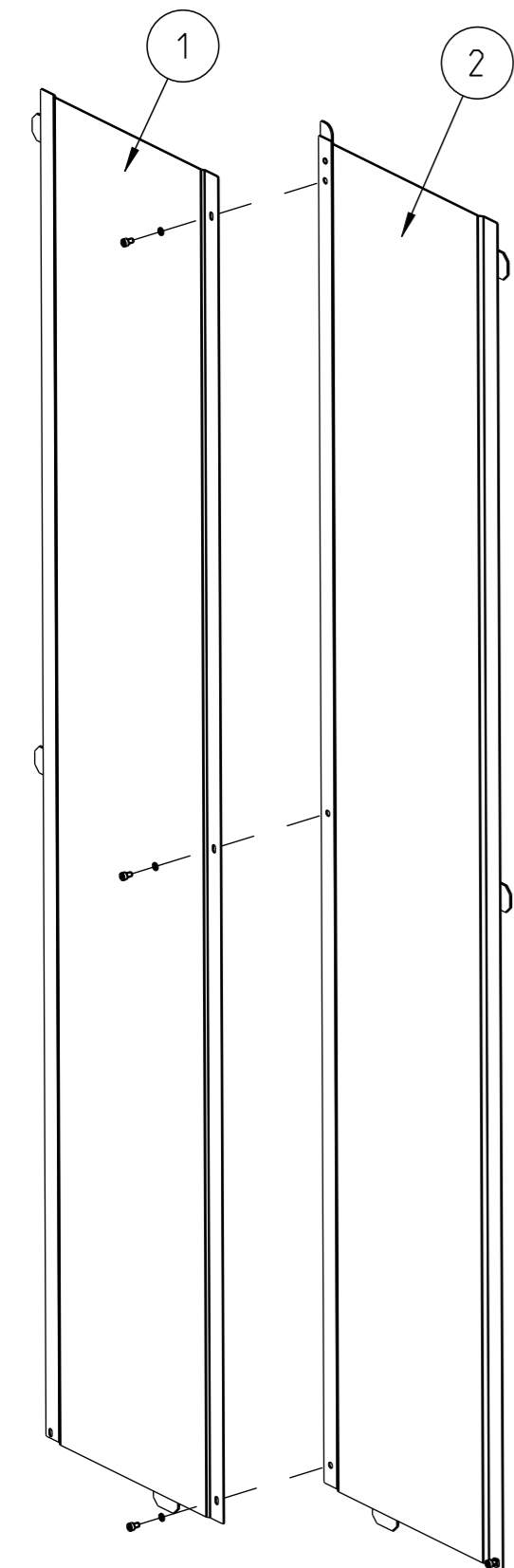
P	LTR	DESCRIPTION	DATE	DWN	APVD
	A	Initial Release	17OCT2011	WDV	HB
	A2	ECR-11-023233	18NOV2011	WDV	HB
	B	ECR-13-004244	11MAR2013	HB	DT
	C	ECN 8000018048 REBRANDING	11JAN2017	RCR	SC

1-1671579-1  
Part N°

Back panels without back strip

1-1671579-2  
Part N°

Back panels with back strip



Items are not assembled.



QUANTITY	DESCRIPTION	ITEM	
1	1	INSTRUCTION SHEET	6
5	7	Serrated washer M6	5
5	7	Socket Head Cap screw M6x10	4
-	1	Back strip	3
1	1	Back panel left with rotating bracket	2
1	1	Back panel right	1
1--1	1--2		

THIS DRAWING IS A CONTROLLED DOCUMENT.

DIMENSIONS: mm		TOLERANCES UNLESS OTHERWISE SPECIFIED:	
		0 PLC	±SEE TABLE
		1 PLC	±SEE TABLE
		2 PLC	±SEE TABLE
		3 PLC	±SEE TABLE
		4 PLC	±SEE TABLE
		ANGLES	±SEE TABLE
MATERIAL	-	FINISH	-

DWN	W. DE VIS	17OCT2011
CHK	H. BLEUS	17OCT2011
APVD	D. THUS	17OCT2011
PRODUCT SPEC	-	
APPLICATION SPEC	-	
WEIGHT	-	
CUSTOMER DRAWING		

<b>COMMSCOPE, INC.</b>			
Back panels			
SIZE	CAGE CODE	DRAWING NO	RESTRICTED TO
A3	-	©=1671579-C	-
SCALE 1:10		SHEET 1 OF 1	REV C