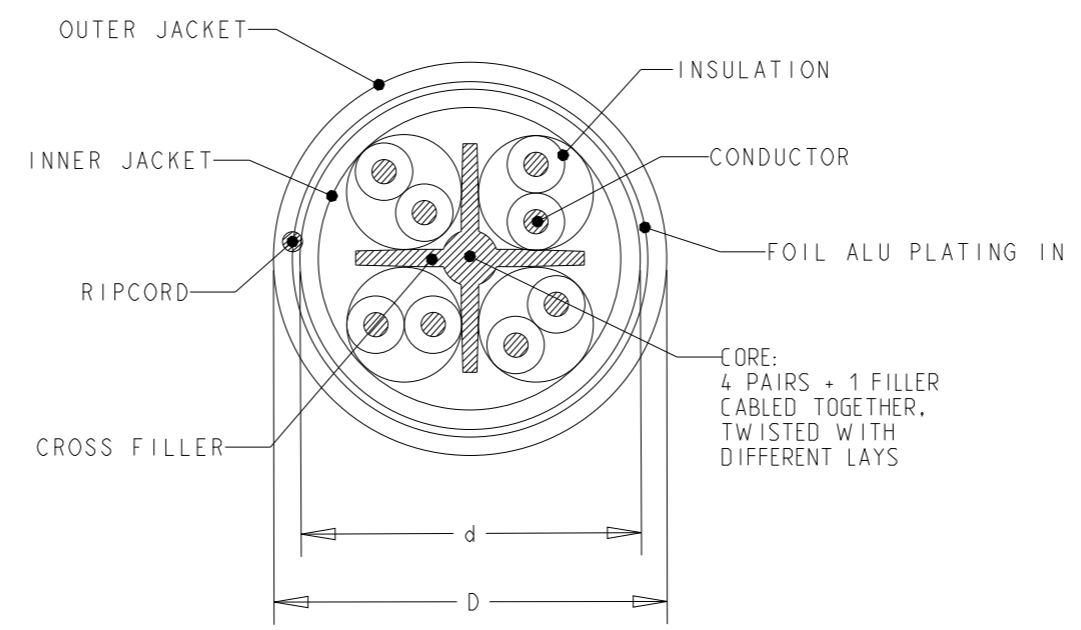


THIS DRAWING IS A CONTROLLED DOCUMENT.
 © 2016 COMMSCOPE, INC. CONFIDENTIAL
 NOTICE: THESE DRAWINGS AND SPECIFICATIONS ARE THE PROPRIETARY PROPERTY OF COMMSCOPE, INC. AND MAY BE USED ONLY FOR THE SPECIFIC PURPOSE AUTHORIZED IN WRITING BY COMMSCOPE, INC.

FINISHED CABLE DATA		
CONDUCTORS	WIRE AWG	24 AWG Solid
	Ø RANGE in mm	0,485<=Ø<0,546
	MATERIAL	COPPER
	PLATING	BARE
INSULATION	MATERIAL	POLYETHYLENE
	OVERALL DIAMETER NOM	1,03
CROSS FILLER	MATERIAL	POLYETHYLENE
RIPCORD	MATERIAL	POLYESTER
BINDER	POLYESTER TAPE	OPTIONAL
INNER JACKET	MATERIAL	LSFRZH
	OVERALL DIAMETER (d)	6,0
FOIL	MATERIAL	PLASTIC LAMINATED ALUMINUM FOIL
	OVERALL DIAMETER (D)	7,6
OUTER JACKET	MATERIAL	POLYETHYLENE
	OVERALL DIAMETER (D)	7,6
PULLING FORCE	MAX.	80 N

REVISIONS					
P	LTR	DESCRIPTION	DATE	DWN	APVD
	F	ECR-14-011029	31JUL2014	LD	JS
	G	REV PER BNS_CD_BRAND	02FEB2017	GG	DC

- REFER TO PRODUCT SPEC 108-93018 FOR ADDITIONAL REQUIREMENTS.
- BASENR SPECIFIC PRINT LEGEND INFO:
OUTDOOR CAT6 UTP SOLID PR04 AWG24 LSFRZH(d) PE(D)
- FIRE BEHAVIOUR. MEETS FOLLOWING STANDARDS:
 - FIRE RATING: IEC 60332-1-2
 - TOXICITY: IEC 60754-1
 - ACID GAS: IEC 60754-2
 - SMOKE DENSITY: IEC 61034-1
- TO BE USED IN OUTDOOR APPLICATIONS.
- FOIL IS NOT FOR SHIELDED PURPOSES.
DO NOT TERMINATE TO CONNECTORS.



BLACK	1000	REEL	1711006-2
BLACK	500	REEL	1711006-1
COLOUR	LENGTH (METRES)	PACKAGE	PART NUMBER

THIS DRAWING IS A CONTROLLED DOCUMENT.		DWN	31Jul2014
DIMENSIONS: mm		CHK	31Jul2014
TOLERANCES UNLESS OTHERWISE SPECIFIED:		APVD	31Jul2014
0 PLC	±-	PRODUCT SPEC	
1 PLC	±-	APPLICATION SPEC	
2 PLC	±-	WEIGHT	
3 PLC	±-	Customer Drawing	
4 PLC	±-	SCALE NTS	
ANGLES	±-	SHEET 1 OF 1	
MATERIAL	FINISH	REV G	

COMMSCOPE, INC.

NAME: CABLE, OUTDOOR, CAT6, UTP, SOLID, PR04, AWG24, LSFRZH(d) PE(D)

SIZE: A3 CAGE CODE: - DRAWING NO: C-1711006 RESTRICTED TO: -