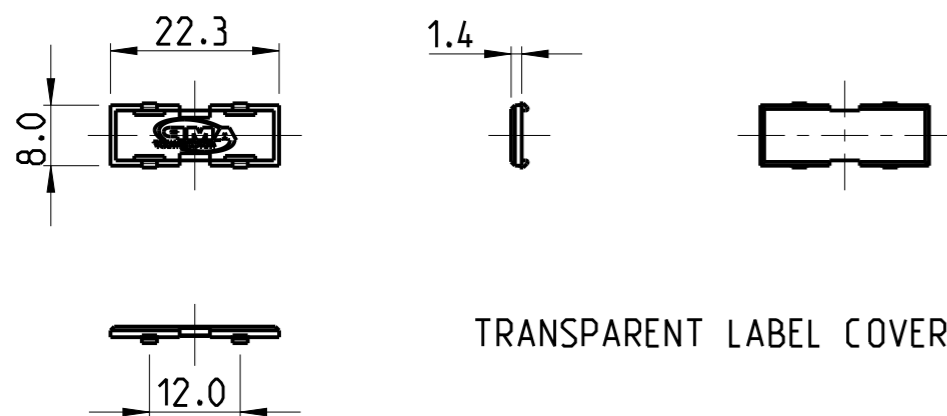


THIS DRAWING IS UNPUBLISHED  
 RELEASED FOR PUBLICATION  
 © 2016 COMMSCOPE, INC. CONFIDENTIAL  
 NOTICE: THESE DRAWINGS AND SPECIFICATIONS ARE THE PROPRIETARY PROPERTY OF COMMSCOPE, INC. AND MAY BE USED ONLY FOR THE SPECIFIC PURPOSE AUTHORIZED IN WRITING BY COMMSCOPE, INC.

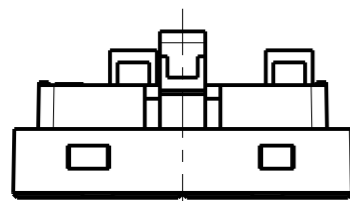
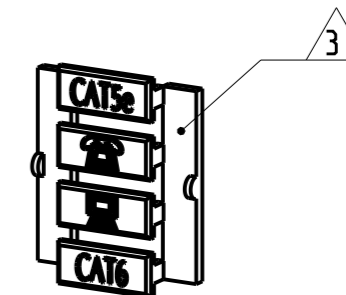
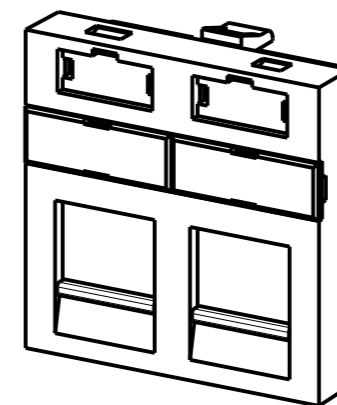
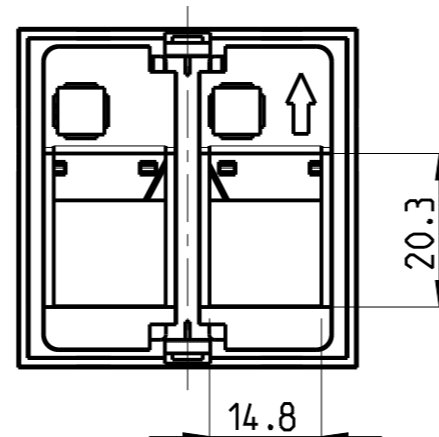
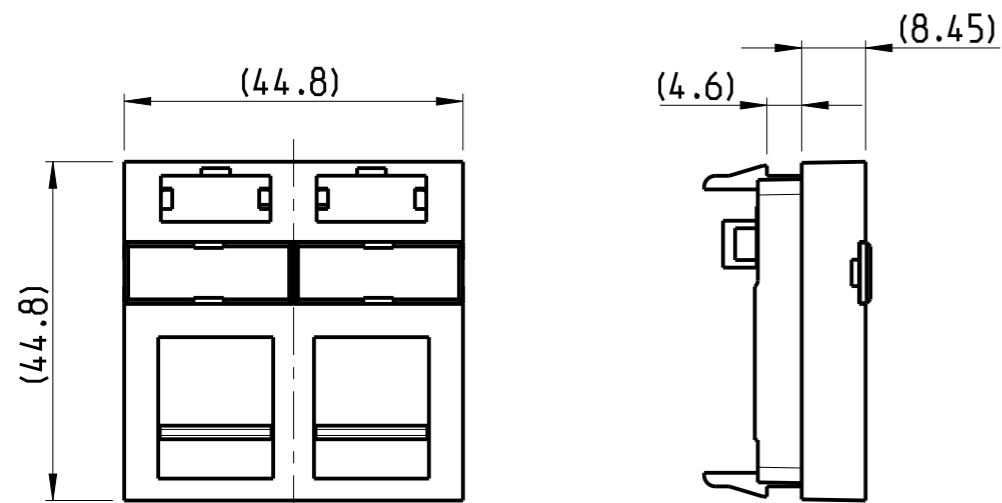
REVISIONS					
P	LTR	DESCRIPTION	DATE	DWN	APVD
A1		SEE ECR-08-007911	25OCT2005	LC	JS
B		SEE ECR-08-007911	10APR2008	LC	JS
C		REV PER BNS_CD_BRAND	02FEB2017	GG	DC



1. PRODUCT DESCRIPTION:  
 2 PORT 45x45 SNAP IN MODULE

2 MATERIAL: PC/ABS

3 PRODUCT INCLUDES TWO ICON STRIPS  
 (IN BLUE AND RED) WITH:  
 - CAT5e  
 - PICTOGRAM OF PHONE  
 - PICTOGRAM OF COMPUTER  
 - CAT6



WHITE, RAL 9010	1711276-1
COLOUR	PART NUMBER

THIS DRAWING IS A CONTROLLED DOCUMENT.		DWN L. COBACHO 06OCT2005	<b>COMMSCOPE, INC.</b>		
DIMENSIONS: mm		CHK A. CARRERAS 06OCT2005			
TOLERANCES UNLESS OTHERWISE SPECIFIED:		APVD J. SANABRA 06OCT2005	PRODUCT SPEC		RESTRICTED TO
0 PLC ±0.1		APPLICATION SPEC		SIZE A3	CAGE CODE -
1 PLC ±0.1		WEIGHT		DRAWING NO C-1711276	SCALE 1:1
2 PLC ±0.1		Customer Drawing		SHEET 1 OF 1	REV C
3 PLC ±0.1					
4 PLC ±0.1					
ANGLES ±					
MATERIAL					
FINISH					