

THIS DRAWING IS UNPUBLISHED. RELEASED FOR PUBLICATION
 © 2016 Commscope, INC. Confidential NOTICE: These drawings and specifications are the proprietary property of COMMSCOPE, INC. and may be used only for the specific purpose authorized in writing by COMMSCOPE, INC.

REVISIONS				
P	LTR	DESCRIPTION	DATE	APVD
E		REVISED PER ECN# 8000019965	16FEB2017	HSM/JCA

PART NUMBER	FIBER TYPE	MAX ATTENUATION (dB/km)				MINIMUM OVERFILLED LAUNCH BANDWIDTH (MHz*km)		MINIMUM EFFECTIVE MODAL BANDWIDTH (MHz*km)		MINIMUM 10 GIGABIT ETHERNET LINK DISTANCE (meters)	JACKET COLOR	FIBER SPECIFICATION
		850nm	1300nm	1310nm	1550nm	850nm	1300nm	850nm	850nm			
1777209-1	50/125 OM2	3.5	1.5	N/A	N/A	500	500	N/A	82	BLACK	TIA-492AAAB-XBBX7	
1777209-2	62.5/125 OM1	3.5	1.2	N/A	N/A	200	500	N/A	33	BLACK	TIA-492AAAA-XBBXE	
1777209-3	OM3	3.0	1.0	N/A	N/A	1500	500	2000	300	BLACK	TIA-492AAAC-XBBX	
1777209-4	OS2 BIF	N/A	N/A	0.4	0.3	N/A	N/A	N/A	N/A	BLACK	ITU-T G.657.A1	
1777209-5	OM4	3.0	1.0	N/A	N/A	3500	500	4700	550	BLACK	TIA-492AAAD-XBBX	

1. CABLE CONSTRUCTION:

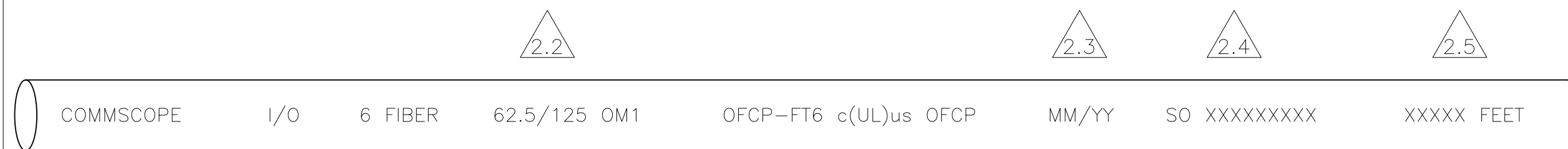
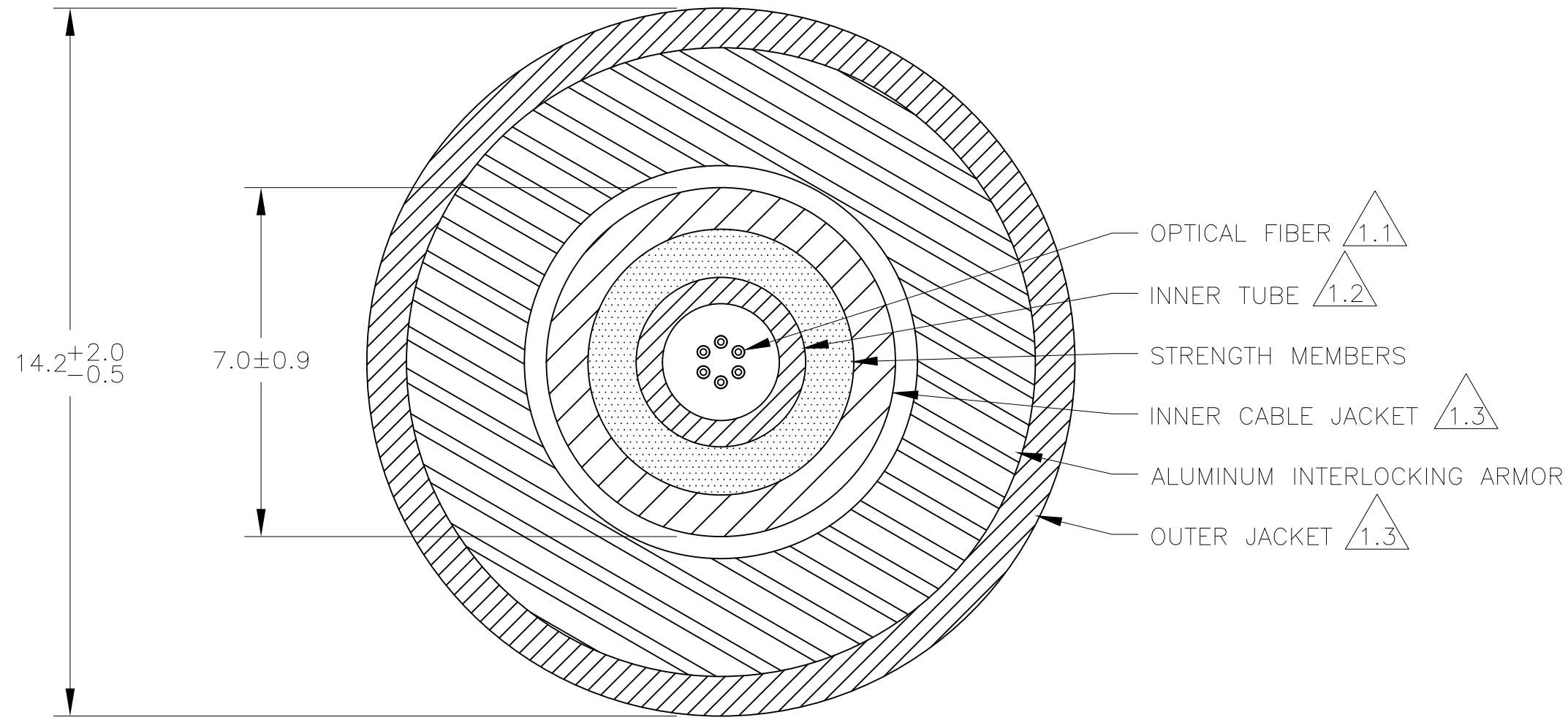
- 1.1 OPTICAL FIBER: 250±15µm
SEE TABLE FOR TYPE.
TO BE COLOR CODED PER TIA-598.
OM2, OM3, OM4 AND OS2 FIBER TYPES ARE BEND INSENSITIVE.
- 1.2 DRY WATER BLOCKED INNER TUBE.
- 1.3 THERMOPLASTIC OUTER JACKET:
SEE TABLE FOR COLOR. COLOR SPECIFICATION PER EIA-359.

2. LEGEND:

- 2.1 LEGEND REPEATED EVERY TWO FEET IN CONTRASTING COLOR INK.
- 2.2 SEE TABLE FOR APPROPRIATE LEGEND PRINTING.
- 2.3 MM/YY = MONTH/YEAR
- 2.4 SO XXXXXX = MANUFACTURER'S SHOP ORDER NUMBER.
- 2.5 XXXXX = SEQUENTIAL FOOT MARKING.

3. RATINGS:

- 3.1 UL OR ETL LISTED TYPE OFCP AND CSA FT6.
- 3.2 QUALIFIED TO ICEA-S-104-696 AND TELCORDIA GR-409-CORE.



LEGEND 2.1

THIS DRAWING IS A CONTROLLED DOCUMENT.		DWN A. BROUGHTON 27JUN13	COMMSCOPE, INC.	
DIMENSIONS: mm		CHK A. BROUGHTON 27JUN13		
TOLERANCES UNLESS OTHERWISE SPECIFIED:		APVD D. CRAIG 27JUN13	NAME CABLE, ILJA, INDOOR/OUTDOOR, DRY, OFCP, 6 FIBER	
0 PLC ± -		PRODUCT SPEC	-	
1 PLC ± -		APPLICATION SPEC	-	
2 PLC ± -		WEIGHT	-	
3 PLC ± -		CUSTOMER DRAWING	-	
4 PLC ± -		SCALE	NTS	
ANGLES ± -		SIZE	A2	
FINISH		DRAWING NO	C=1777209	
MATERIAL		RESTRICTED TO	-	
		SHEET	1 of 1	
		REV	E	