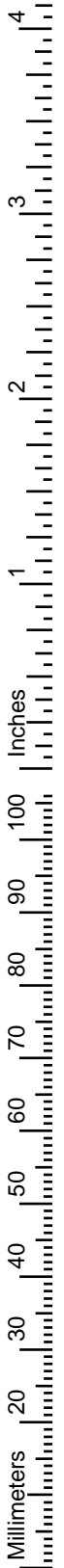
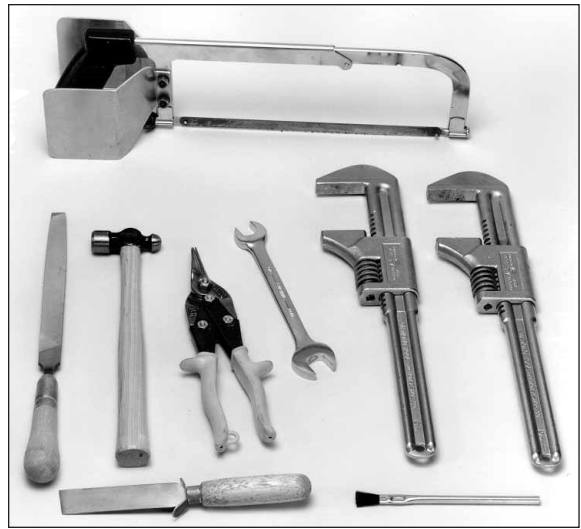
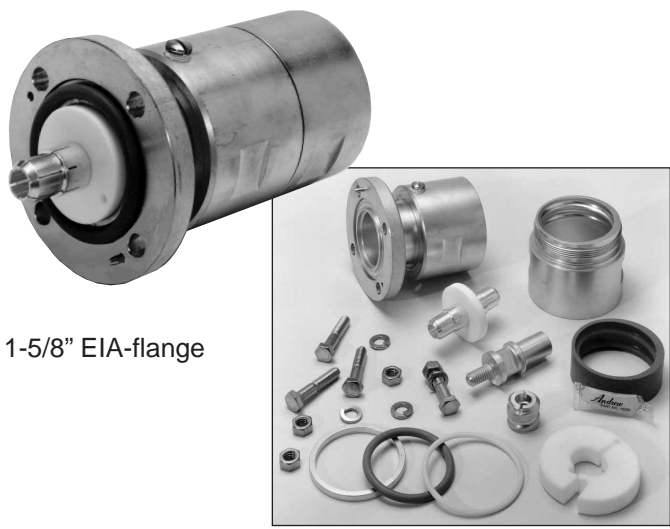
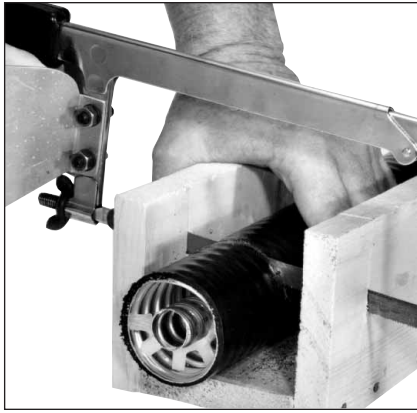


Connectors for HELIAX® HJ12-50 Coaxial Cable



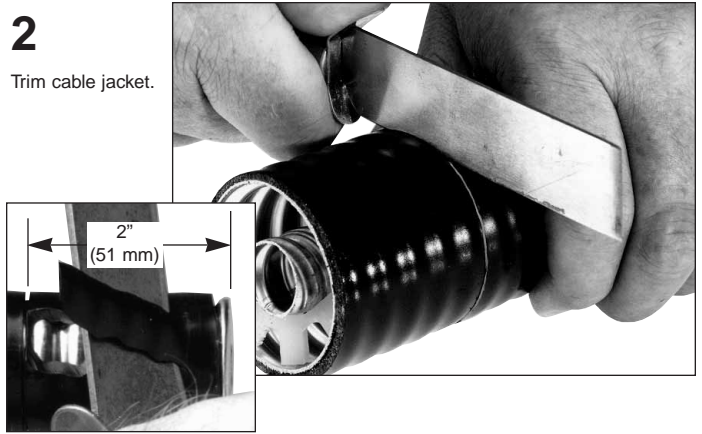
1

Cut cable end square.



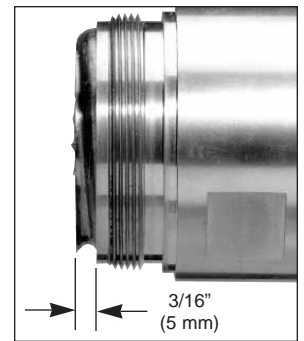
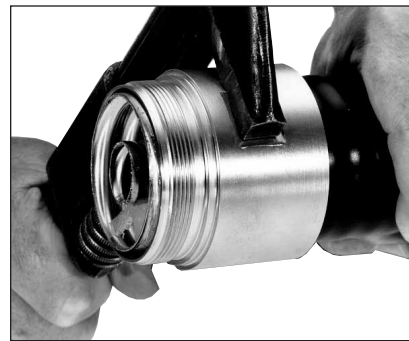
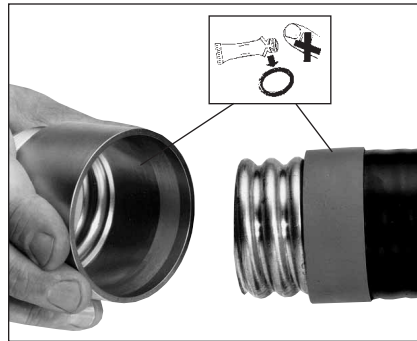
2

Trim cable jacket.



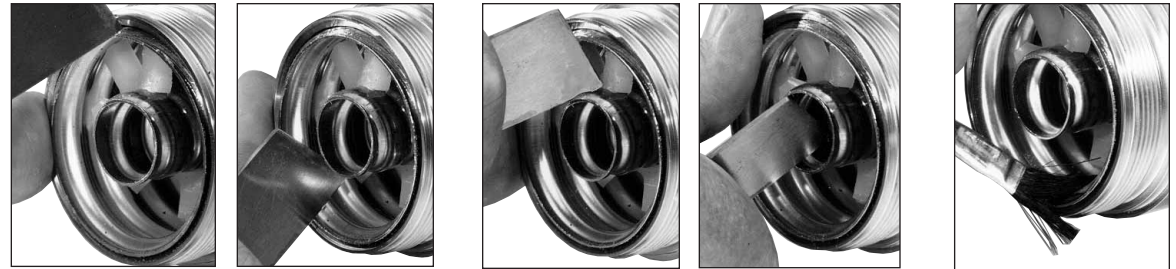
3

Add gasket, grease, and clamping nut.



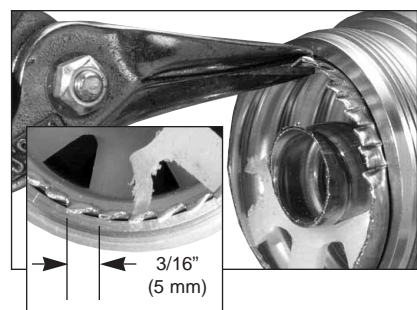
4

Remove burrs and debris from conductors.



5

Cut outer conductor to form tabs.



6

Gently bend and flatten tabs.



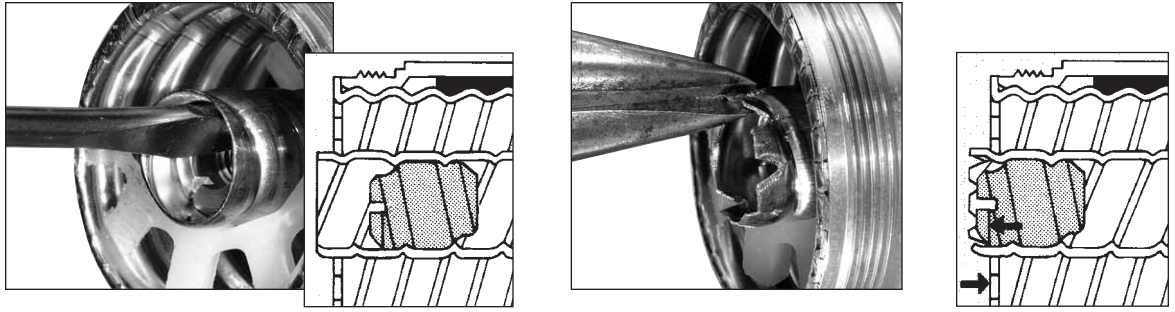
7

Trim protruding tabs.



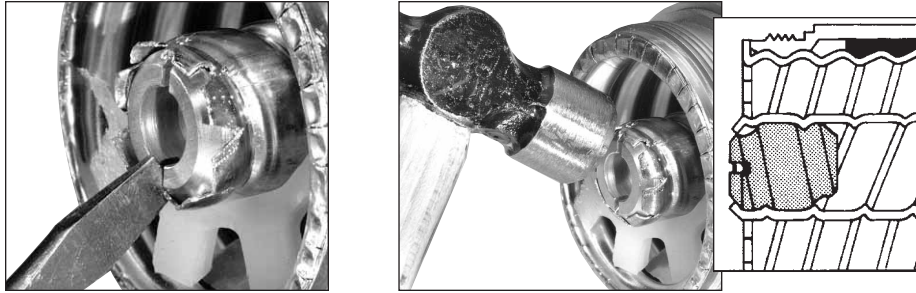
8

Screw stub into inner conductor, cut 8 V-notches, and reposition stub.



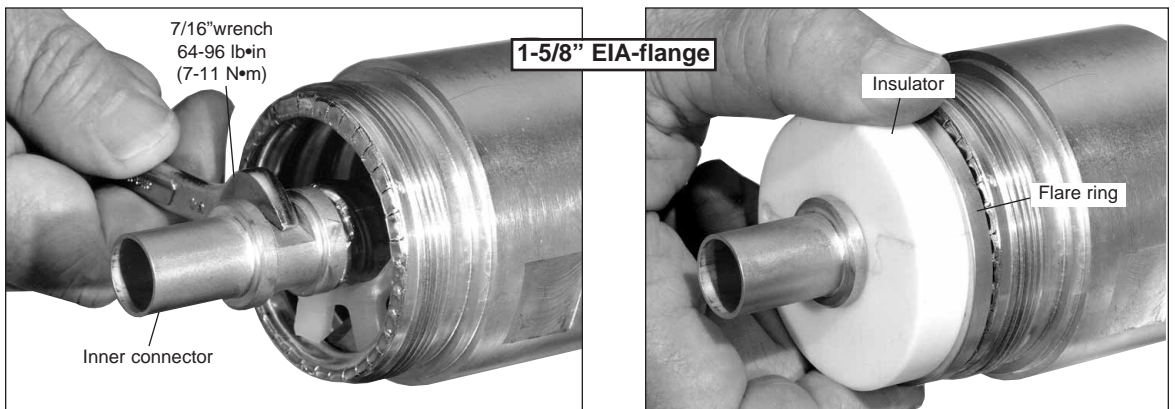
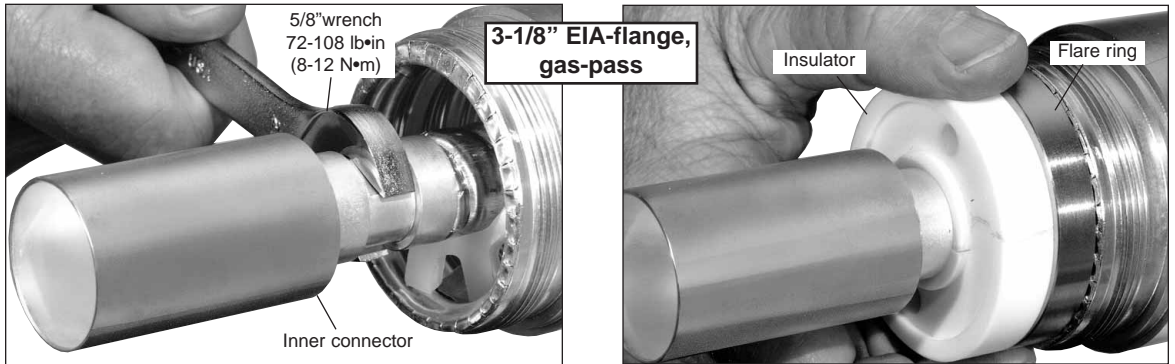
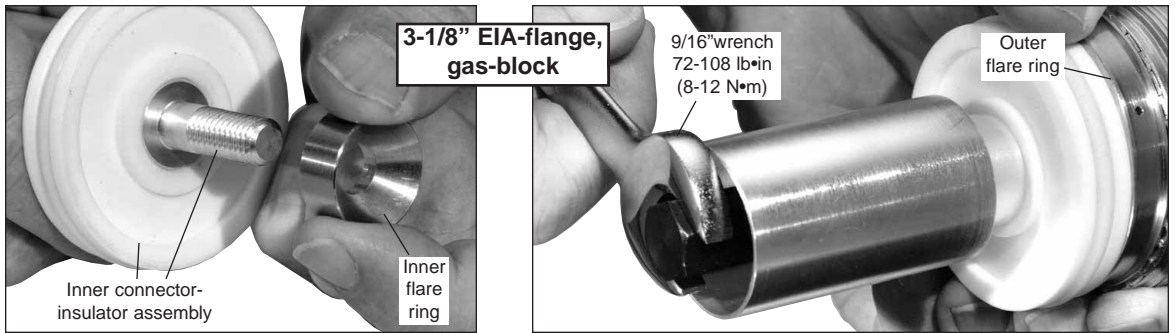
9

Bend tabs into stub slots and gently flatten remaining tabs.



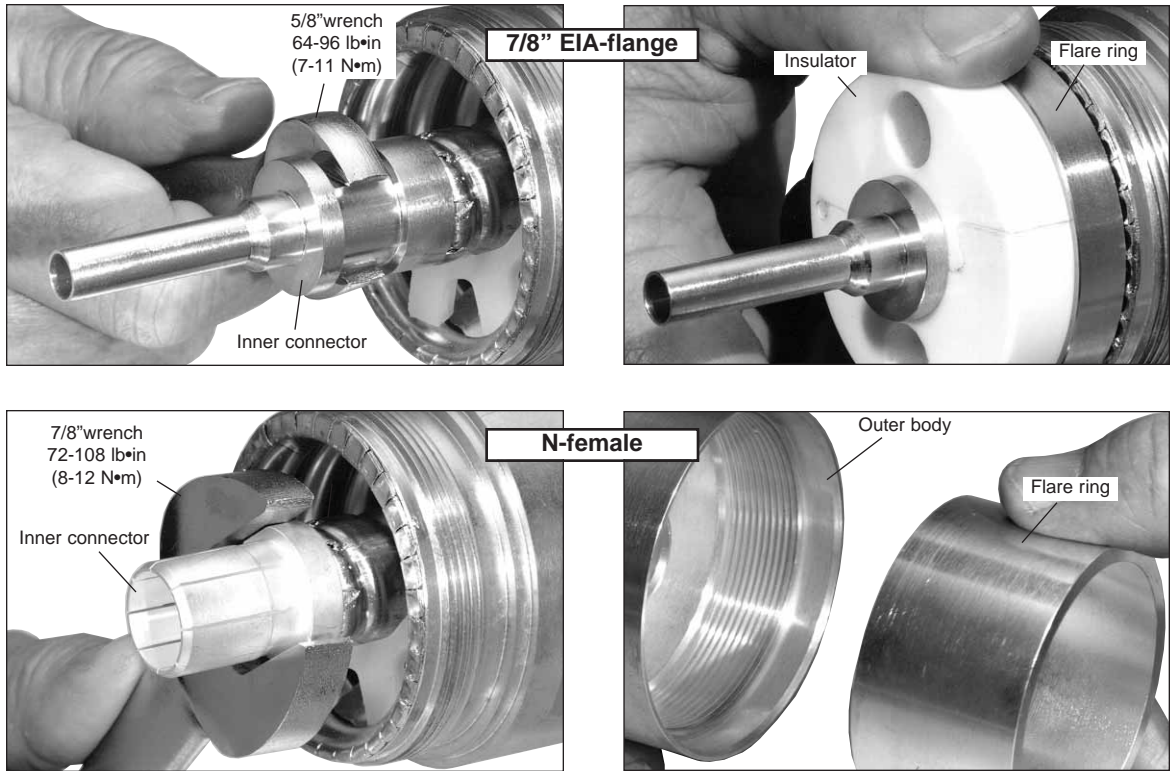
10

Install inner connector, flare ring, and insulator.



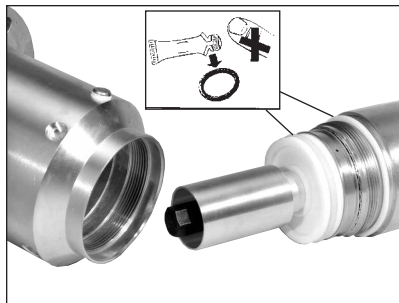
10

Install inner connector, flare ring, and insulator.



11

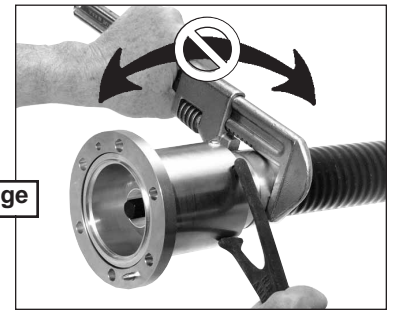
Add O-ring, grease, and outer body



12

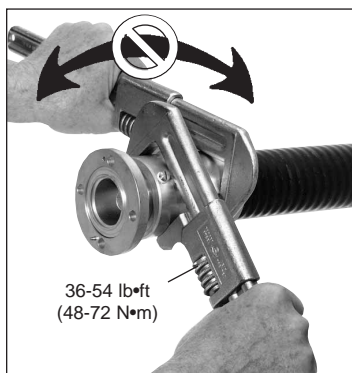
Tighten assembly.

3-1/8" EIA-flange

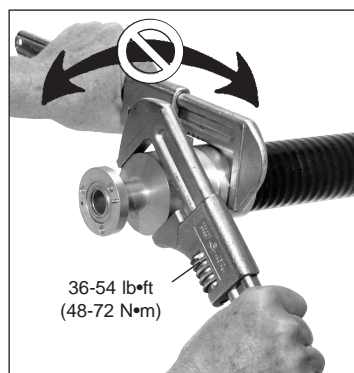


12

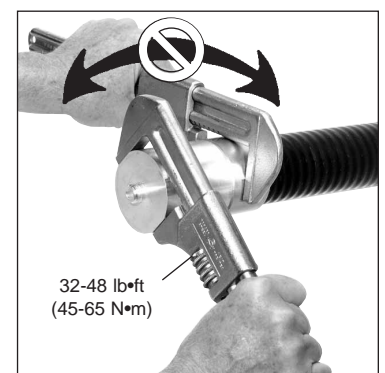
Tighten assembly.



1-5/8" EIA-flange



7/8" EIA-flange



N-female

Notice: Andrew disclaims any liability or responsibility for the results of improper or unsafe installation, inspection, maintenance, or removal practices.



Andrew Corporation
10500 West 153rd Street
Orland Park, IL U.S.A. 60462

Telephone: 708/349-3300
FAX (U.S.A.): 1-800-349-5444
Internet: <http://www.andrew.com>

Customer Service, 24 hours: U.S.A. • Canada • Mexico: 1-800/255-1479
U.K.: 0800 250055 • Republic of Ireland: 1 800 535358
Other Europe: +44 1592 782612

Printed in U.S.A. 7/98

Copyright © 1998 by Andrew Corporation