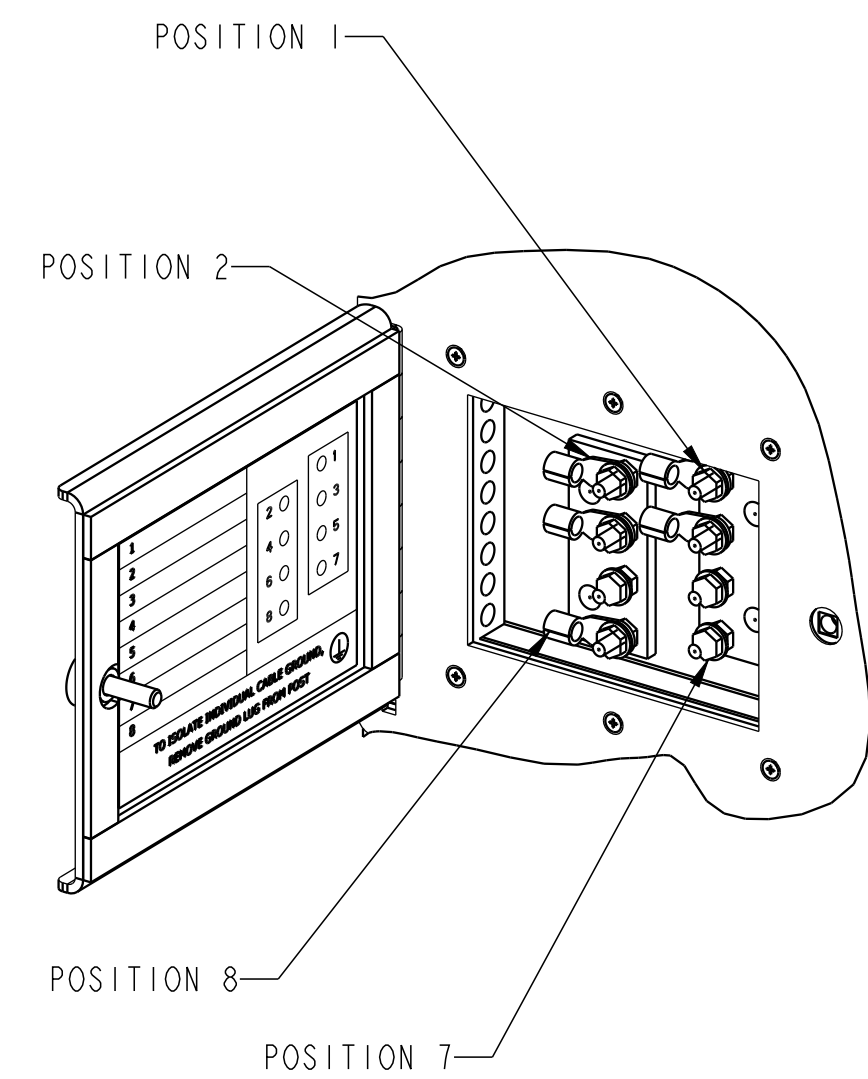
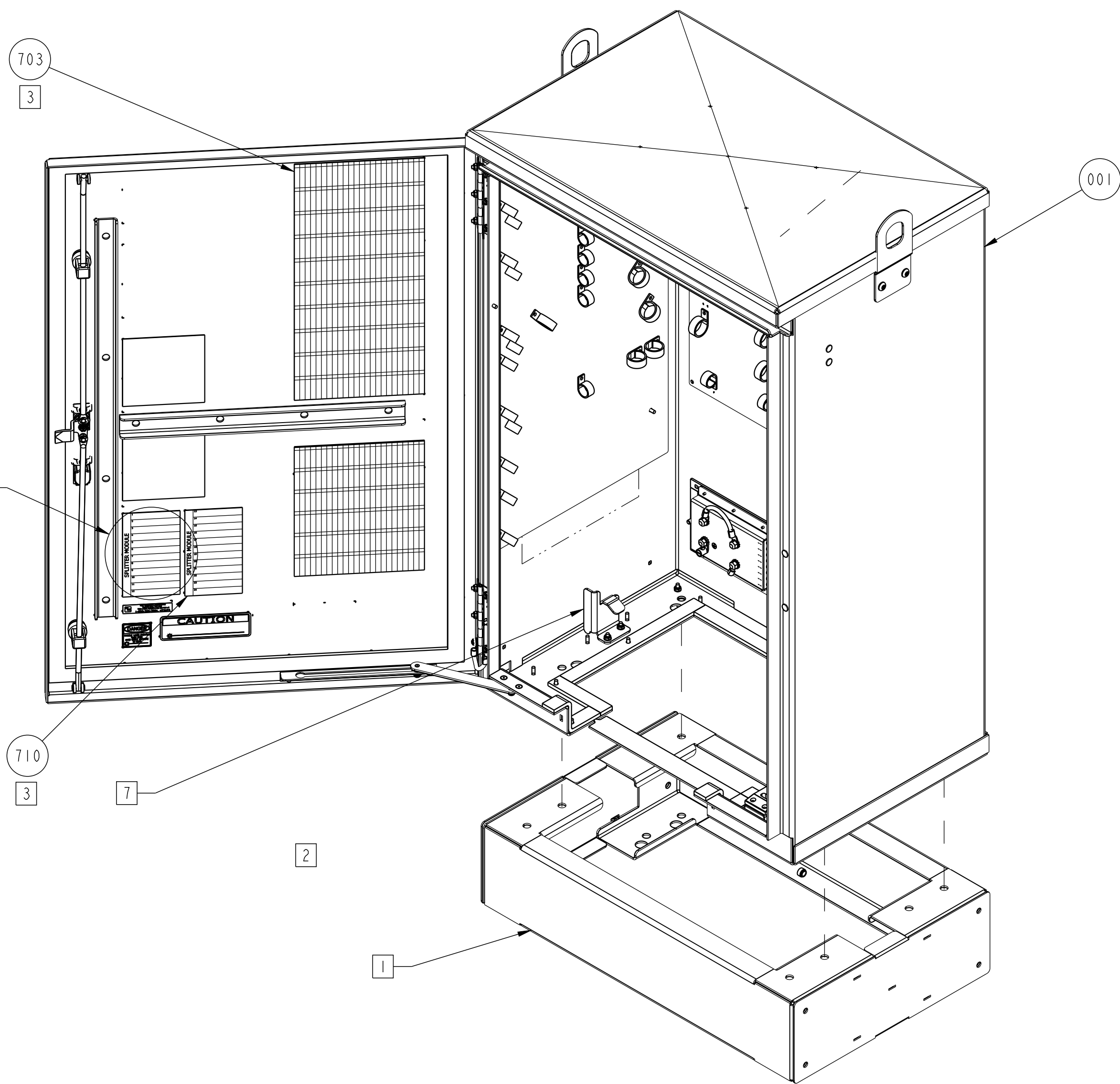


REV	MCO	DWN	DATE
B	40028950MCO	CA	09-MAR-16
C	8000018813	ARL	07-JAN-17

SEE DETAIL A



GROUNDING DETAIL 4

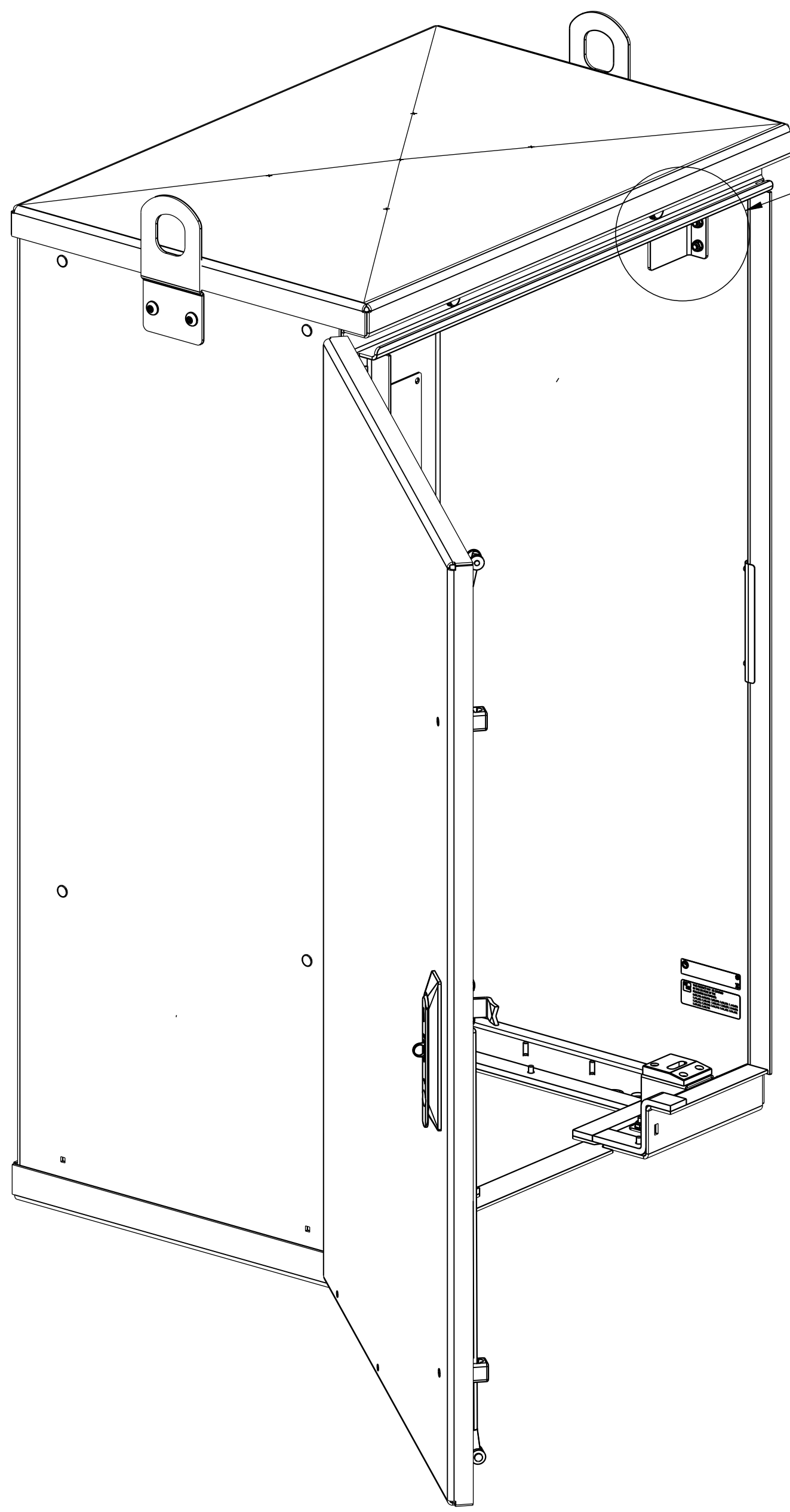
NOTES:

- 1 RAISER IS NOT INCLUDED WITH KIT. IT IS SHOWN ONLY FOR REFERENCE.
- 2 REMOVE THIS PART FOR ASSEMBLY.
- 3 ATTACH DESIGNATION LABELS USING TOOL MARKS ON DOORS.
- 4 FOR ASSEMBLIES WITH ARMORED CABLE, GROUND CABLE(S) TO BUSS BAR. CONNECT GROUND CABLES TO CLAMP POSITIONS 1-8 AND ROUTE TO CORRESPONDING GROUNDING POSITIONS 1-8. CLAMP POSITION 1 CORRESPONDS TO GROUND POSITION 1 AND CLAMP POSITION 2 CORRESPONDS TO GROUND POSITION 2, AND SO ON. FEEDER CABLE GROUND WILL ALWAYS CONNECT TO POSITION 8.
- 6. ROUTE GROUNDING CABLES FROM CABLE CLAMP POSITIONS TO THE GROUNDING BUS BAR POSITIONS RESPECTIVELY.
- 7 AFTER INSTALLING CABINET, ADJUST STOP BRACKET TO PREVENT SWING FRAME FROM MOVING AFTER LATCHING IN PLACE.
- 8 AFTER INSTALLING CABINET AND ADJUSTING SWING FRAME HEIGHT ADJUST EARTHQUAKE BRACKET.

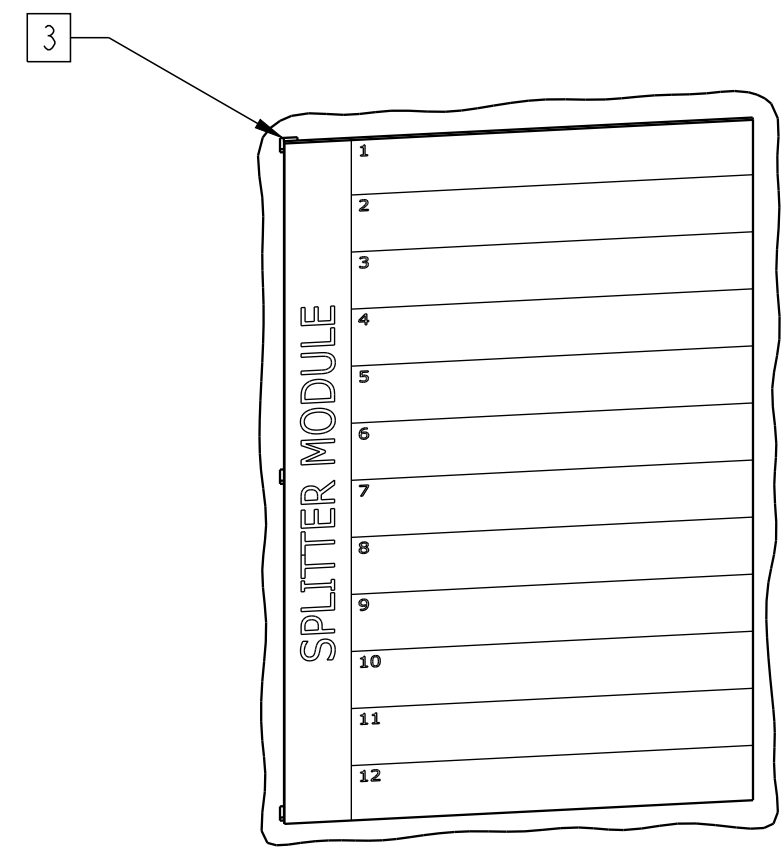
COMMSCOPE, INC.

© 2016 COMMSCOPE, INC. CONFIDENTIAL NOTICE: THESE DRAWINGS AND SPECIFICATIONS ARE THE PROPRIETARY PROPERTY OF COMMSCOPE, INC. AND MAY BE USED ONLY FOR THE SPECIFIC PURPOSE AUTHORIZED IN WRITING BY COMMSCOPE, INC.		TITLE FDH 432 CAB RE-SKIN INST DRW	
ALL DIMS AND TOLERANCES ARE INCHES UNLESS OTHERWISE SPECIFIED	.XX:±N/A .XXX:±N/A ANGULAR:±N/A	C SIZE	DRAWING NUMBER 300100102173
DO NOT SCALE DRAWING	ENGR: ARTURO MAYA DWN: JORGE SOTO	C REV	
		SHT. 1 OF 2	

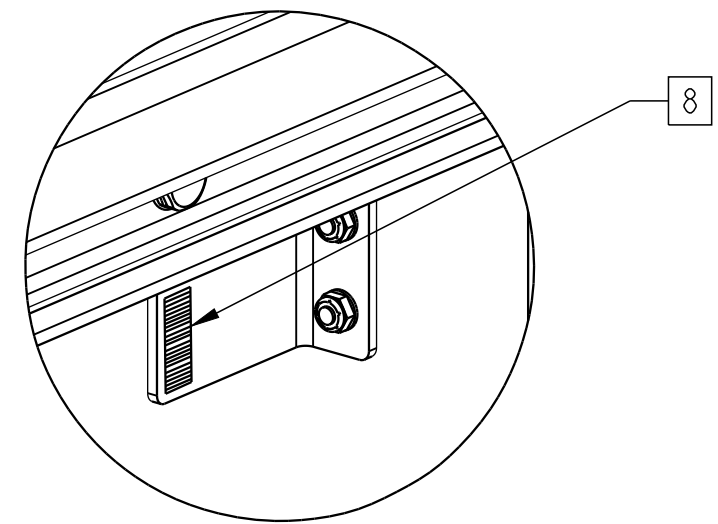
**DIMENSIONS IN INCHES
THIRD ANGLE PROJECTION**



SEE DETAIL B



DETAIL A
SCALE 0.700



DETAIL B
SCALE 0.500

INCLUDED ITEMS		
F/N	DESCRIPTION	QTY
001	FDH432 CABINET RE-SKIN KIT	1.0
703	DESIGNATION LABEL, 288 FDH3000	1.0
710	DESIGNATION LABEL, 432 FDH3000	1.0
999	RE-SKIN KIT, INST DRW	1.0

© 2016 COMMSCOPE, INC. CONFIDENTIAL
NOTICE: THESE DRAWINGS AND SPECIFICATIONS
ARE THE PROPRIETARY PROPERTY OF
COMMSCOPE, INC. AND MAY BE USED ONLY FOR THE
SPECIFIC PURPOSE AUTHORIZED IN WRITING BY
COMMSCOPE, INC.

TITLE FDH 432 CAB RE-SKIN
INST DRW

ALL DIMS AND TOLERANCES .XX:±N/A
ARE INCHES UNLESS .XXX:±N/A
OTHERWISE SPECIFIED ANGULAR:±N/A

C DRAWING NUMBER C
SIZE 300100102173 REV

DO NOT SCALE DRAWING

ENGR: ARTURO MAYA
DWN: JORGE SOTO

SHT. 2 OF 2

COMMSCOPE, INC.

DIMENSIONS IN INCHES
THIRD ANGLE PROJECTION