

NETpodium rack - bracket with spool (1-1671610-1)

INSTRUCTION SHEET 411-117008 FEB 2017 REV B

1. Kit content

Left bracket with spool 1 pc
Right bracket with spool 1 pc
Mounting hardware

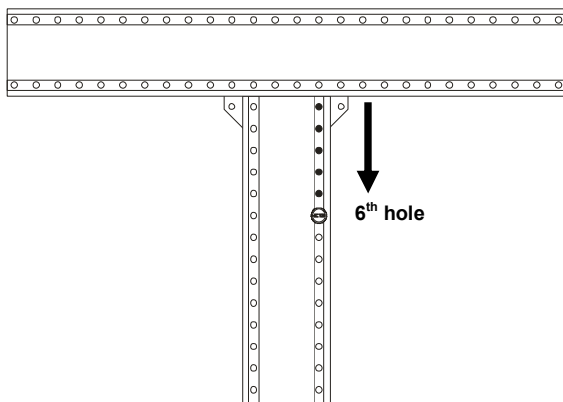
2. Installing the brackets with screws and Tool-less Fastener (TF)



- Insert the TF into the T-Channel



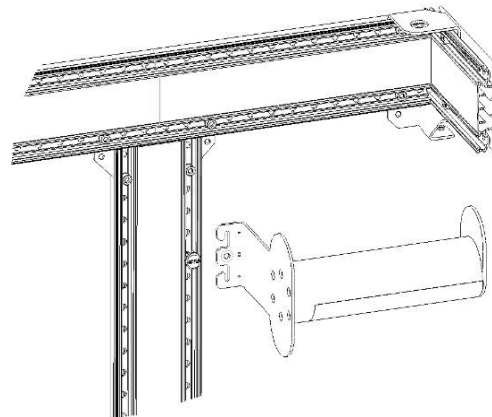
- Quarter turn clockwise



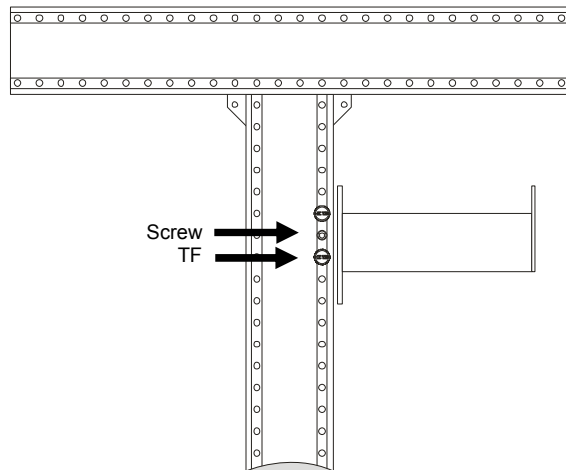
- TF is inserted in the T-channel, slide it to 6th hole, start counting from the top of the vertical profile



- Push, TF is FIXED, you can not slide it



- The bracket with spool can be slid with the slotted hole over the fastener pin into the groove



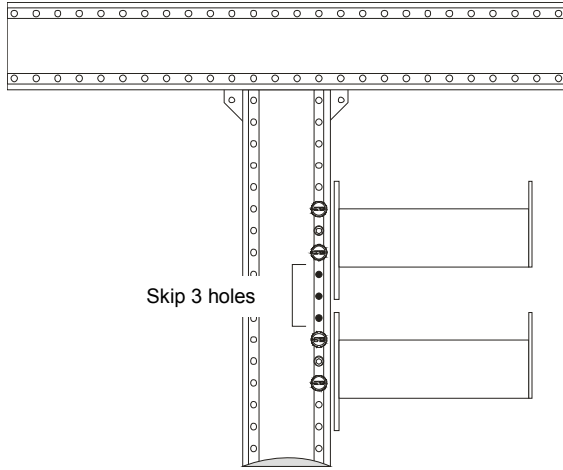
- Insert the second TF into the T-Channel and fix in the second hole beneath the first TF

For grounding assemble screw and washer in the T-channel between the TF's. Use an Allen key n°5 with conical head
Bracket needs to be fixed with a torque of 3.5-4Nm

NETpodium rack - bracket with spool (1-1671610-1)

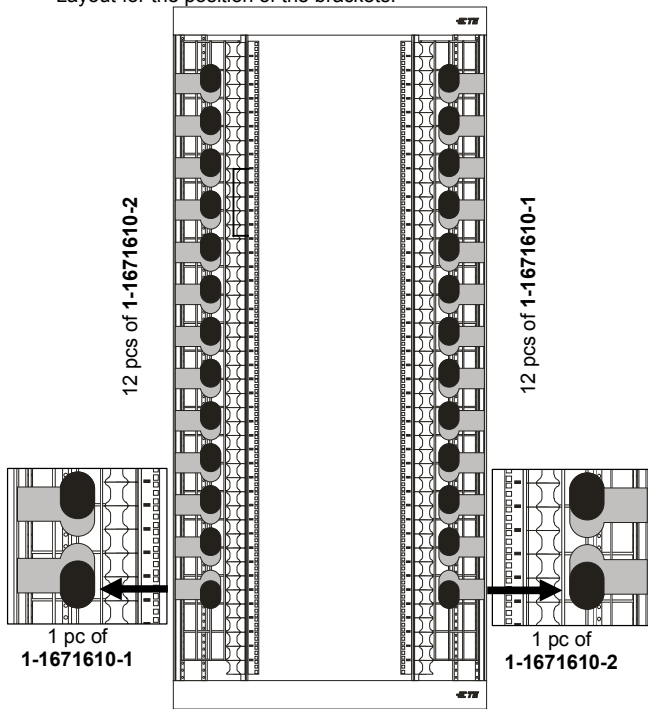
INSTRUCTION SHEET 411-117008 FEB 2017 REV B

3. Full F.O. cross-connect layout

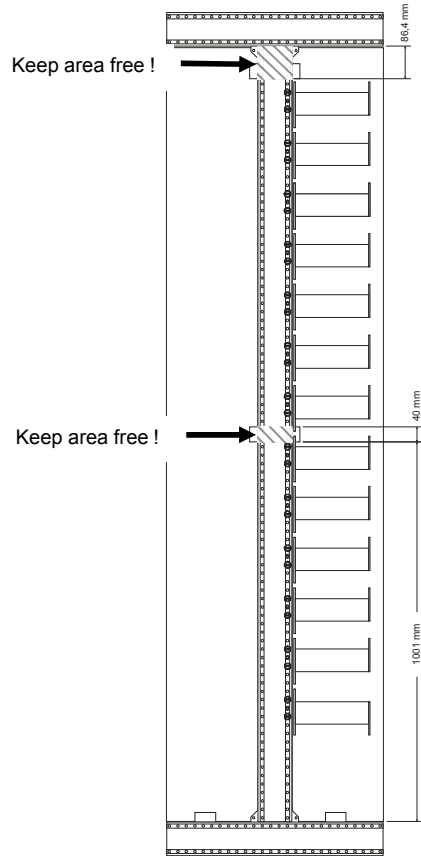


- Leave three holes open and fix a TF to mount the second bracket. Repeat the previous steps until you have installed 13 brackets with spool.

Layout for the position of the brackets:



4. Remark: area to keep free



- In case spools need to be located at another position. Be aware that the indicated area's need to be kept free. These area's are used for fixing side panels (1-1671578-1 / 1-1671578-2).

Contact us:

Technical Support
 Technical Assistance Center (TAC)
 Greensboro, North Carolina
www.commscope.com

Tel: 800.830.5056

Email: TAC.Americas@commscope.com

www.commscope.com/SupportCenter/TechnicalSupport.aspx

This product is covered by one or more U.S. patents or their foreign equivalents. For patents see, www.commscope.com/ProductPatent/ProductPatent.aspx

To obtain more information on CommScope® products, visit our website at <http://www.commscope.com/SupportCenter/TechnicalSupport.aspx>

