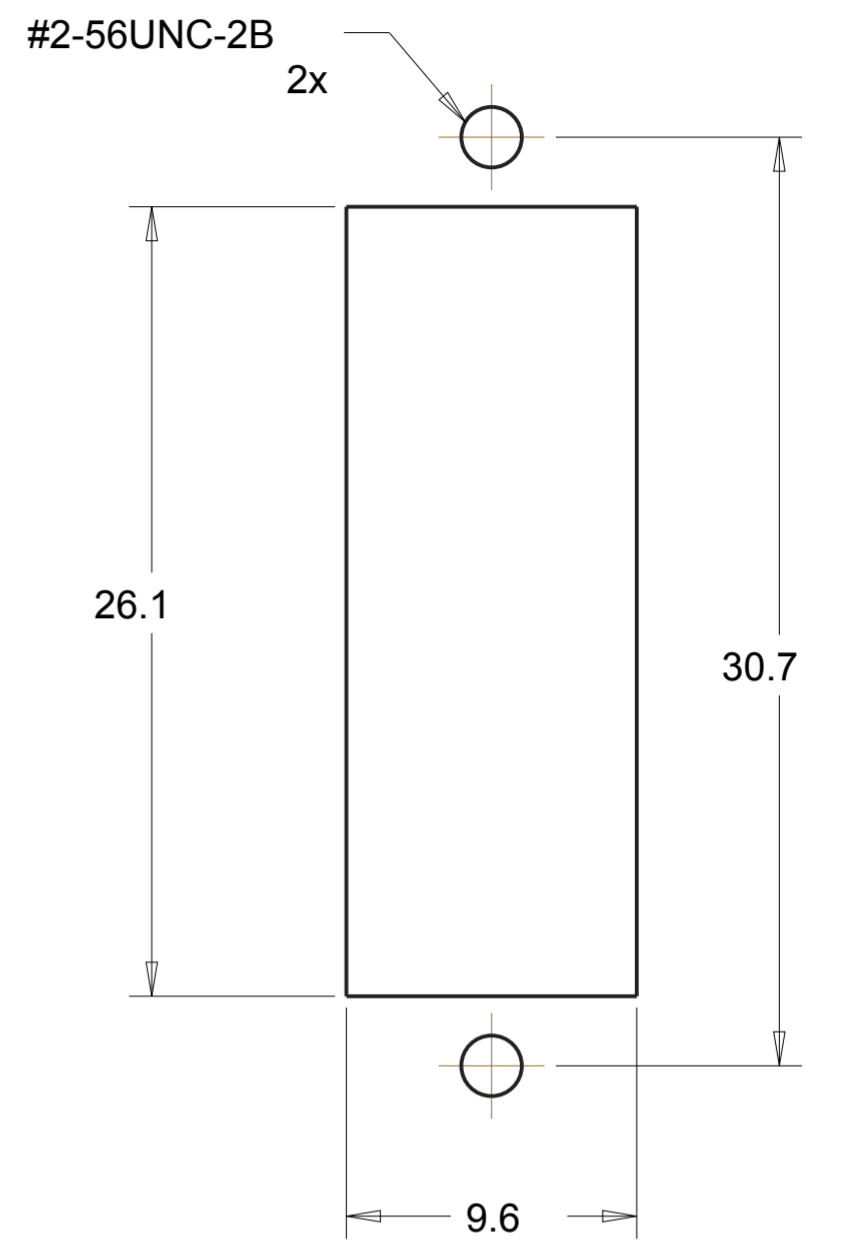
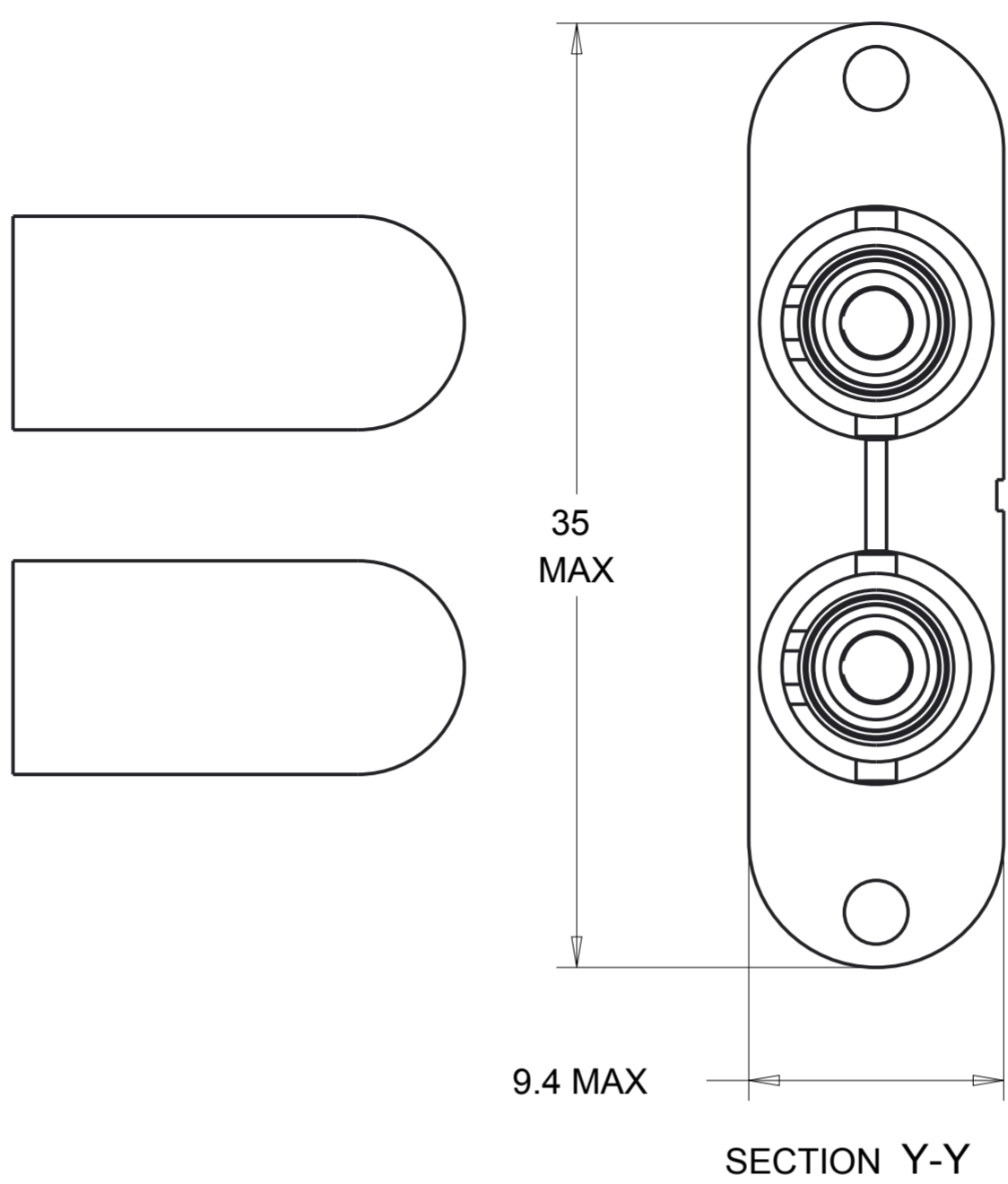
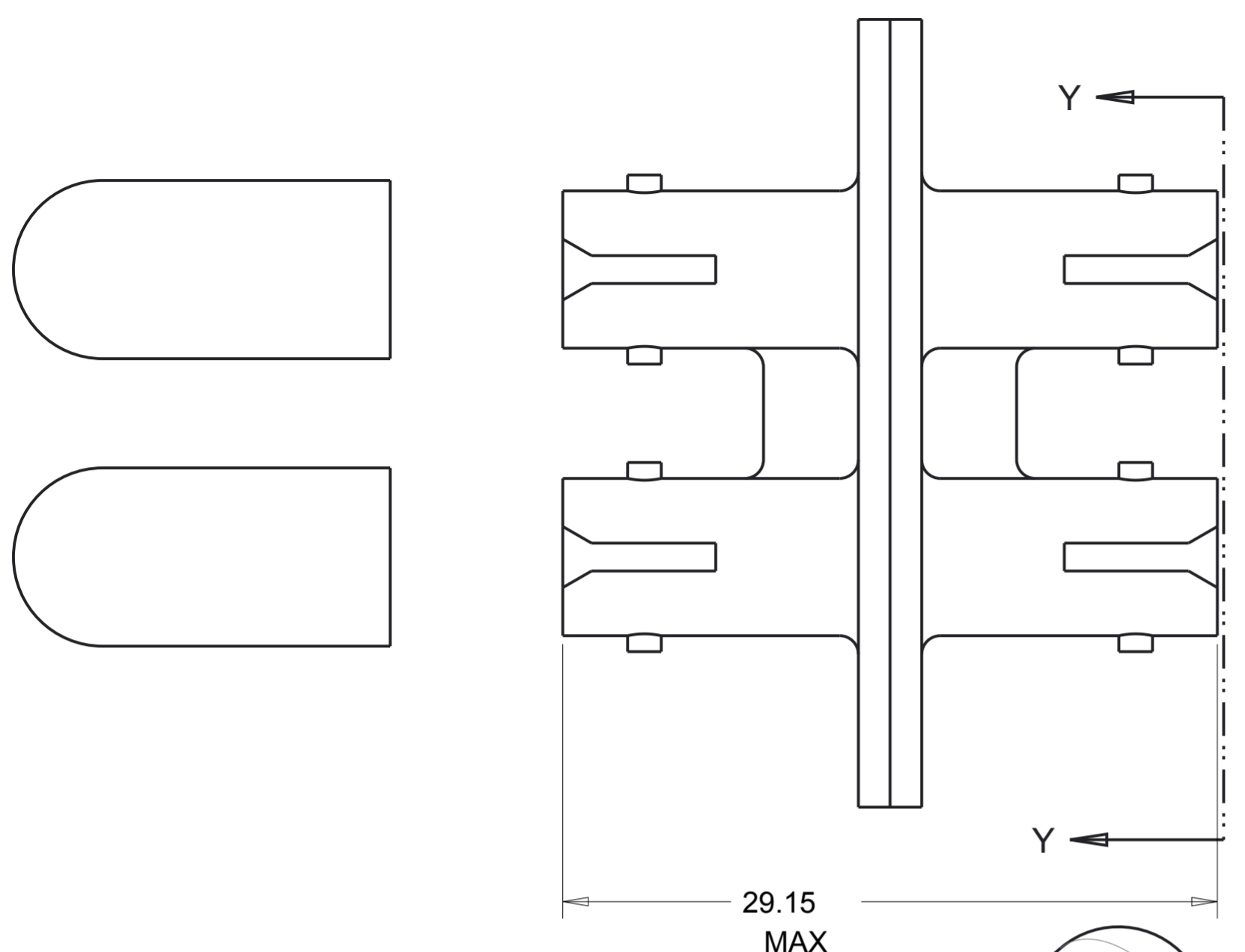


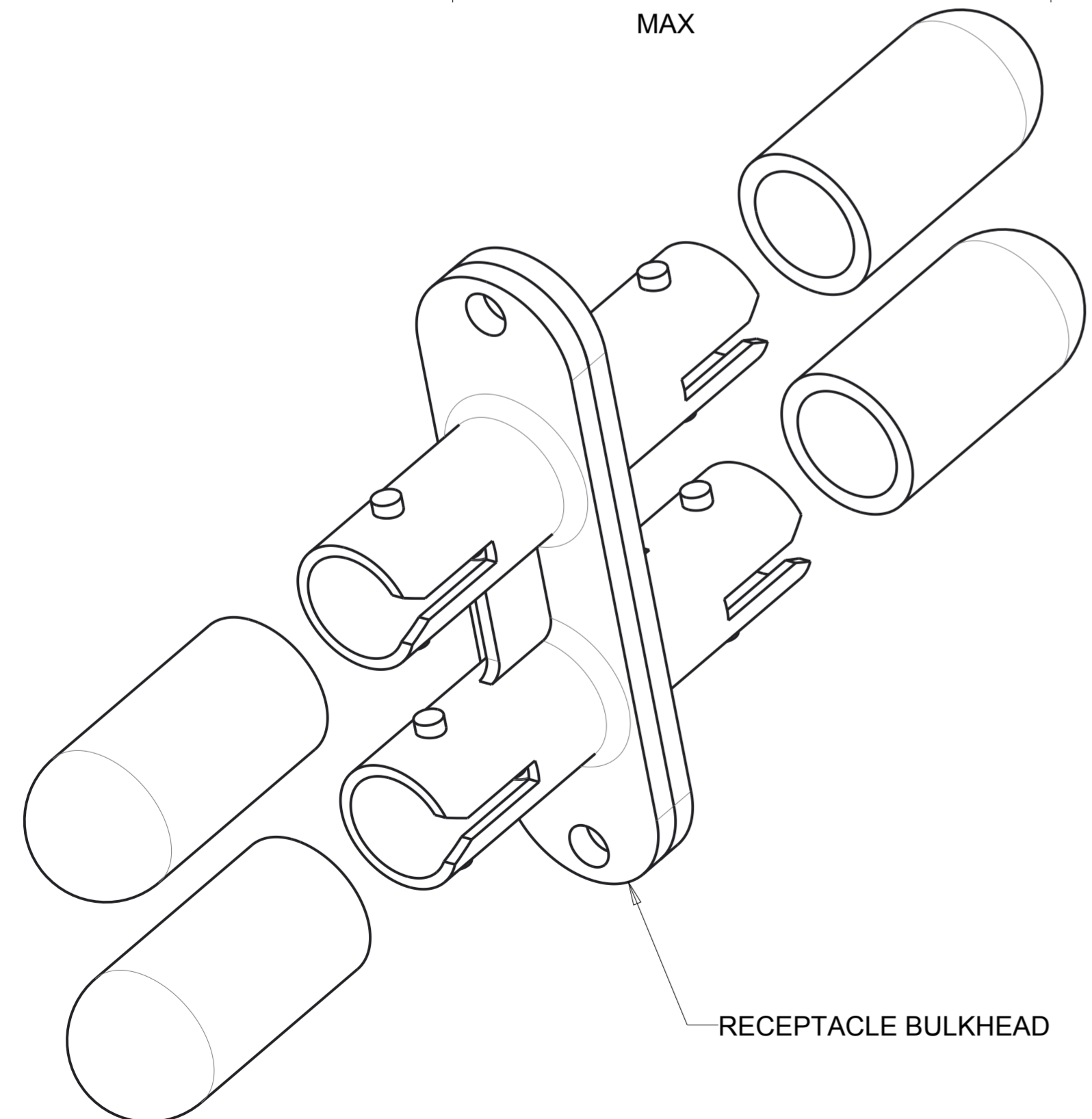
THIS DRAWING IS UNPUBLISHED. RELEASED FOR PUBLICATION
 © 2016 COMMSCOPE, INC. CONFIDENTIAL NOTICE: THESE DRAWINGS AND SPECIFICATIONS ARE THE PROPRIETARY PROPERTY OF COMMSCOPE, INC. AND MAY BE USED ONLY FOR THE SPECIFIC PURPOSE AUTHORIZED IN WRITING BY COMMSCOPE, INC.

CE		00		REVISIONS			
P	LTR	DESCRIPTION	DATE	DWN	APVD		
C		REVISE PER ECR-05-013728	31OCT2005	BB	SB		
D		REBRANDING	16DEC2016				



SUGGESTED PANEL CUTOUT
 MAXIMUM PANEL THICKNESS 1.7

1 MATERIAL:
 PROTECTIVE CAP: VINYL
 COUPLING RECEPTACLE:
 HOUSING: PPE AND PS, UL94 V-0 RATED AT QUALIFYING THICKNESS,
 SEE DASH NUMBER FOR COLOR.
 SLEEVE: SEE DASH NUMBER



BLUE	CERAMIC	503273-5
BLACK	CERAMIC	503273-4
BEIGE	METAL	503273-3
BLACK	METAL	503273-1
COLOR	ALIGNMENT SLEEVE MAT'L	MATERIAL

THIS DRAWING IS A CONTROLLED DOCUMENT.		DWN B.BRIGGS 31OCT2005	COMMSCOPE, INC.	
DIMENSIONS: mm		CHK S.BUCHTER 31OCT2005		
TOLERANCES UNLESS OTHERWISE SPECIFIED:		APVD S.BUCHTER 31OCT2005	NAME DUPLEX RECEPTACLE KIT, BULKHEAD, AMP ST-ST	
0 PLC ±		PRODUCT SPEC	SIZE A2	
1 PLC ±0.1		APPLICATION SPEC	CAGE CODE -	
2 PLC ±		WEIGHT	DRAWING NO 503273	
3 PLC ±			RESTRICTED TO -	
4 PLC ±			SCALE 4:1	
ANGLES ±			SHEET 1 OF 1	
FINISH			REV D	
MATERIAL			CUSTOMER DRAWING	