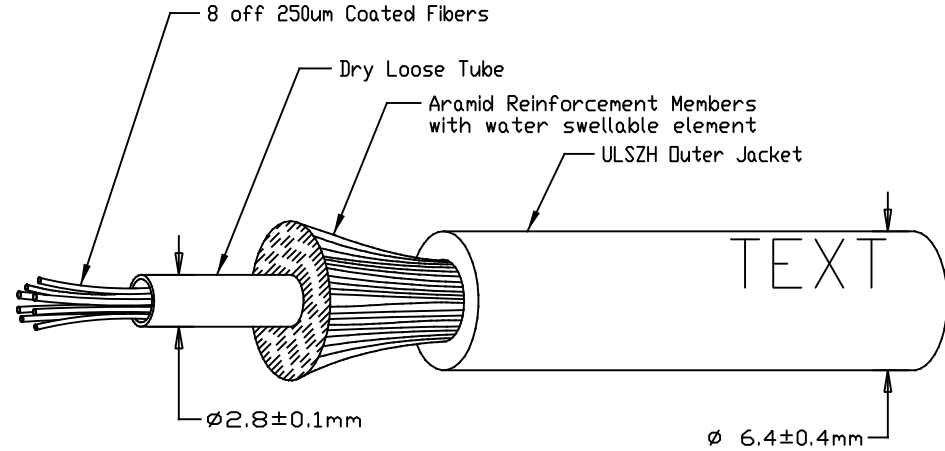


DWG No: 599154

THIS DRAWING IS A CONTROLLED DOCUMENT

# CABLE SPECIFICATION

- Fiber Specification**  
 Fiber Type & Specification as per Table  
 Optical & Mechanical properties of fiber as per CS Specification 115-32023 (multimode) as per CS Specification 108-19151 (singlemode)
- 8 off 250um Primary Coated Fibers**  
 Buffer Colours Blue, Orange, Green, Brown, Grey, White, Red & Black  
 All eight fibers contained inside one loose tube.  
 Dry (no gel), Colour as per table
- Tight Jacket Construction with Loose Tube inside**  
 Aramid reinforcement yarns, evenly spaced & helically wound with Water Swellable Element  
 Universal Low Smoke Zero Halogen outer jacket.  
 Jacket Colour as per table
- Print legend according 101-131550 Method A**  
 every meter, text 2.0 to 4.0mm high  
 Example:  
 COMMSCOPE GB OPTICAL CABLE X-599154-4 8X 9/125um OS2 ULSZH [BATCH] [Date][Length marking] (M)
- Mechanical Properties of Cable (Tested according to IEC 60794-1)**  
 Nominal weight 31.0 kg/km  
 Minimum Installation Bend Radius 140 mm  
 Minimum Service Bend Radius 130 mm  
 Maximum Installation Tension 500 N  
 Maximum Operating Tension 400 N  
 Maximum Crush Resistance 2000 N/10 cm  
 Operating Temperature Range -10 to +60°C  
 Internal/External Grade  
 Low Smoke Zero Halogen Material to be compliant with  
 Water Absorption IEC 60811-1, <2mg/cm<sup>2</sup> 10days @ 70°C  
 Smoke Emission IEC 61034  
 Acid Gas Emission IEC 60754-1  
 Toxicity NES 60713  
 Fire Propagation IEC 60332-1 & 60332-3
- To meet the requirements of COMMSCOPE environmental specification CS-EPC-2001



yellow	grey	0.37/0.25	single mode	9/125 G657A2 BI	X-599154-8
orange	orange	2.5/0.7	500/500	50/125 OM2	X-599154-7
orange	grey	2.8/0.9	200/600	62.5/125 OM1	X-599154-5
yellow	blue	0.37/0.25	single mode	9/125 OS2	X-599154-4
aqua	orange	2.5/0.7	1500/500	50/125 OM3	X-599154-3
aqua	orange	2.5/0.7	3500/500	50/125 OM4	X-599154-2
yellow	grey	0.37/0.25	single mode	9/125 G657A1 BI	X-599154-1
Jacket Colour	Loose Tube Colour	Max Cabled fibre attn. loss db/km @ 850/1300nm for Multi mode and @ 1310/1550nm for Single mode	Bandwidth @ 850/1300nm	Fiber Type	MID/pn

Dimensions: MM 	TOLERANCES UNLESS OTHERWISE SPECIFIED: 0 PLC ± 1 PLC ±0.1 2 PLC ±0.01 3 PLC ±0.001 4 PLC ±0.0001	Drawn: T. VISSERS 31MAR17	<b>COMMSCOPE</b> Commscope Connectivity Uk Ltd Kinnel Park, Bodelwyddan, Denbighshire, LL18 5TZ		
		Checked: A. YOUNG			
ANGLE: - SURFACE TEXTURE:	Approved: D. WALKER	Scale: N/A	Drawing No: 599154	Sheet: 1 of 1	G

LTR	REVISION RECORD	DATE	DWN	APVD
G	8000021556	31MAR17	TV	DW

THIS INFORMATION IS CONFIDENTIAL AND PROPRIETARY TO COMMSCOPE CORPORATION AND ITS WORLDWIDE SUBSIDIARIES AND AFFILIATES. IT MAY NOT BE DISCLOSED TO ANYONE, OTHER THAN COMMSCOPE PERSONNEL WITHOUT WRITTEN AUTHORIZATION FROM COMMSCOPE CORPORATION, HICKORY, NORTH CAROLINA, USA