

## ANT, Mounting Kit, For Metrocell ANTS MC-MNT-TS1 Mounting Kits

Bulletin 639830 • Revision C • Dec 2015 • Page 1 of 8

CommScope Infrastructure Academy offers installation training.

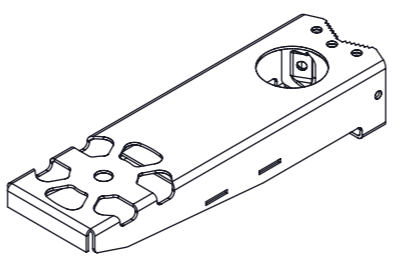
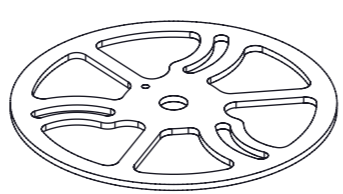
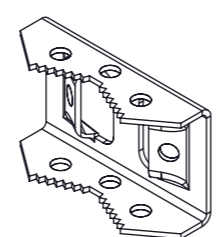
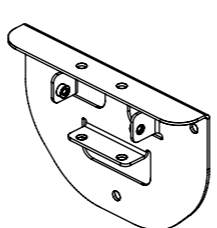

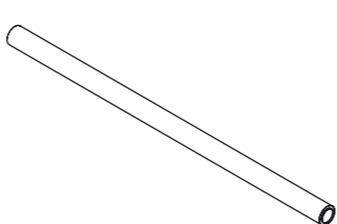
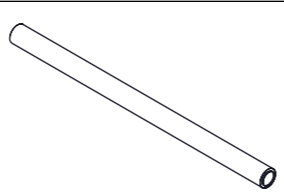

### GENERAL INFORMATION

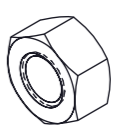
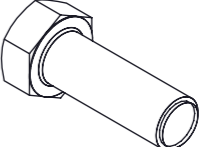
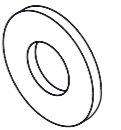
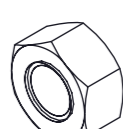


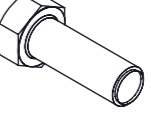
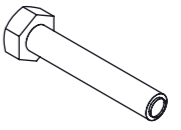

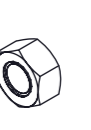
- Top of pole mounting option  
Fits round members 3.4" to 7.7" (86 to 195 mm) pole diameter.
- Offset of pole mounting option  
Fits round members 3.4" to 7.7" (86 to 195 mm) pole diameter.
- Wall mount option

### PRE-INSTALLATION INSTRUCTIONS

- Examine antenna and hardware to ensure that all parts are enclosed and that there is no physical damage.
- Verify that the frequency range shown on the label on the bottom of the antenna matches the frequency range of the station equipment.

### PARTS LIST

Item	Description	Qty	Image
1	Side Mount Bracket	1	
2	Top Mount Bracket	1	
3	Pipe Clamp Bracket	3	
4	Wall Mount Adapter	1	
5	Spacer Tube	1	
6	M12 X 245 Threaded Stud	7	
7	M12 X 215 Threaded Stud	6	
8	M12 Flat Washer	20	

Item	Description	Qty	Image
9	M12 Hex Nut	36	
10	M24 X 75 Hex Head Bolt	1	
11	M24 Flat Washer	4	
12	M24 Hex Nut	2	
13	M10 Flat Washer	3	
14	M10 Lock Washer	3	
15	M10 X 30 Hex Head Bolt	3	
16	M6X35 Screw with Tube	1	
17	M6 Flat Washer	2	
18	M6 Hex Nut	2	

(continued on page 2)

#### NOTICE

The installation, maintenance, or removal of an antenna requires qualified, experienced personnel. Commscope installation instructions are written for such installation personnel. Antenna systems should be inspected once a year by qualified personnel to verify proper installation, maintenance, and condition of equipment.

Commscope disclaims any liability or responsibility for the results of improper or unsafe installation practices.



Do not install near power lines. Power lines, telephone lines, and guy wires look the same. Assume any wire or line can electrocute you.



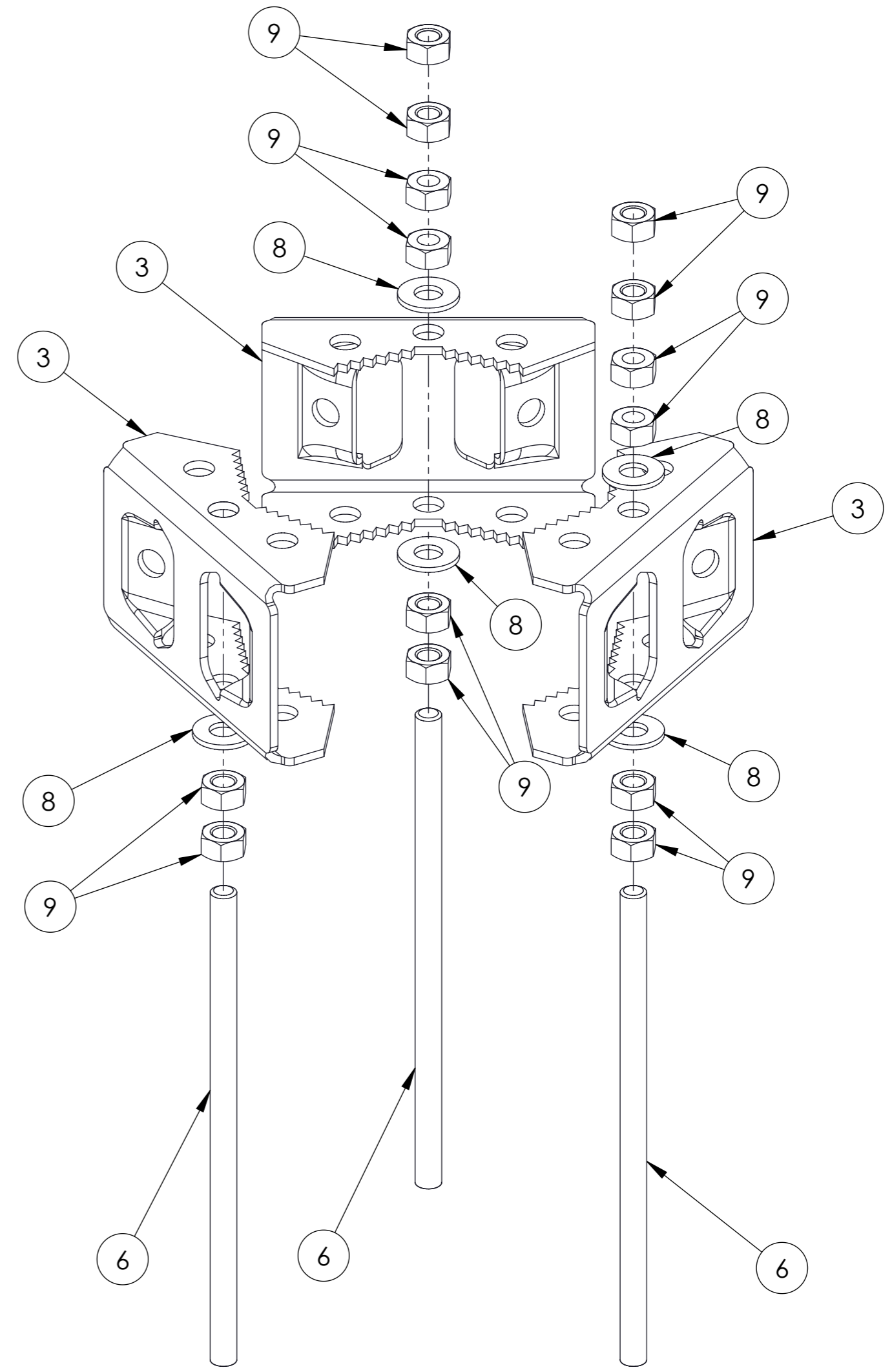
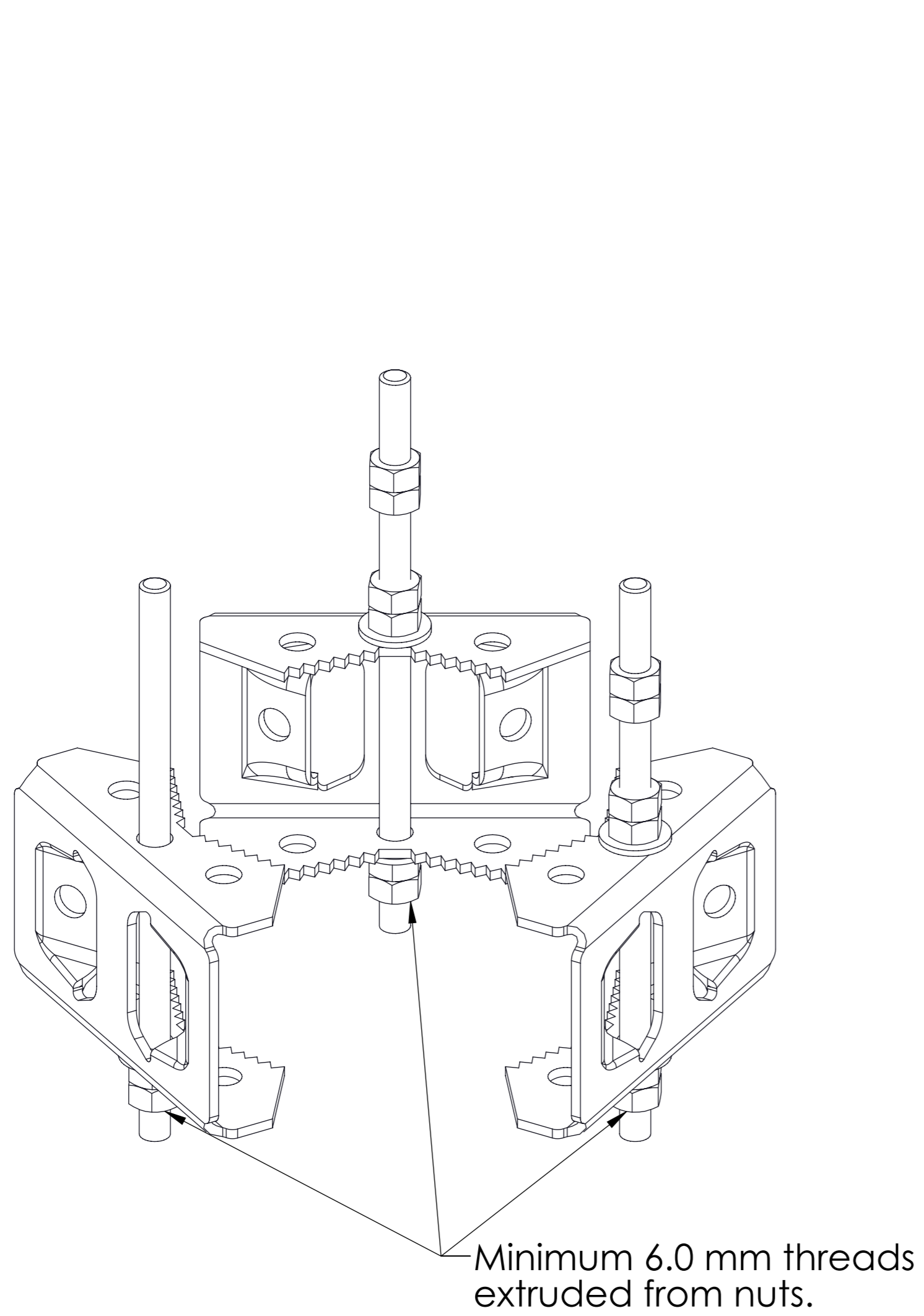
Do not install on a wet or windy day or when lightning or thunder is in the area. Do not use metal ladder.



Wear shoes with rubber soles and heels. Wear protective clothing including a long-sleeved shirt and rubber gloves.

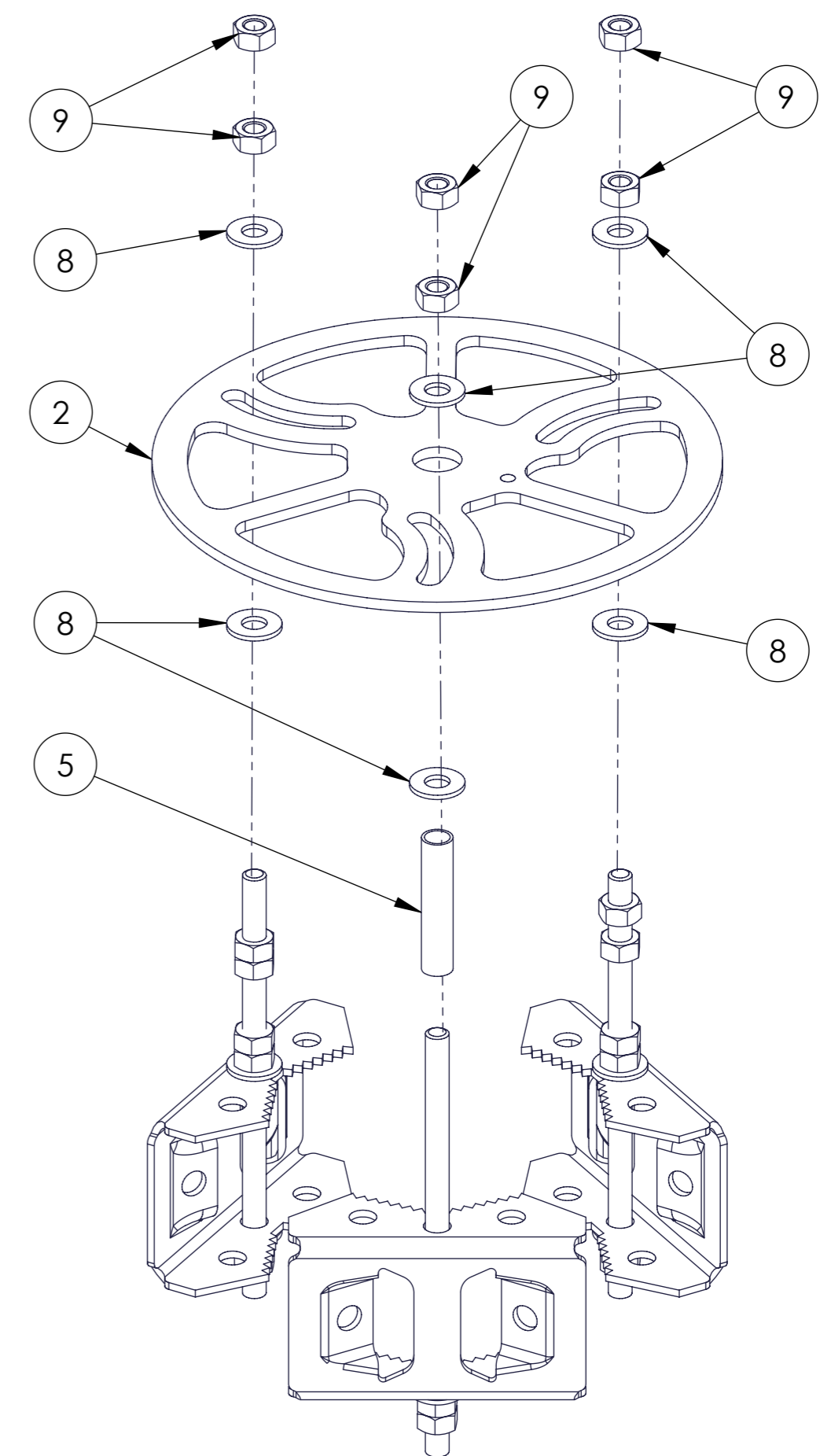
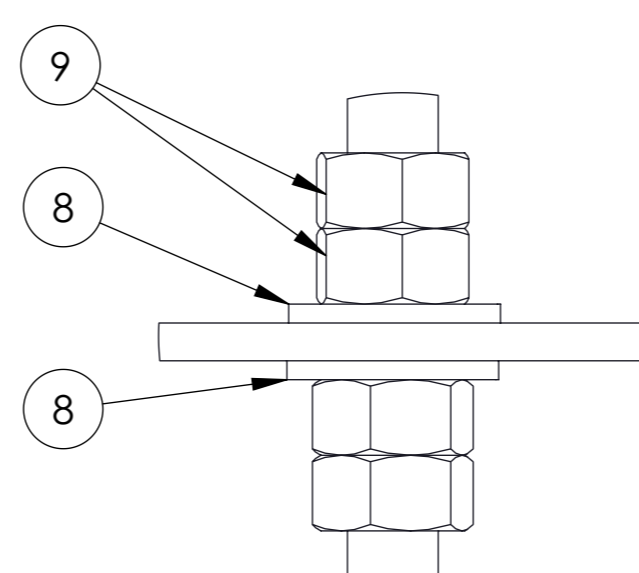
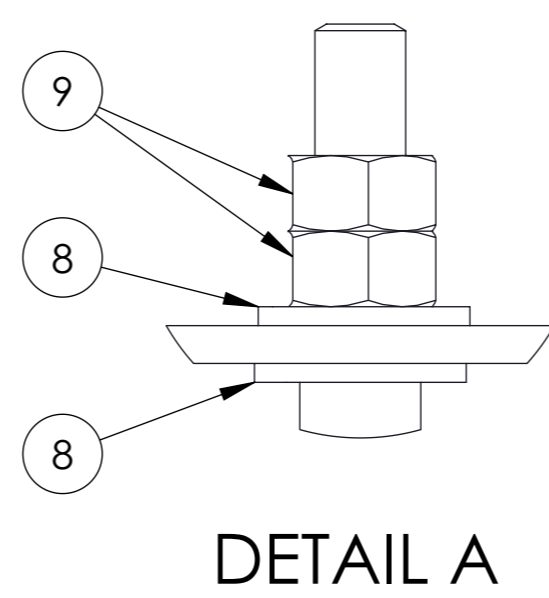
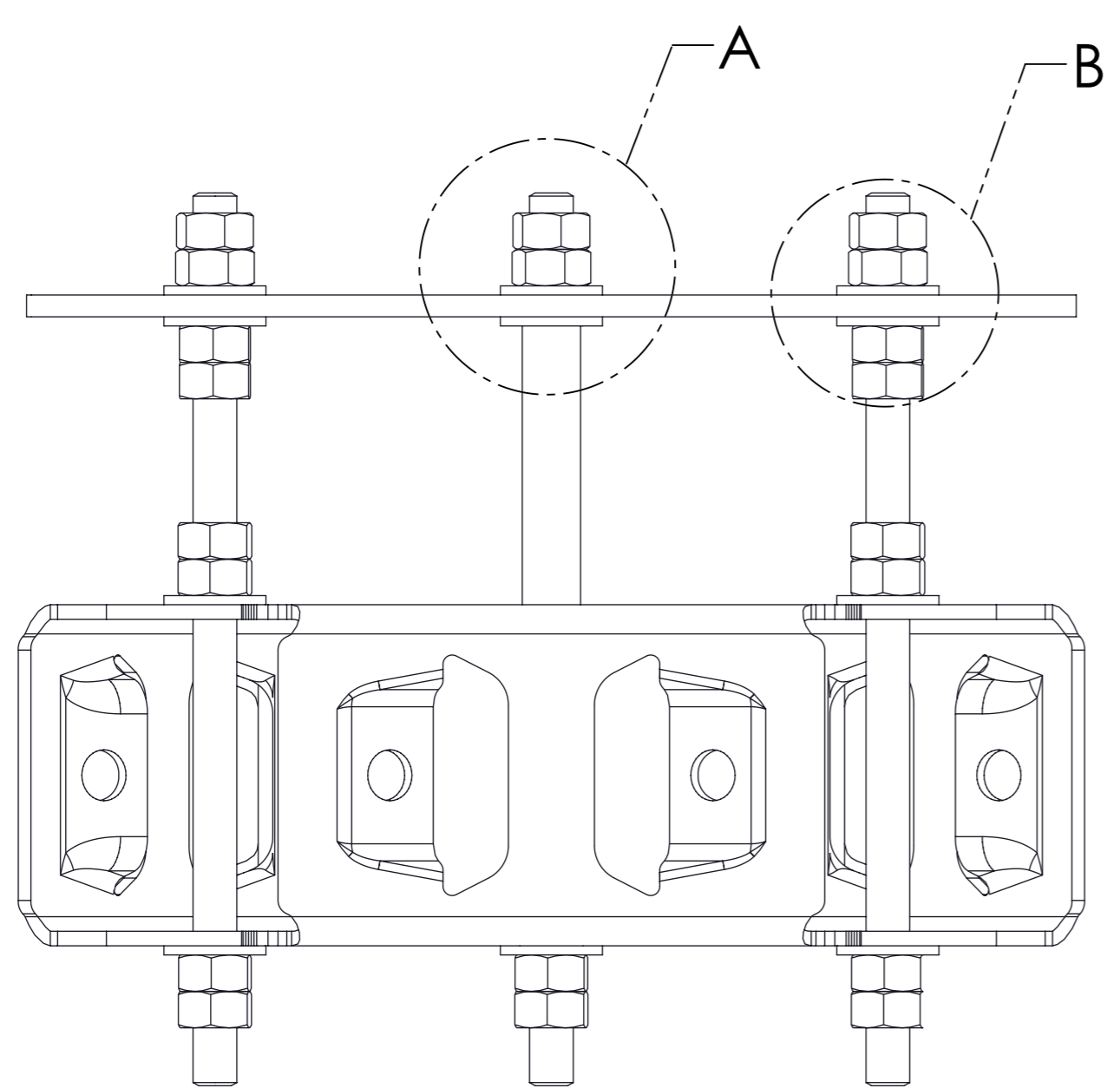
(Continued from page 1)

**Top of Pole Mounting Option**



MC-MNT-TS1

**Top of Pole Mounting Option**



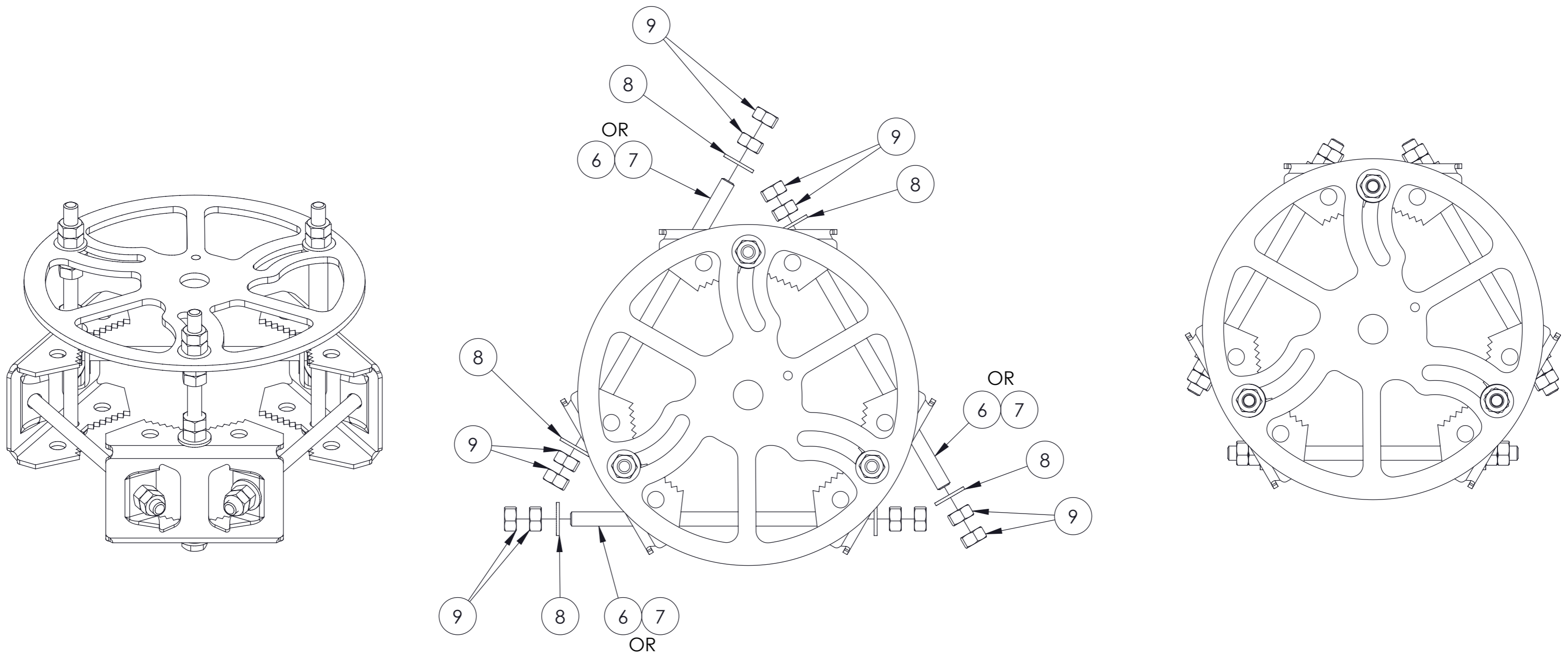
MC-MNT-TS1



(Continued from page 2)

**Top of Pole Mounting Option**

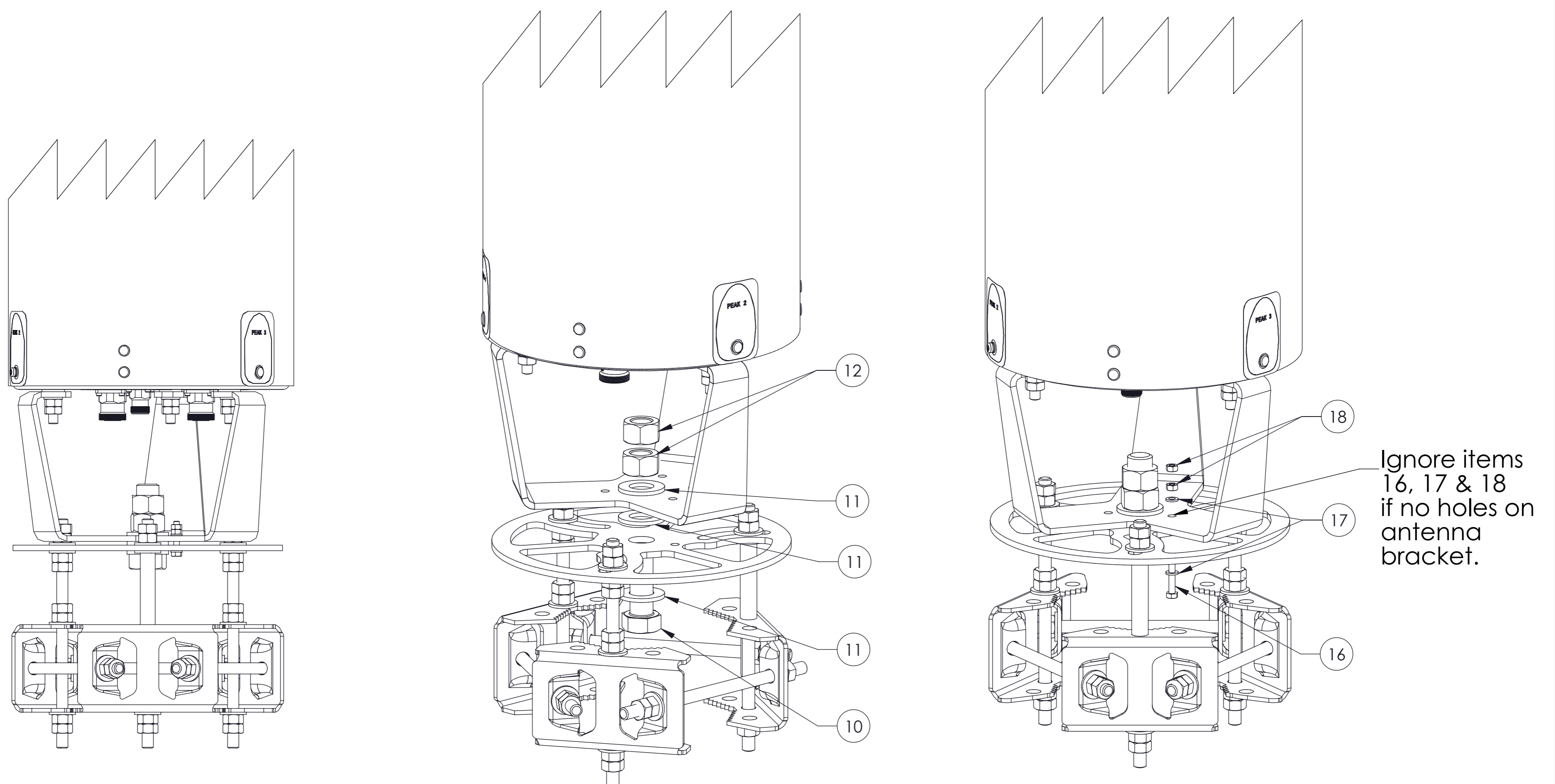
**ATTENTION: Measure pole diameter to choose proper stud length prior to assembly.**



Pole Diameter	Stud Length
86 mm ~ 168 mm	215 mm
168 mm ~ 195 mm	245 mm

MC-MNT-TS1

**Top of Pole Mounting Option**

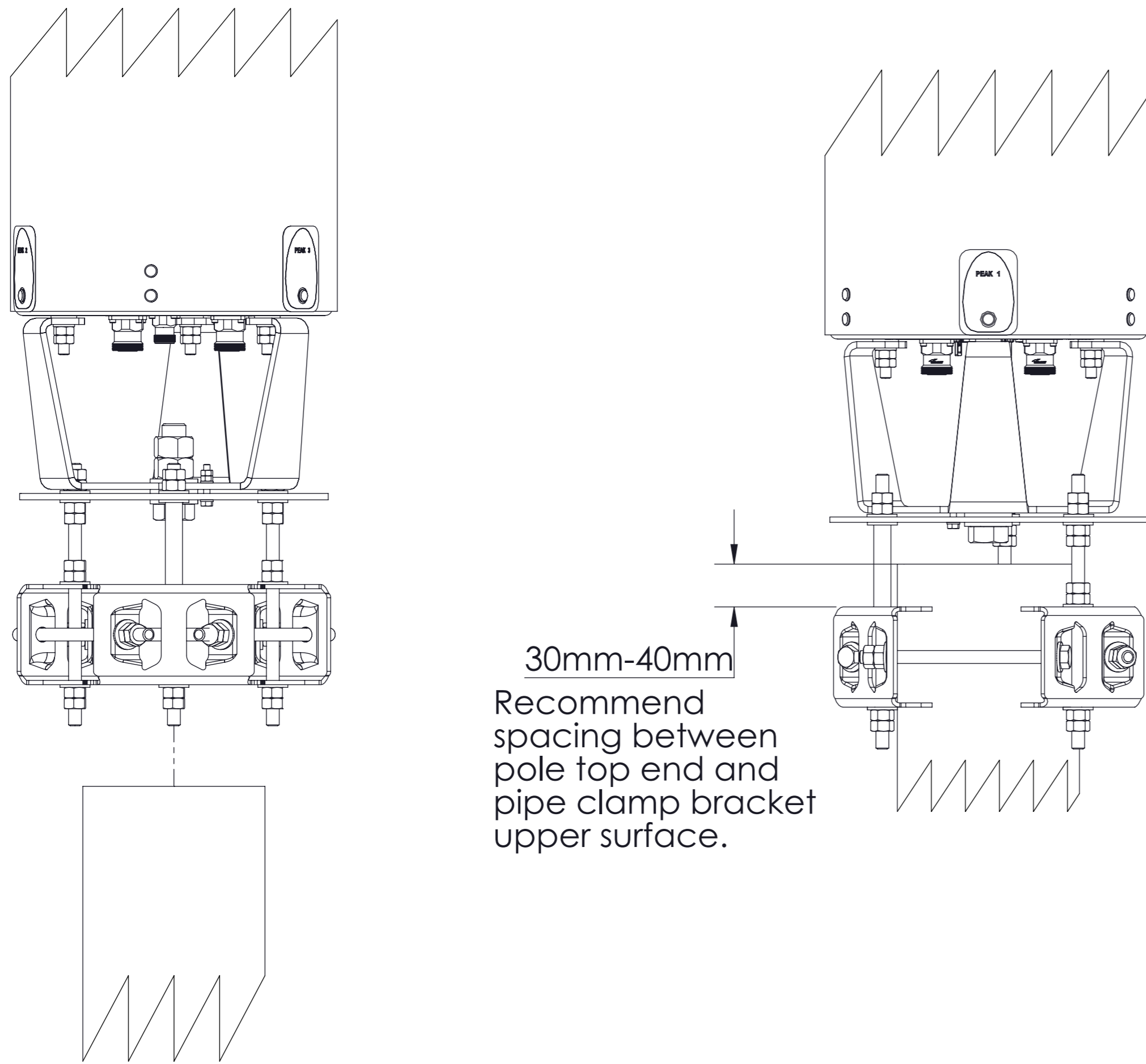


MC-MNT-TS1

(Continued from page 3)

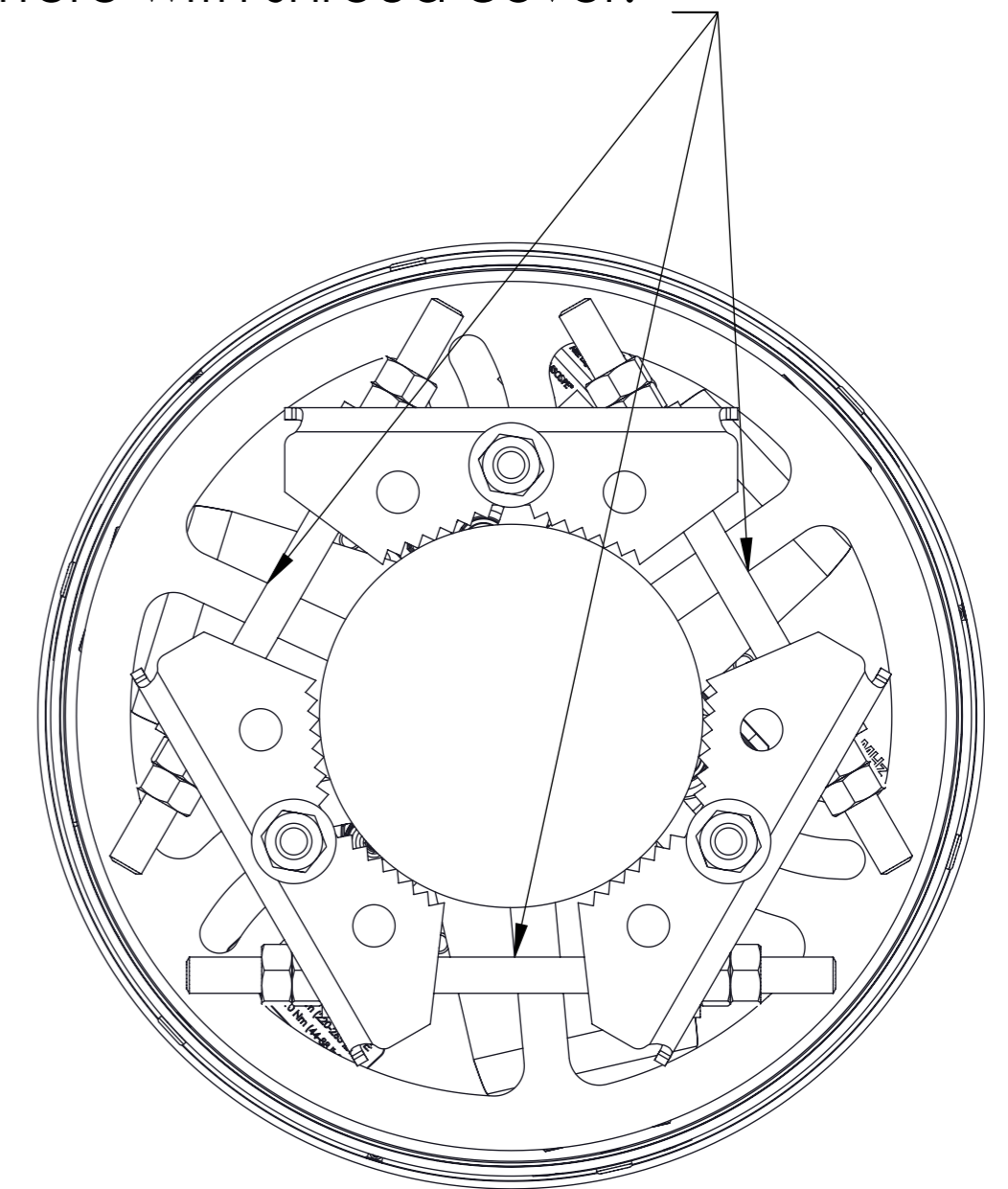
**Top of Pole Mounting Option**

**ATTENTION: Tighten three M12 fasteners on pipe clamp brackets.**



30mm-40mm  
Recommend spacing between pole top end and pipe clamp bracket upper surface.

Position the pipe clamp brackets equally screws around the pole. Three M12 fasteners should have similar length thread engagement when they are tightened, or studs might interfere with shroud cover.

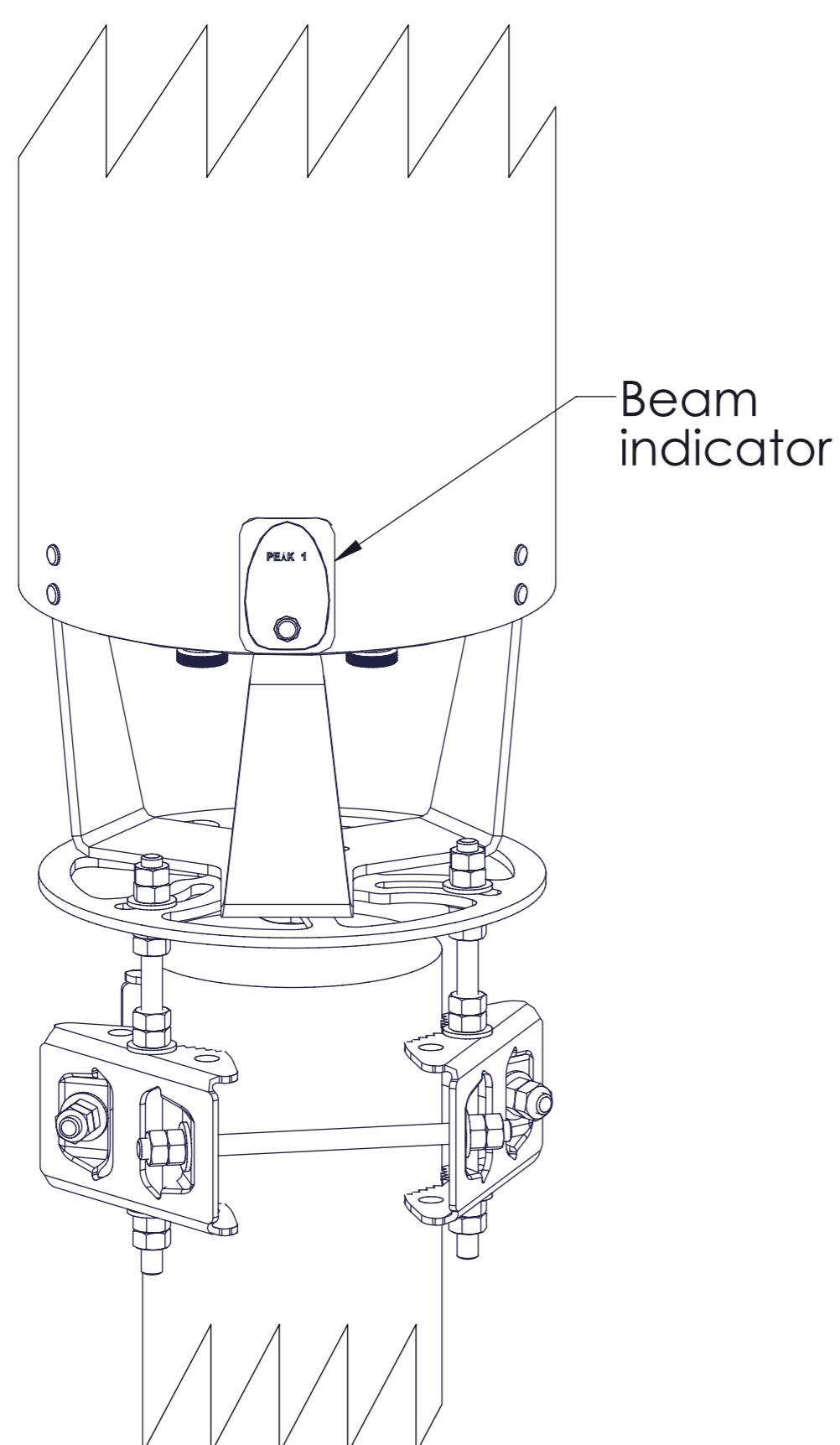


MAXIMUM TORQUE VALUES	
M12	58 N.m (43ft lbs)
M24	100 N.m (74ft lbs)

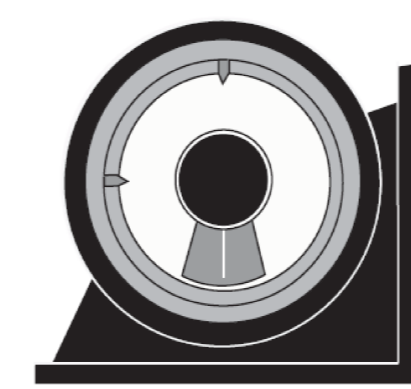
MC-MNT-TS1

**Top of Pole Mounting Option**

**ATTENTION: Orient the antenna unit so that the beam indicator on each antenna is directed where beam is desired.**

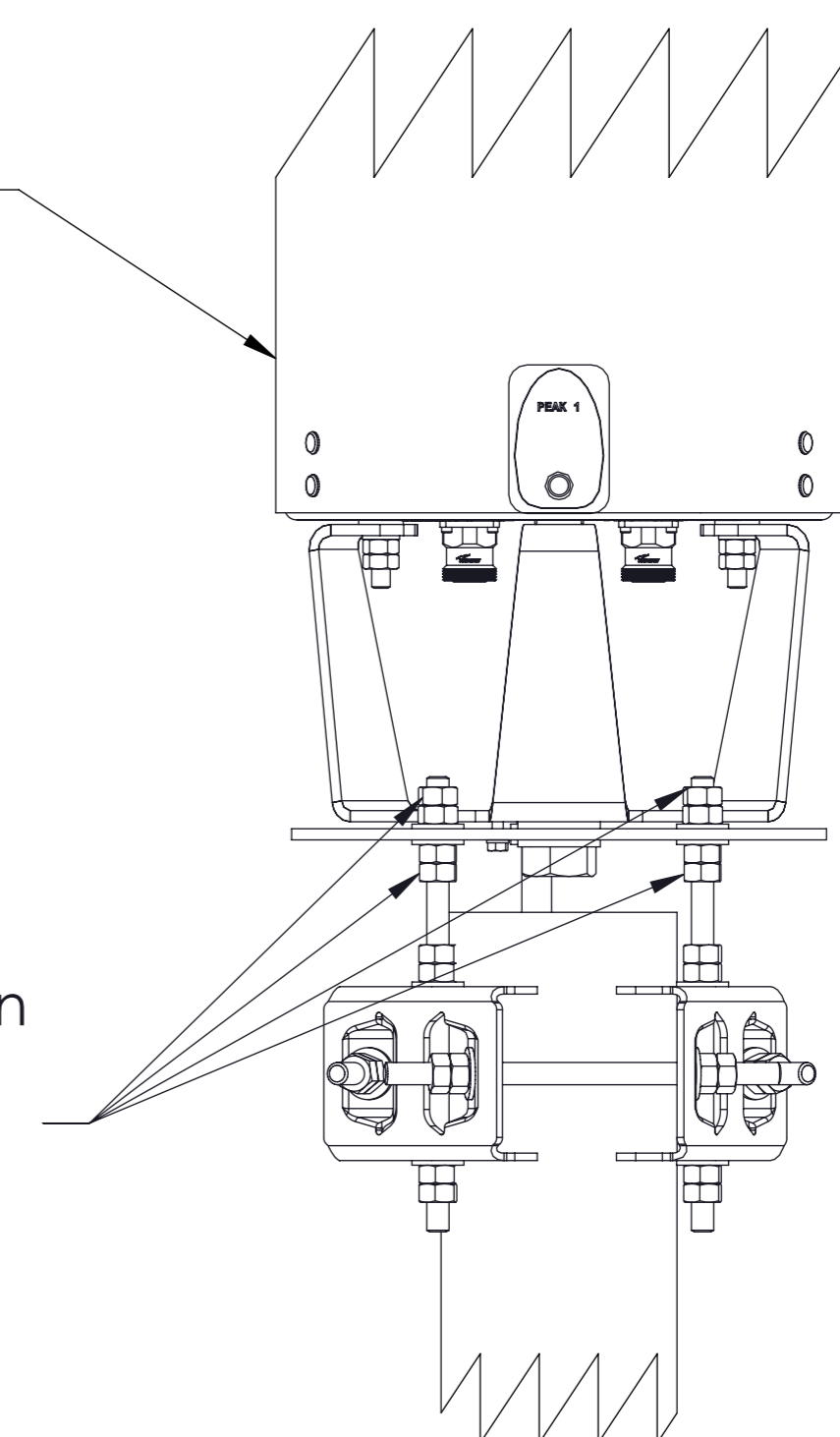


**ATTENTION: Tighten M24 screws firstly, then tighten M6 screw and other fasteners**



Use inclinometer to verify antenna is truly vertical

Adjust nuts position to assure antenna is truly vertical.



MAXIMUM TORQUE VALUES	
M6	4 N.m (3ft lbs)
M12	58 N.m (43ft lbs)
M24	100 N.m (74ft lbs)

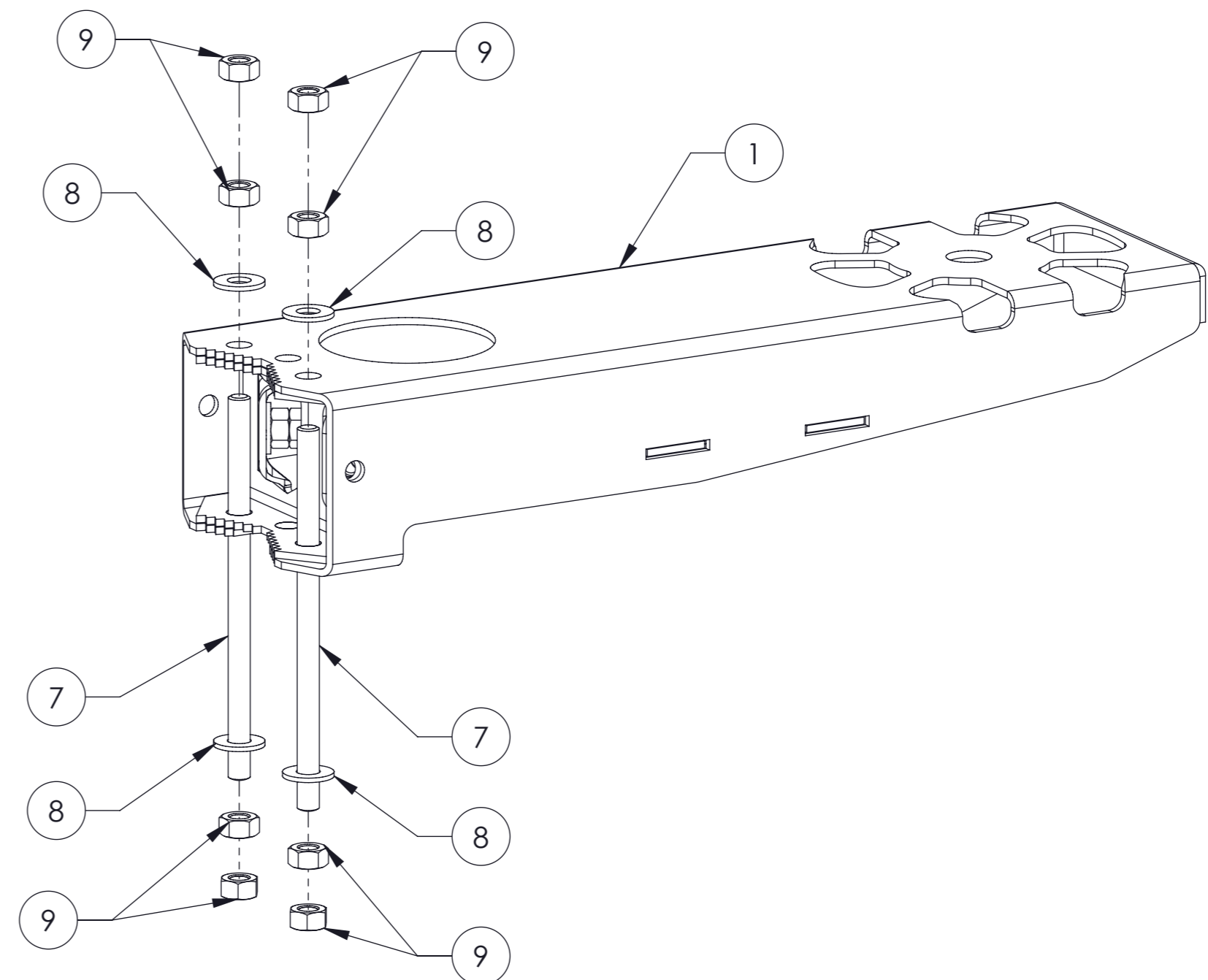
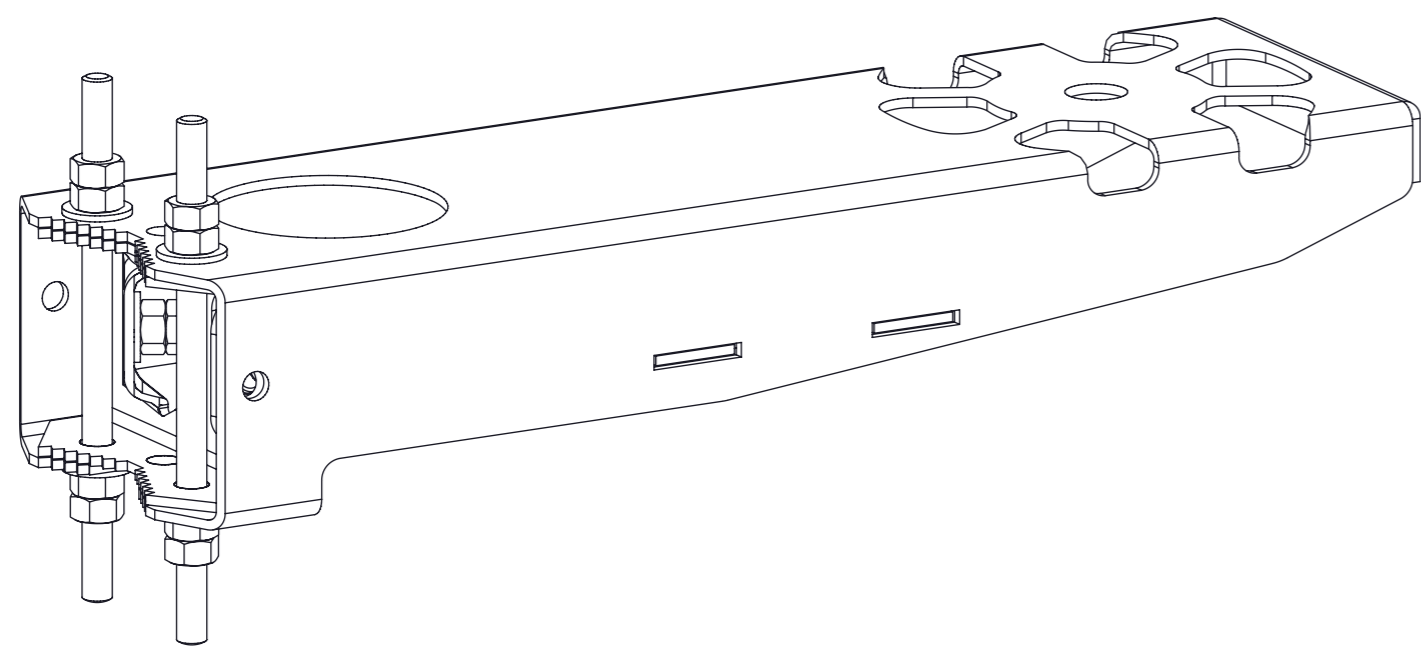
MC-MNT-TS1



(Continued from page 4)

**Offset of Pole Mounting Option**

**ATTENTION: Tighten M12 Nuts.**

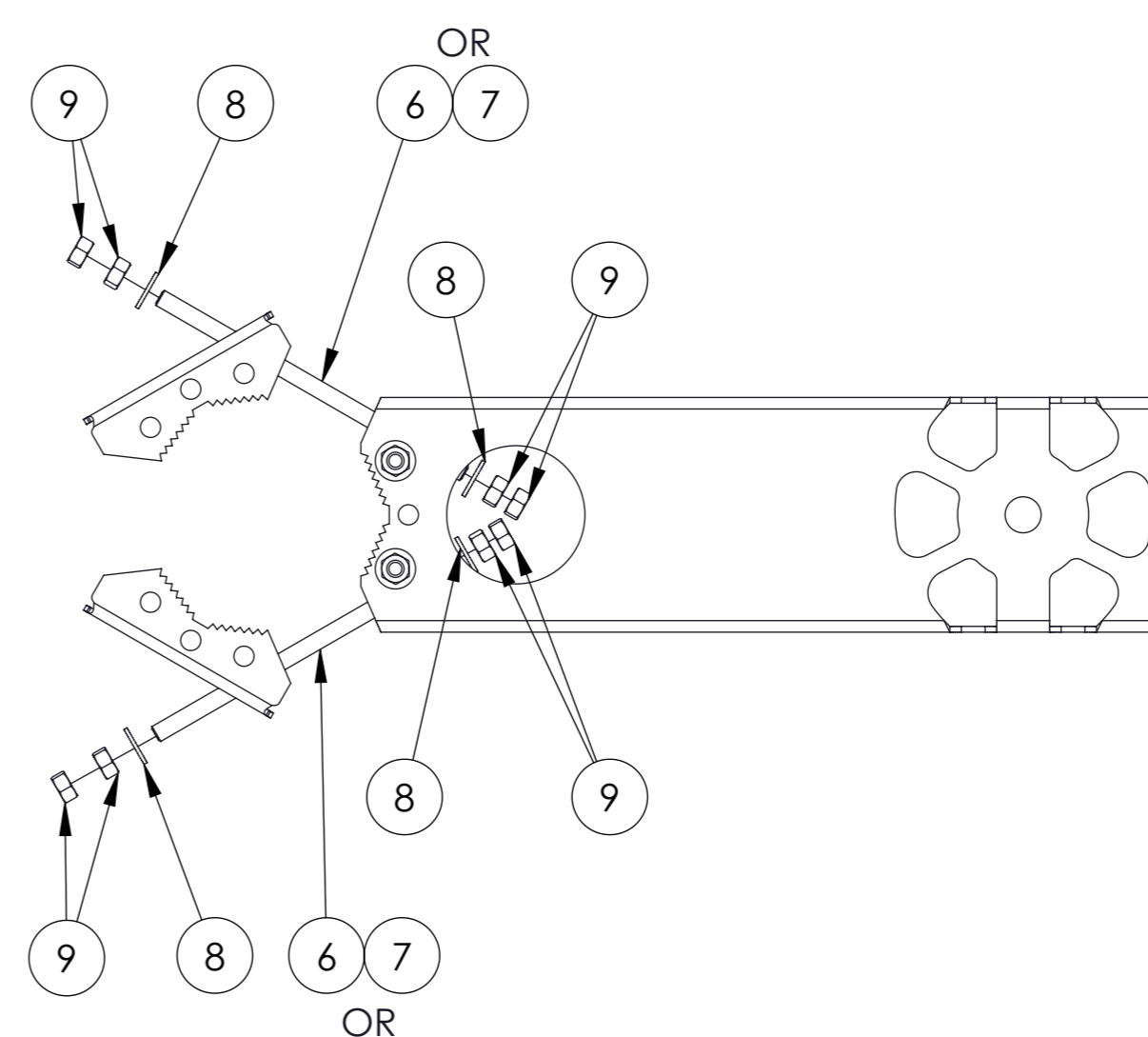
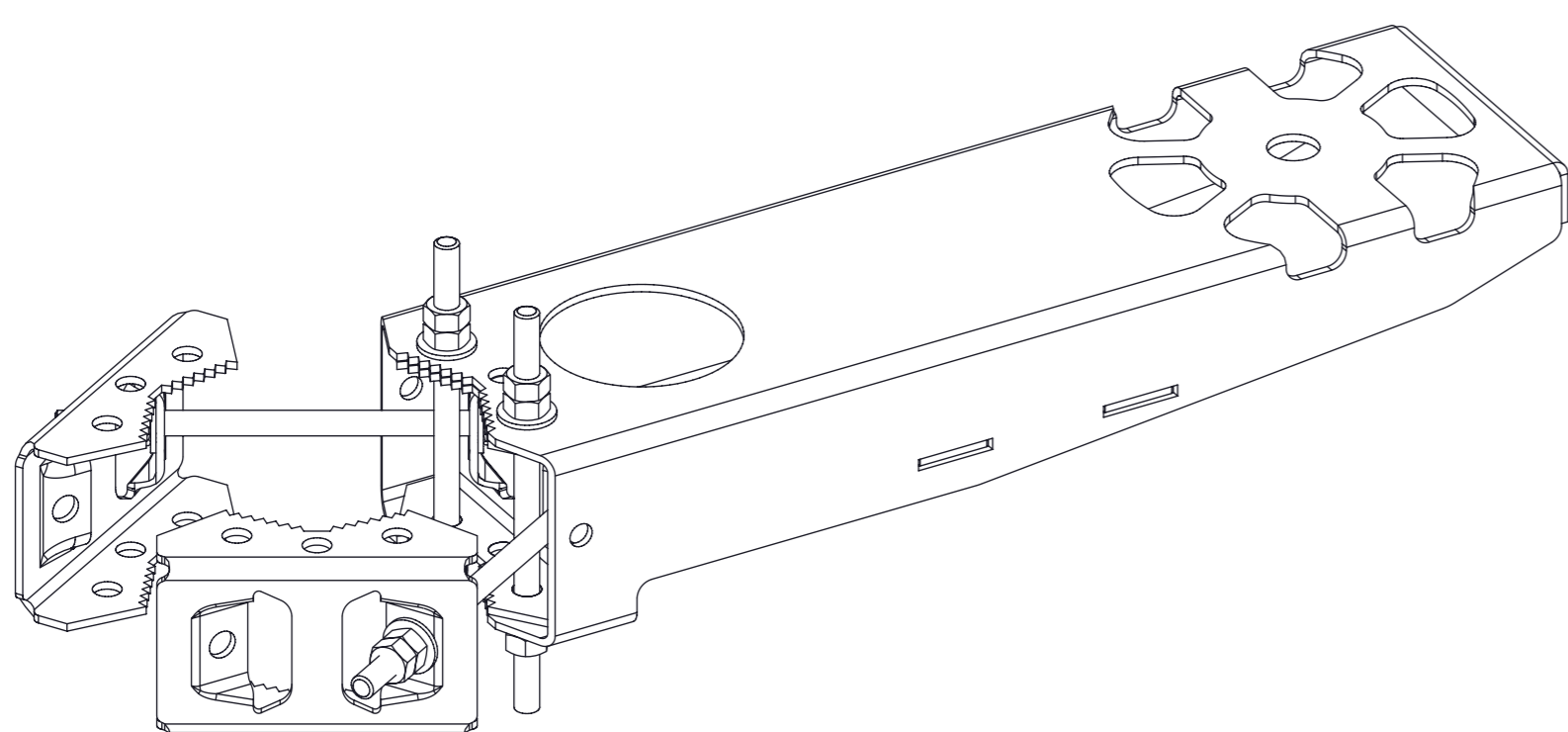


MAXIMUM TORQUE VALUES	
M12	58 N.m (43ft lbs)

MC-MNT-TS1

**Offset of Pole Mounting Option**

**ATTENTION: Measure pole diameter to choose proper studs length prior to assembly.**



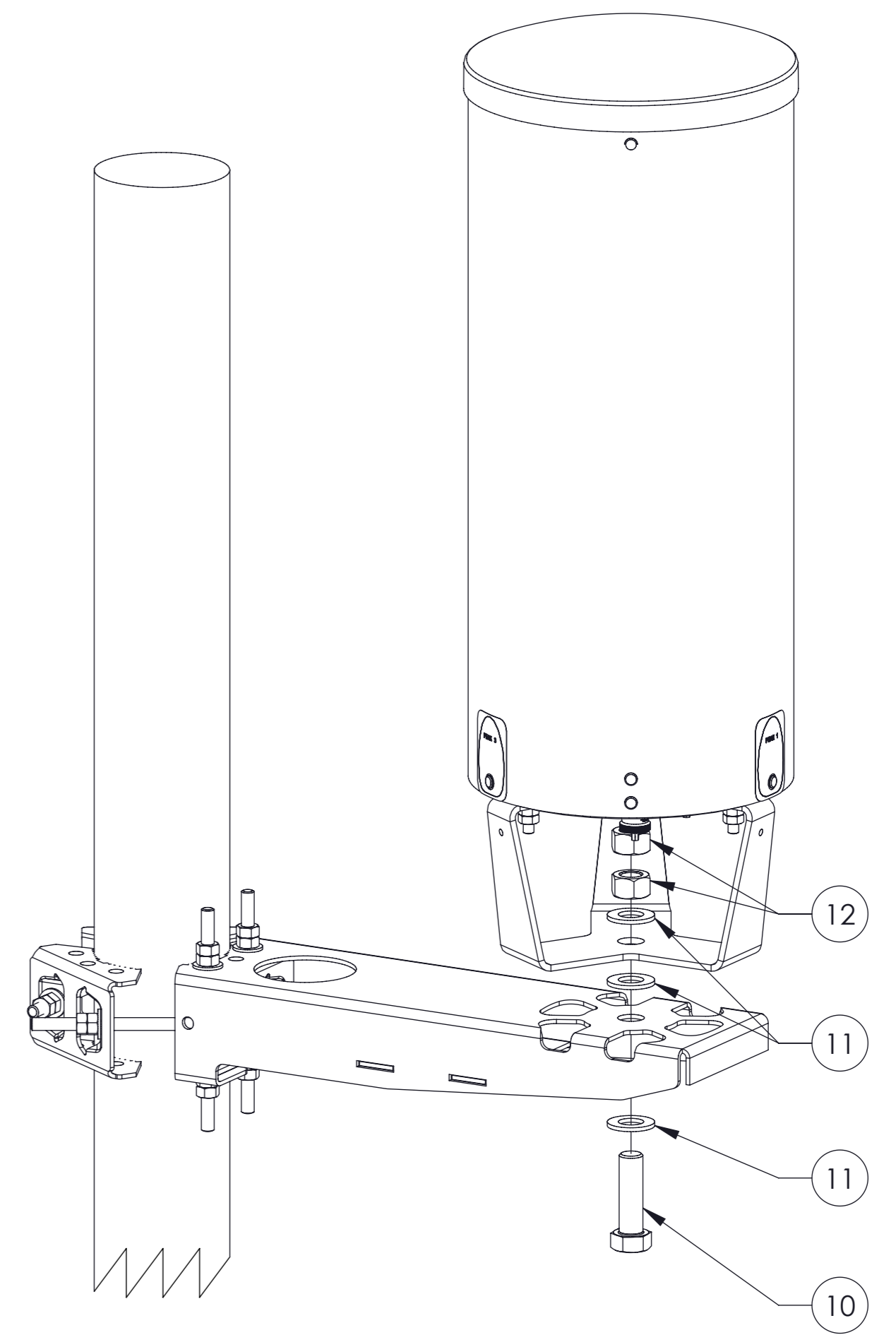
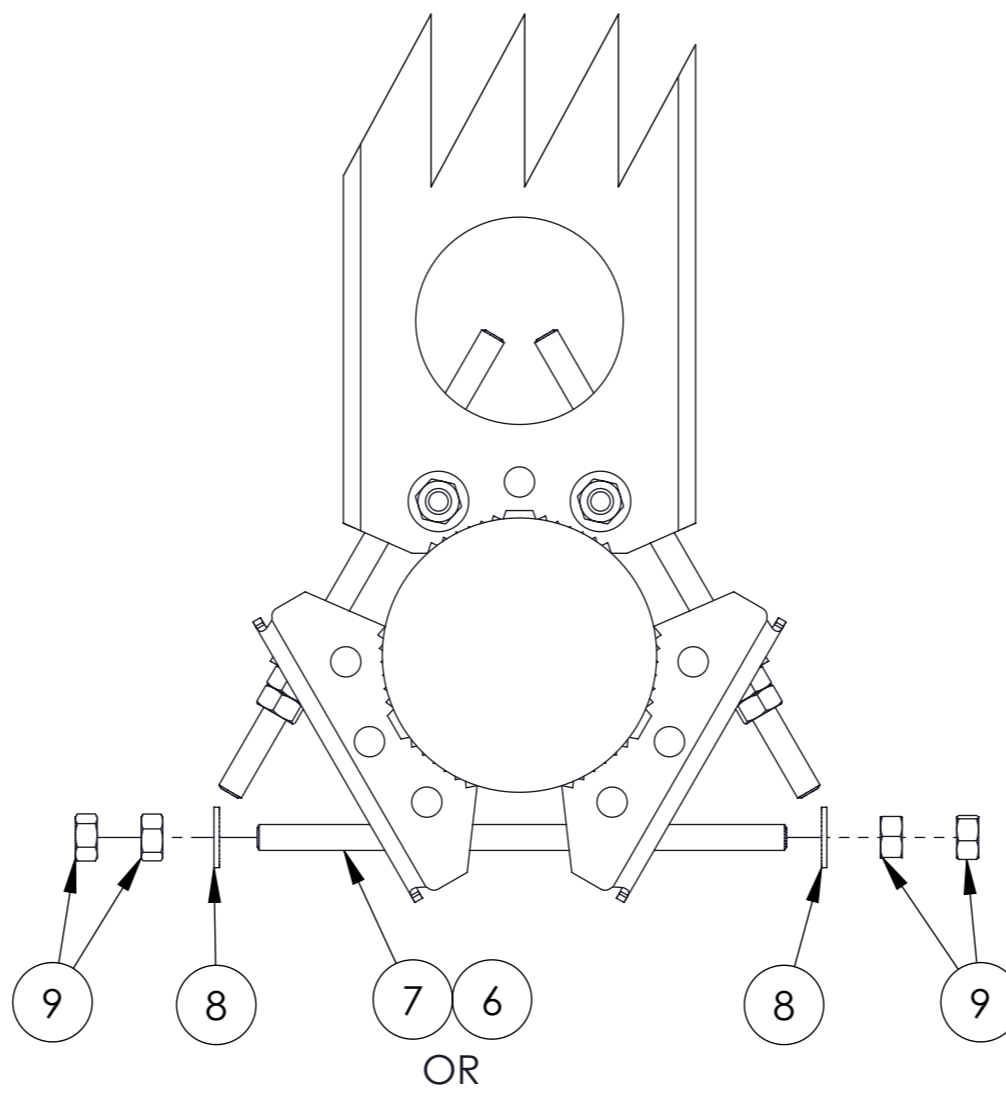
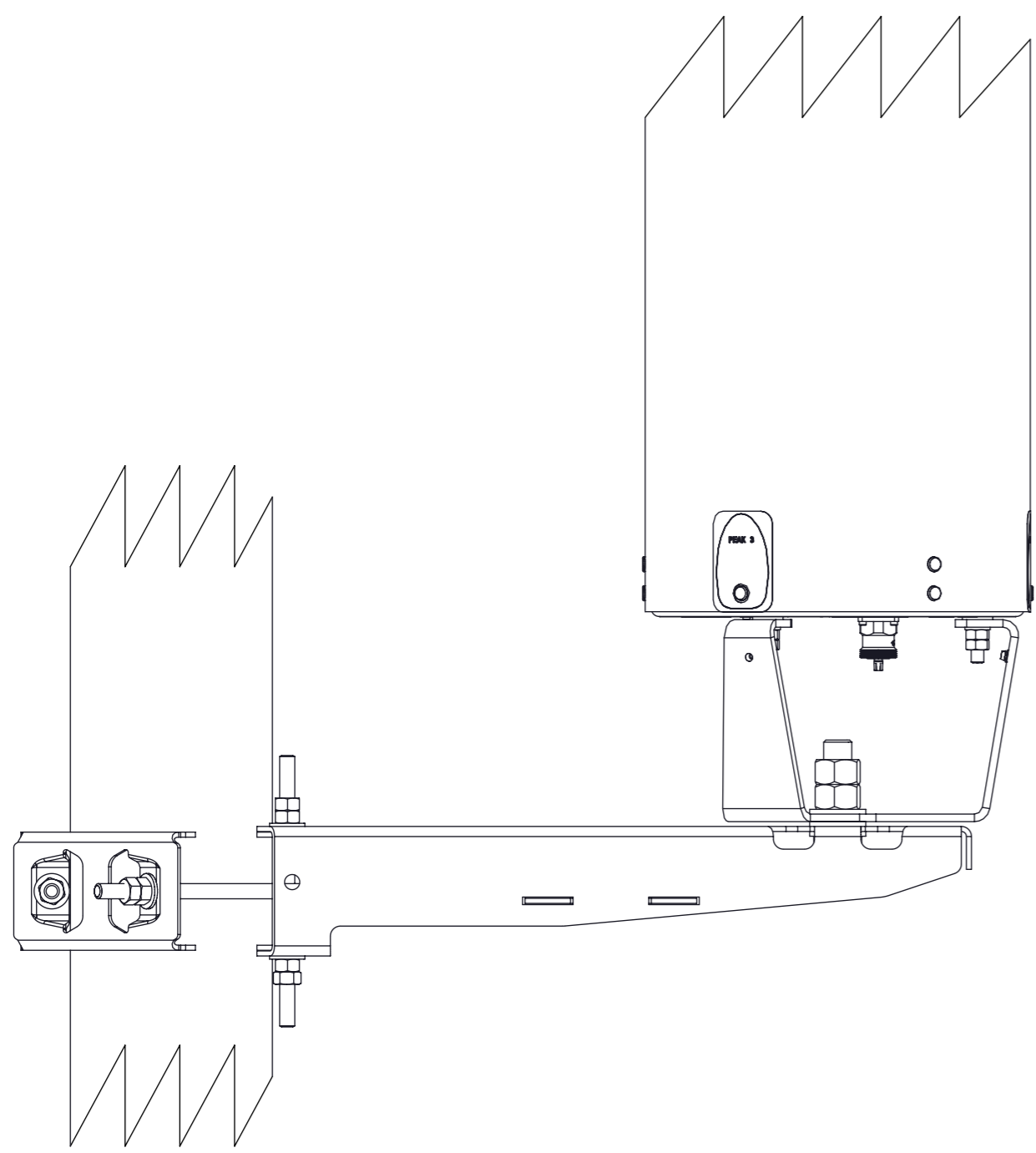
Pole Diameter	Stud Length
86 mm ~ 168 mm	215 mm
168 mm ~ 195 mm	245 mm

MC-MNT-TS1

(Continued from page 5)

**Offset of Pole Mounting Option**

**ATTENTION: Tighten M12 fasteners.**

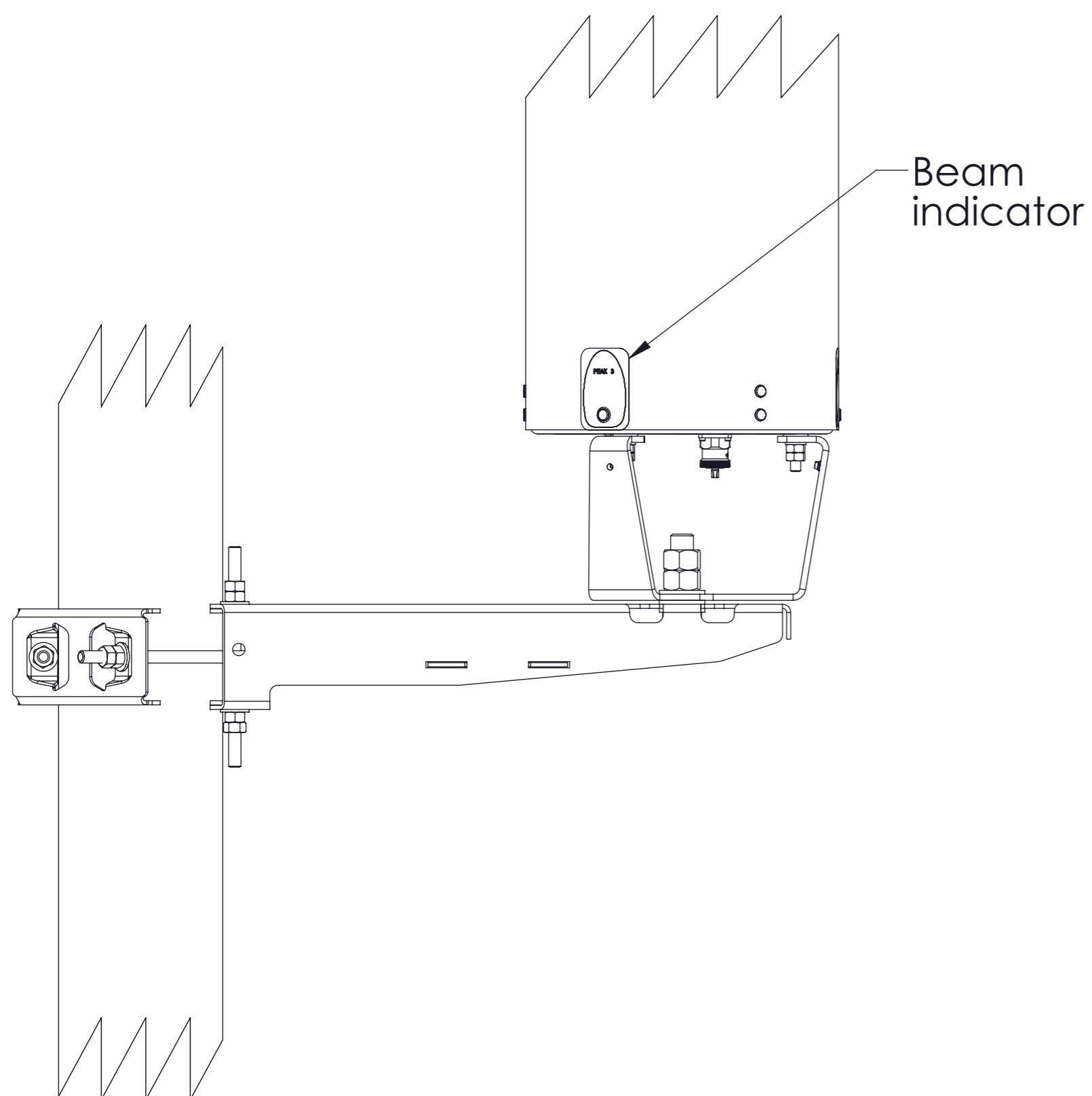


MAXIMUM TORQUE VALUES	
M12	58 N.m (43ft lbs)
M24	100 N.m (74ft lbs)

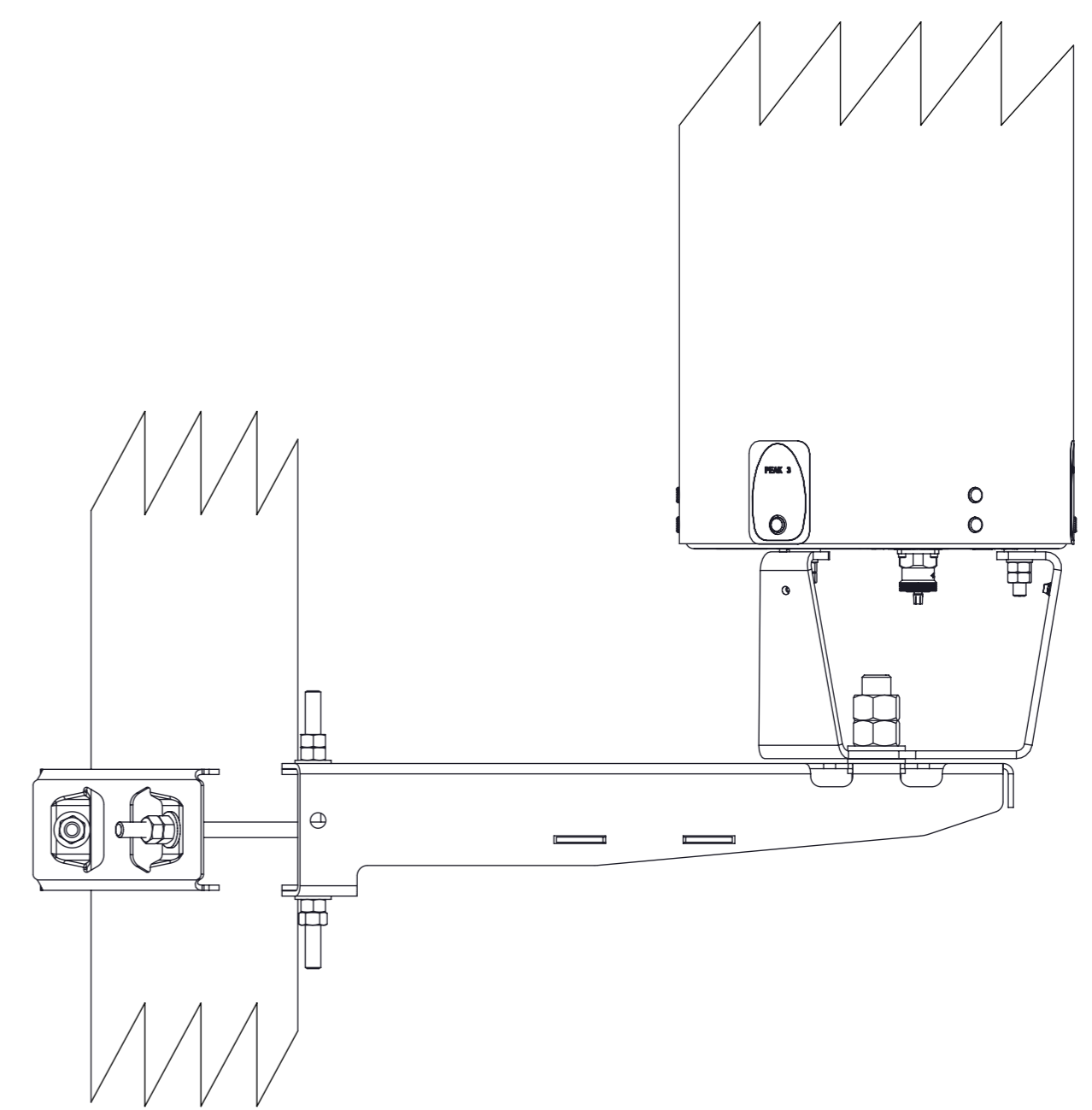
MC-MNT-TS1

**Offset of Pole Mounting Option**

**ATTENTION: Orient the antenna unit so that the beam indicator on each antenna is directed where beam is desired.**



**ATTENTION: Tighten all fasteners**



MAXIMUM TORQUE VALUES	
M12	58 N.m (43ft lbs)
M24	100 N.m (74ft lbs)

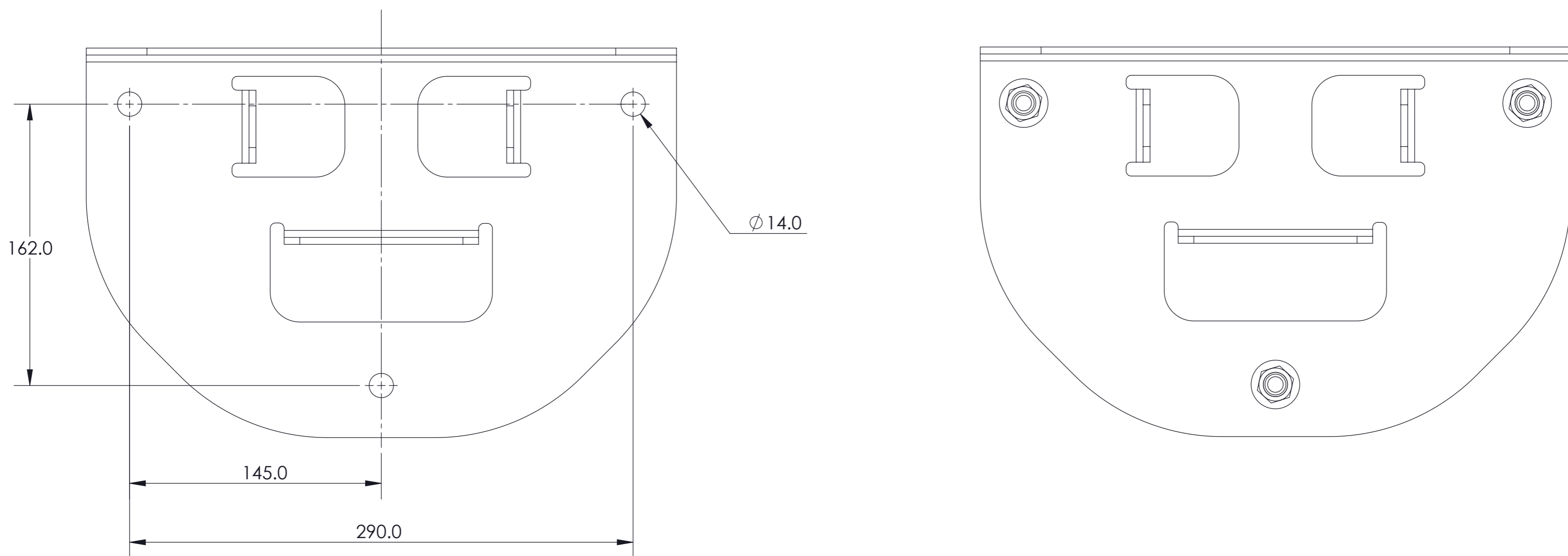
MC-MNT-TS1

(Continued from page 6)

**Wall Mount Option**

Hardware to attach bracket to wall is not included. M12 hardware is recommended.

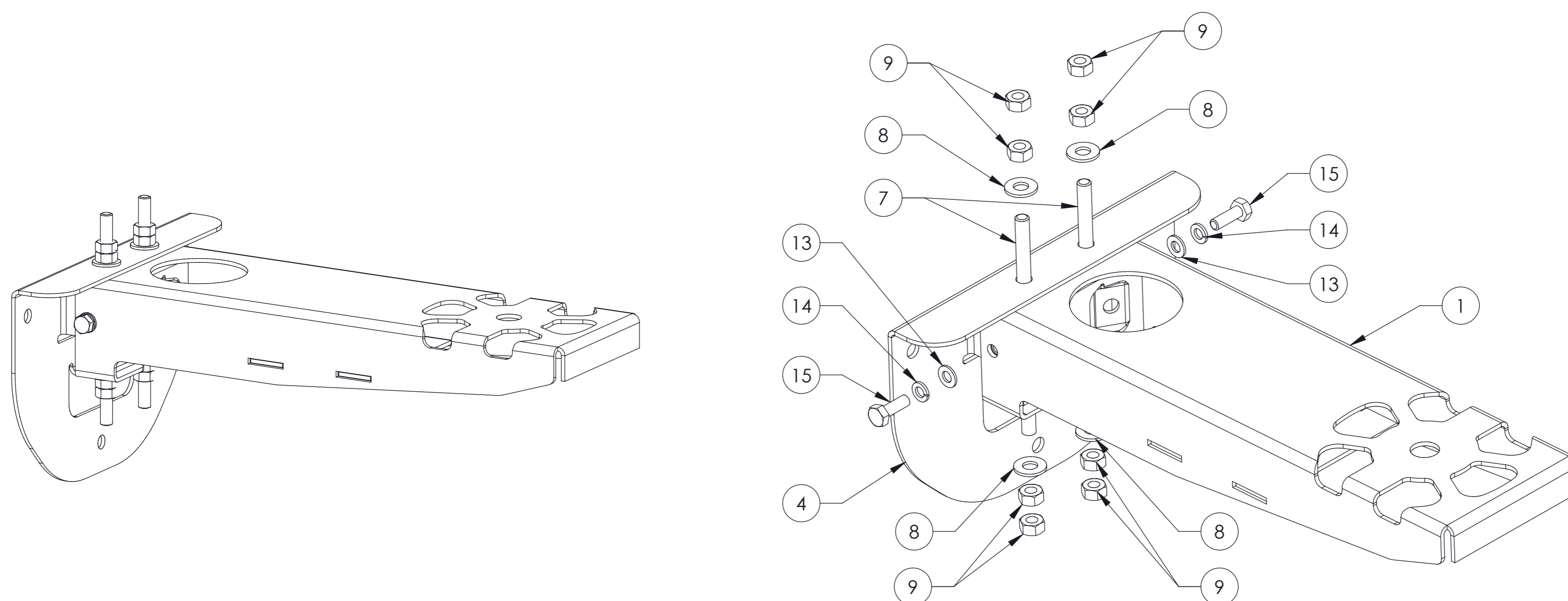
Minimum pull out force is 4.4 KN.  
Minimum shear force is 2.4 KN.



WALL MOUNT HOLE INTERFACE

**Wall Mount Option**

**ATTENTION: Tighten all fasteners**

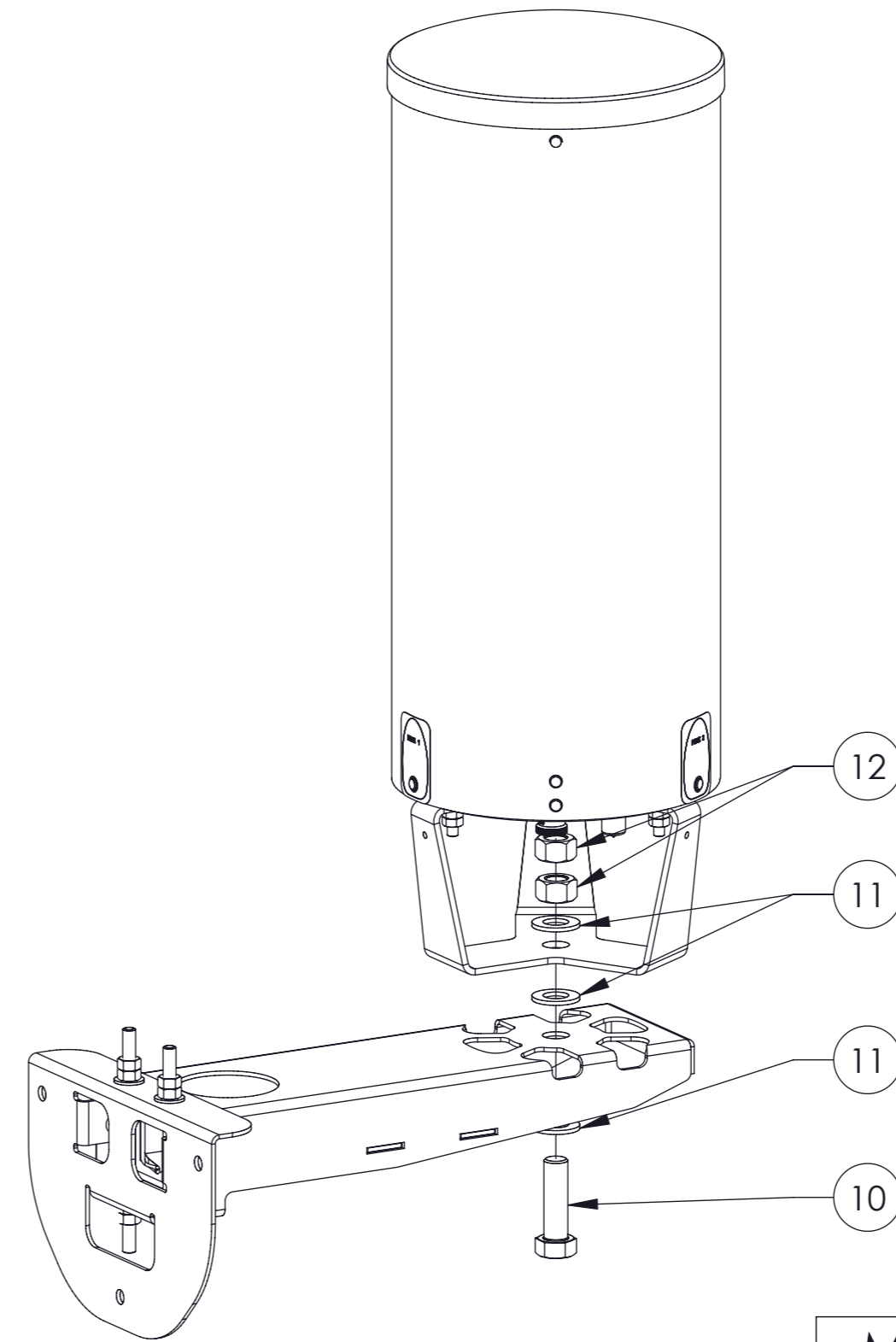
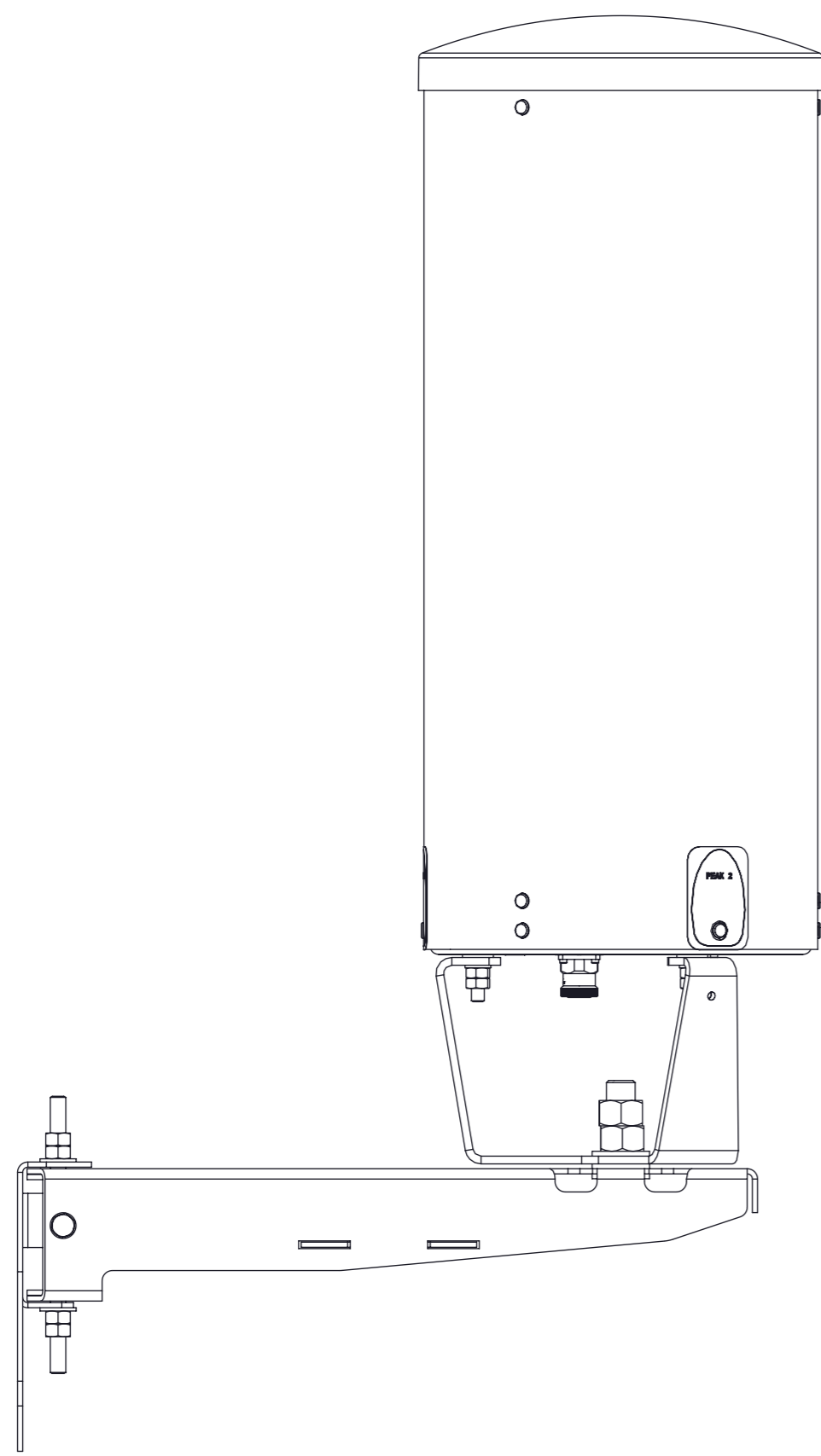


MAXIMUM TORQUE VALUES	
M10	25 N.m (18.5ft lbs)
M12	58 N.m (43ft lbs)
M24	100 N.m (74ft lbs)



(Continued from page 7)

**Wall Mount Option**

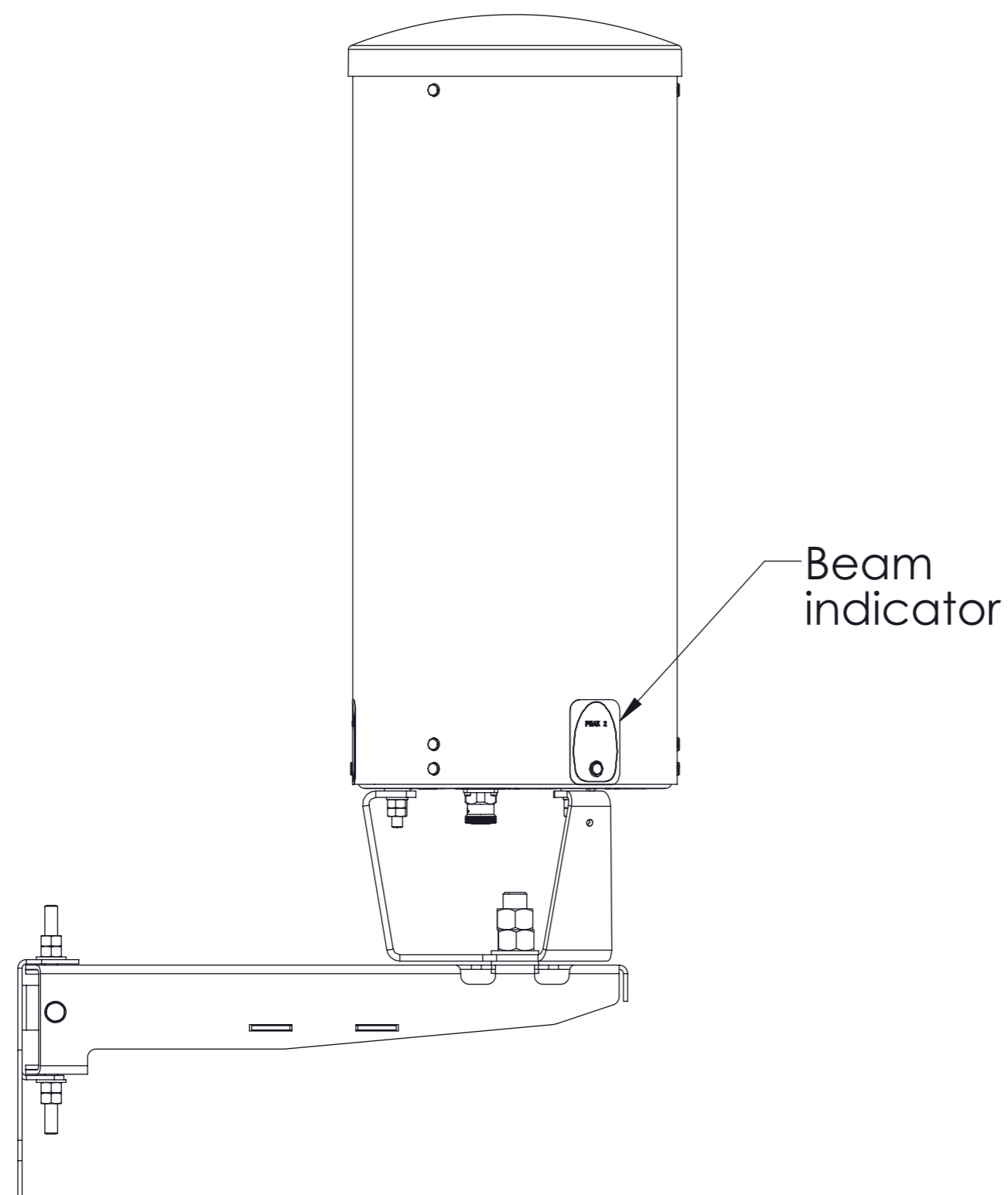


MAXIMUM TORQUE VALUES	
M10	25 N.m (18.5ft lbs)
M12	58 N.m (43ft lbs)
M24	100 N.m (74ft lbs)

MC-MNT-TS1

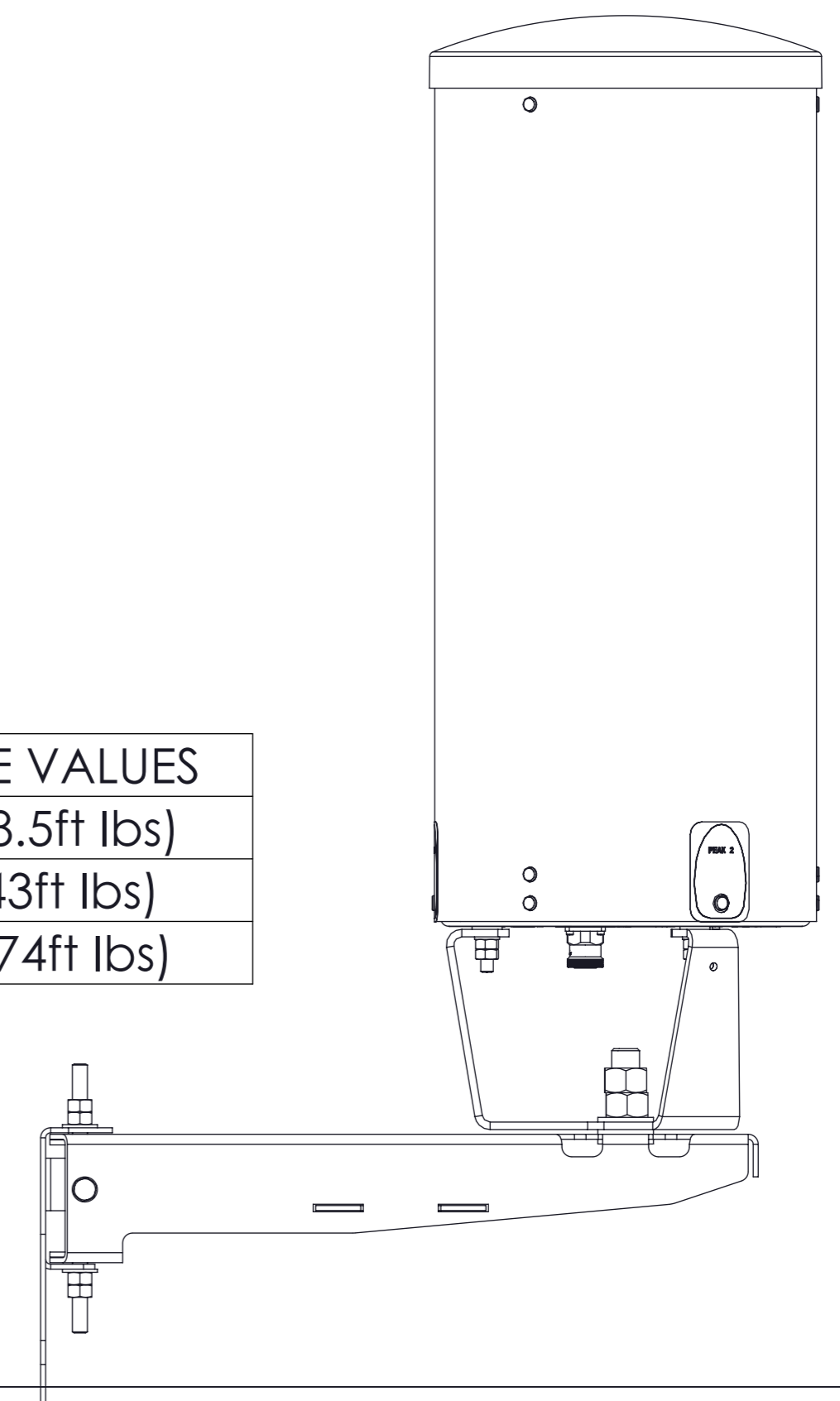
**Wall Mount Option**

**ATTENTION: Orient the antenna unit so that the beam indicator on each antenna is directed where beam is desired.**



**ATTENTION: Tighten all fasteners**

MAXIMUM TORQUE VALUES	
M10	25 N.m (18.5ft lbs)
M12	58 N.m (43ft lbs)
M 24	100 N.m (74ft lbs)



MC-MNT-TS1

**CommScope**

1100 CommScope Place SE P.O. Box 339, Hickory, NC 28603-0339  
 (828) 324-2200 (800) 982-1708  
[www.commscope.com/andrew](http://www.commscope.com/andrew)

**Customer Service 24 hours**

North America: +1-800-255-1479 (toll free)  
 Any country: +1-779-435-6500  
 email: [acicustomersupportcenter@commscope.com](mailto:acicustomersupportcenter@commscope.com)

Notice: CommScope disclaims any liability or responsibility for the results of improper or unsafe installation, inspection, maintenance, or removal practices.  
 Aviso: CommScope no acepta ninguna obligación ni responsabilidad como resultado de prácticas incorrectas o peligrosas de instalación, inspección, mantenimiento o retiro.  
 Avis: CommScope décline toute responsabilité pour les conséquences de procédures d'installation, d'inspection, d'entretien ou de retrait incorrectes ou dangereuses.  
 Hinweis: CommScope lehnt jede Haftung oder Verantwortung für Schäden ab, die aufgrund unsachgemäßer Installation, Überprüfung, Wartung oder Demontage auftreten.  
 Atenção: A CommScope abdica do direito de toda responsabilidade pelos resultados de práticas inadequadas e sem segurança de instalação, inspeção, manutenção ou remoção.  
 Avvertenza: CommScope declina eventuali responsabilità derivanti dall'esecuzione di procedure di installazione, ispezione, manutenzione e smontaggio improprie o poco sicure.  
 注意: CommScope 公司申明对于不恰当或不安全的安装、检验、维修或拆卸 操作所导致的后果不负任何义务和责任。