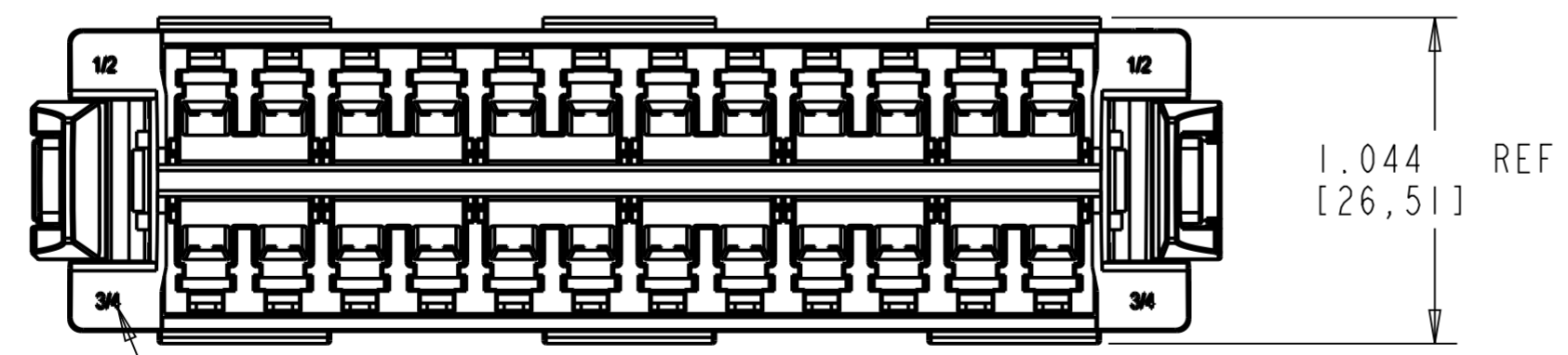
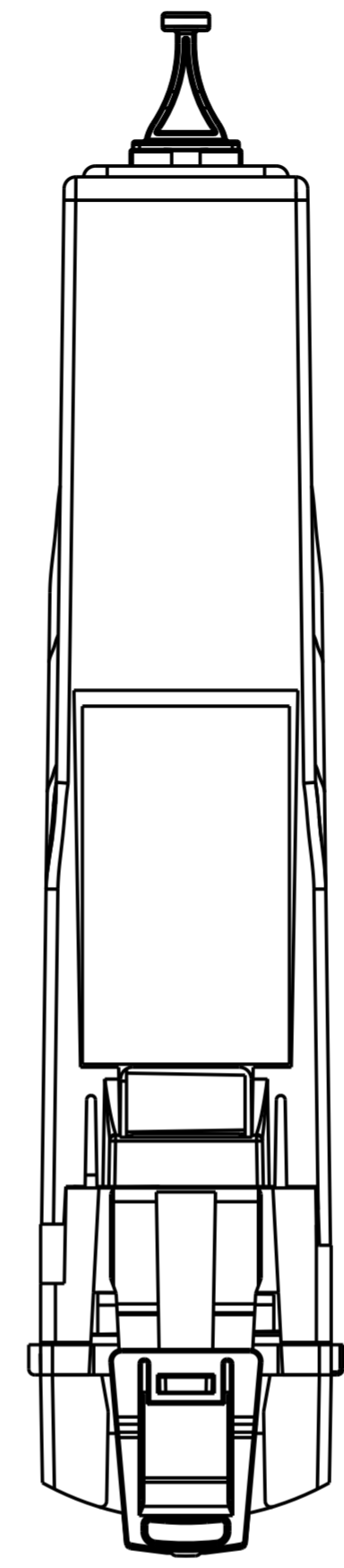
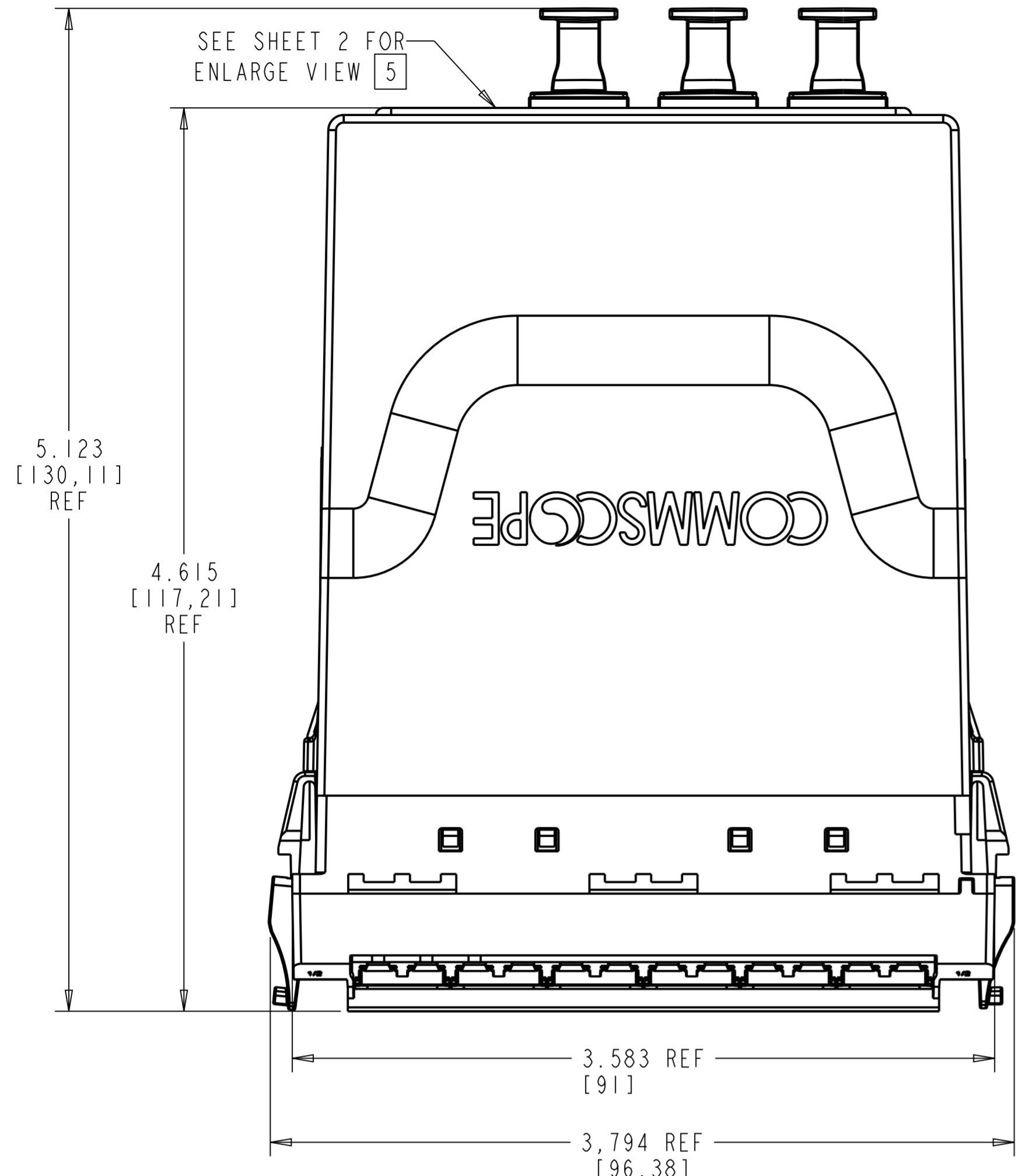


REVISIONS			
REV	DESCRIPTION	DATE	APPROVED
A	8000022009	1-APR-2017	MJM
B	40053251CMO	31-OCT-2017	LJM



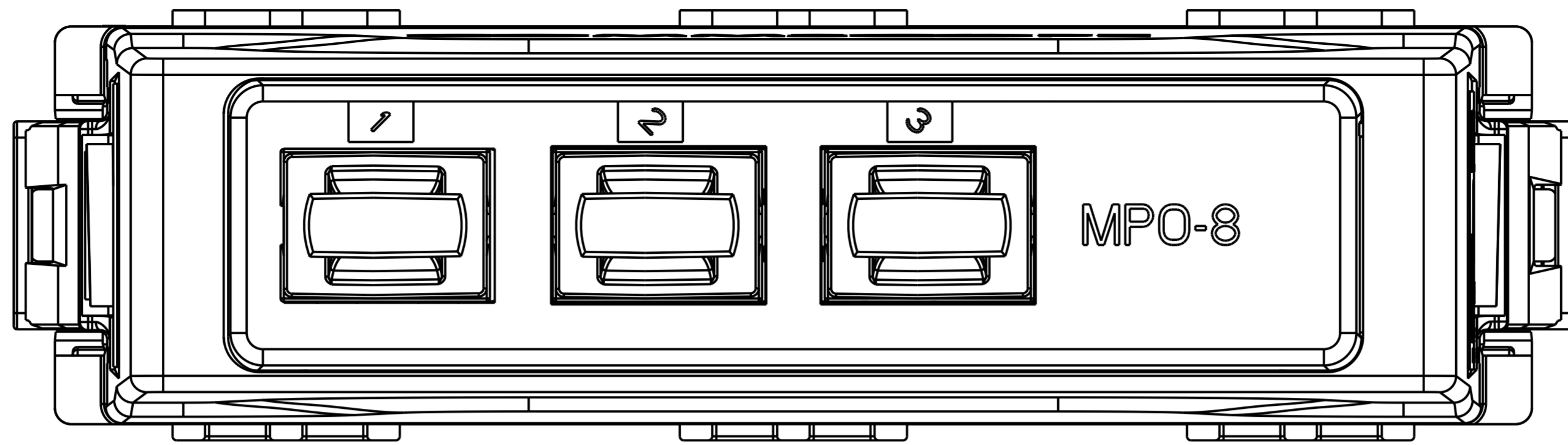
NOTES:

- SEE SYSTIMAX CATALOG FOR PART NUMBER SUFFIXES TO INDICATE COLOR/PKG.
- SEE SYSTIMAX CATALOG FOR COMPLETE LIST OF PARTS RELATED TO THE USE OF THIS PRODUCT.
- DIMENSION ARE IN INCHES (mm).
- PART INCLUDES: (1) ASSEMBLY, 24LC, MODULE.
- SEE SHEET 2 FOR FRONT & REAR VIEW PORT ASSIGNMENTS.

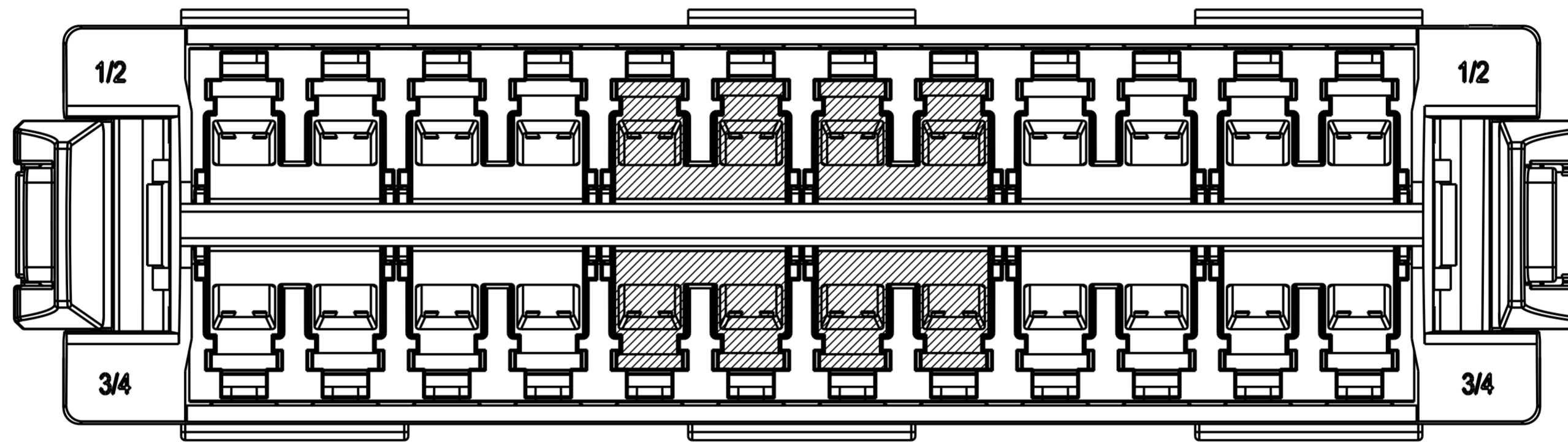
COMMSCOPE, INC.									
TOLERANCES					SAP MATERIAL MASTER				
SEE TABLE									
FINISH					MATERIAL				
N/A					N/A				
SYMBOLS AGREE WITH ASME Y14.5M - 2009. ALL SHEETS ARE THE SAME REVISION AND STATUS.	DRAFTER			TITLE					
	Mike Wentworth			INSTALL DRAWING, ULL MODULE, MPO-8 INTERNAL SHUTTER					
	CHECKER								
	Scott Sievers								
ENGINEER			SIZE	SCALE	DOCUMENT NO.				
Scott Sievers			A 2	1.750	660000704				
ECN									
40053251CMO									
ALL SURFACES		WORK AREA: 58		MODEL		DRAWING		SHEET	
✓		[Symbol]		VERSION	STATUS	REVISION	VERSION	STATUS	REVISION
				04			01	RE	B

DM08-24LC-WB-ULL-SAMPLE	G2 ULL MPO-8 MODULE, 3X8F MPO, OM5 SAMPLE
DM08-24LC-LS-ULL-SAMPLE	G2 ULL MPO-8 MODULE, 3X8F MPO, OM4 SAMPLE
DM08-24LC-WB-ULL	G2 ULL MPO-8 MODULE, 3X8F MPO, OM5
DM08-24LC-LS-ULL	G2 ULL MPO-8 MODULE, 3X8F MPO, OM4
PRODUCT CODE	DESCRIPTION

© 2017 CommScope, Inc. Confidential
 NOTICE: These drawings and specifications are the proprietary property of COMMSCOPE, INC. and may be used only for the specific purpose authorized in writing by COMMSCOPE, INC.



REAR VIEW (SCALE 3.500)



FRONT VIEW (SCALE 3.500)

LEFT GROUP OF DUPLEX LC PORTS	
MPO 1	LC
1	1B
2	2B
3	3B
4	4B
9	4A
10	3A
11	2A
12	1A

MIDDLE GROUP OF DUPLEX LC PORTS	
MPO 2	LC
1	1B
2	2B
3	3B
4	4B
9	4A
10	3A
11	2A
12	1A

RIGHT GROUP OF DUPLEX LC PORTS	
MPO 3	LC
1	1B
2	2B
3	3B
4	4B
9	4A
10	3A
11	2A
12	1A

COMMSCOPE, INC.			
MODULE, SYSTEMAX G2 ULL, INT SHUTTER			
SIZE	SCALE	DOCUMENT NO.	
A2	1.000	660000704	
DRAWING			SHEET
VERSION STATUS REVISION			2 OF 2
01 RE B			

© 2017 CommScope, Inc. Confidential
 NOTICE: These drawings and specifications are the proprietary property of COMMSCOPE, INC. and may be used only for the specific purpose authorized in writing by COMMSCOPE, INC.

