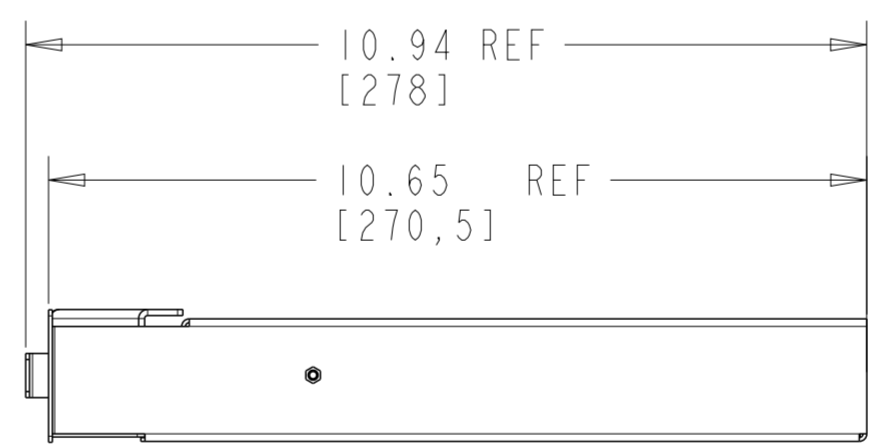
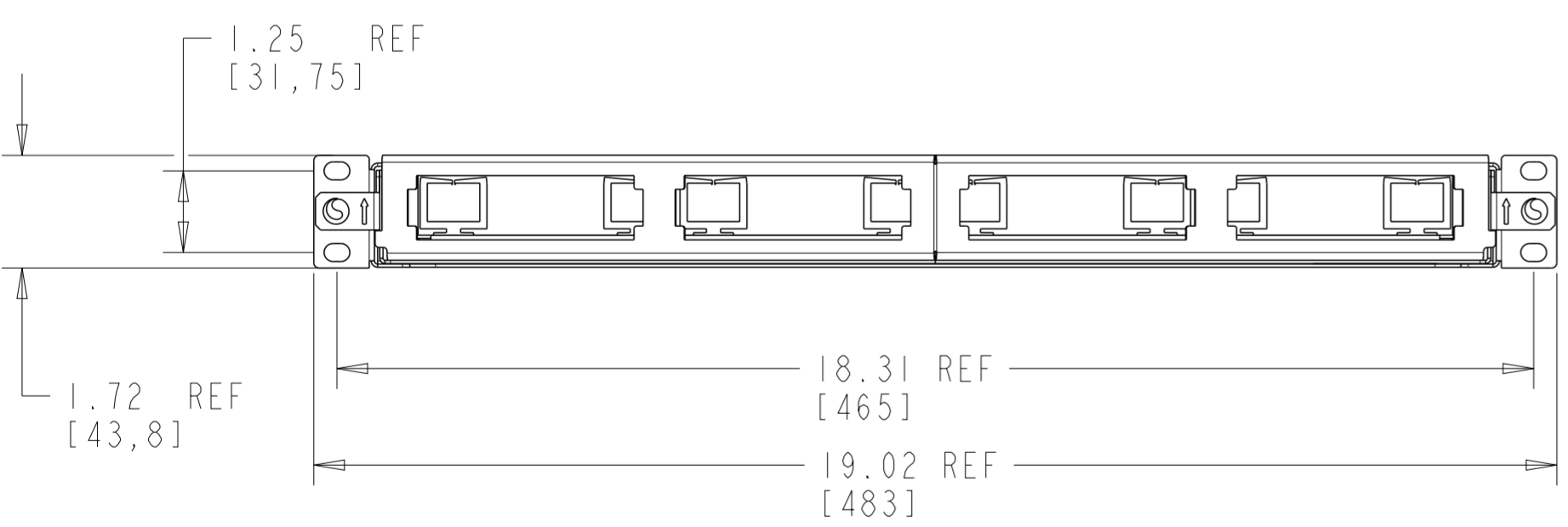
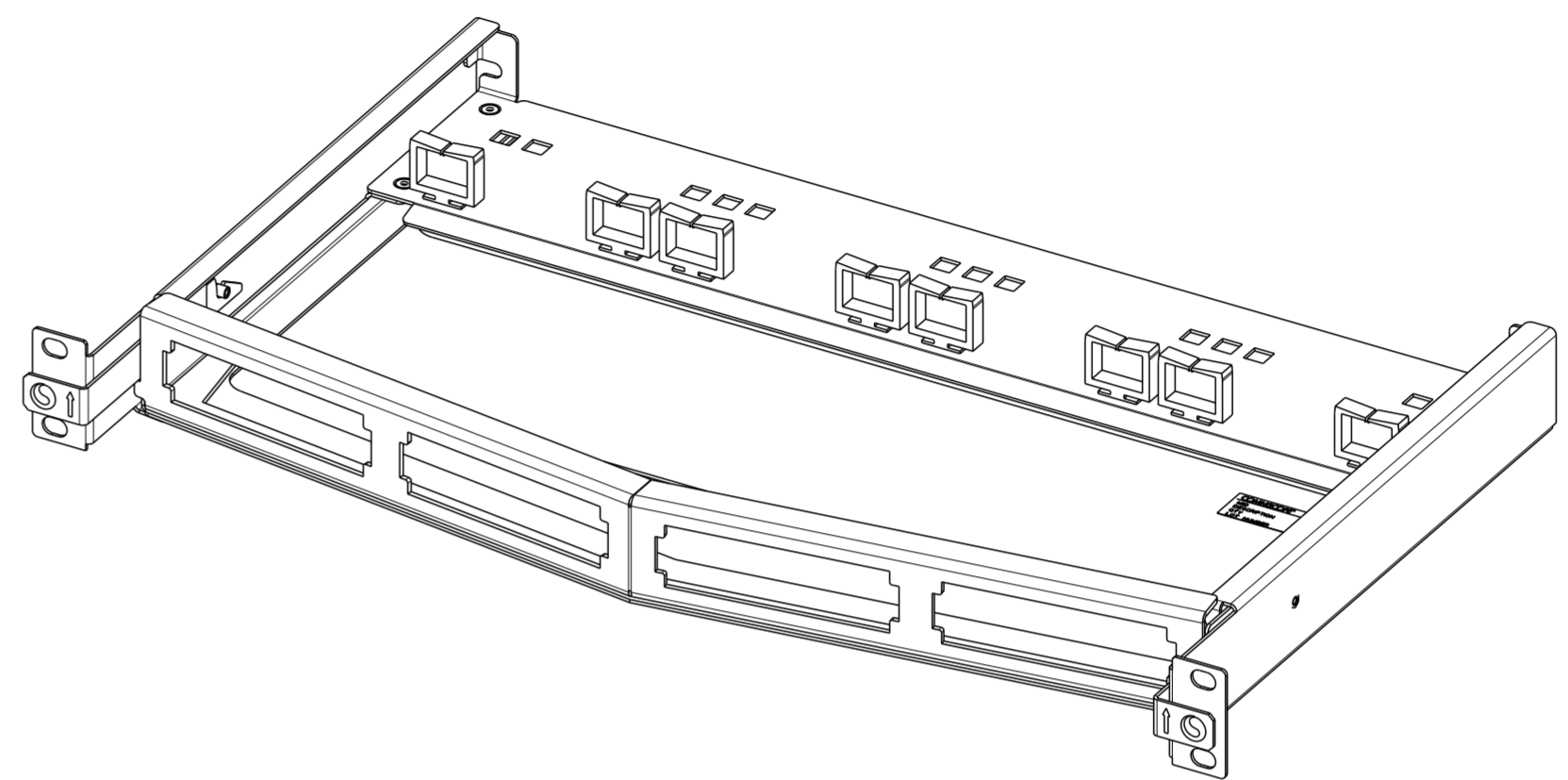
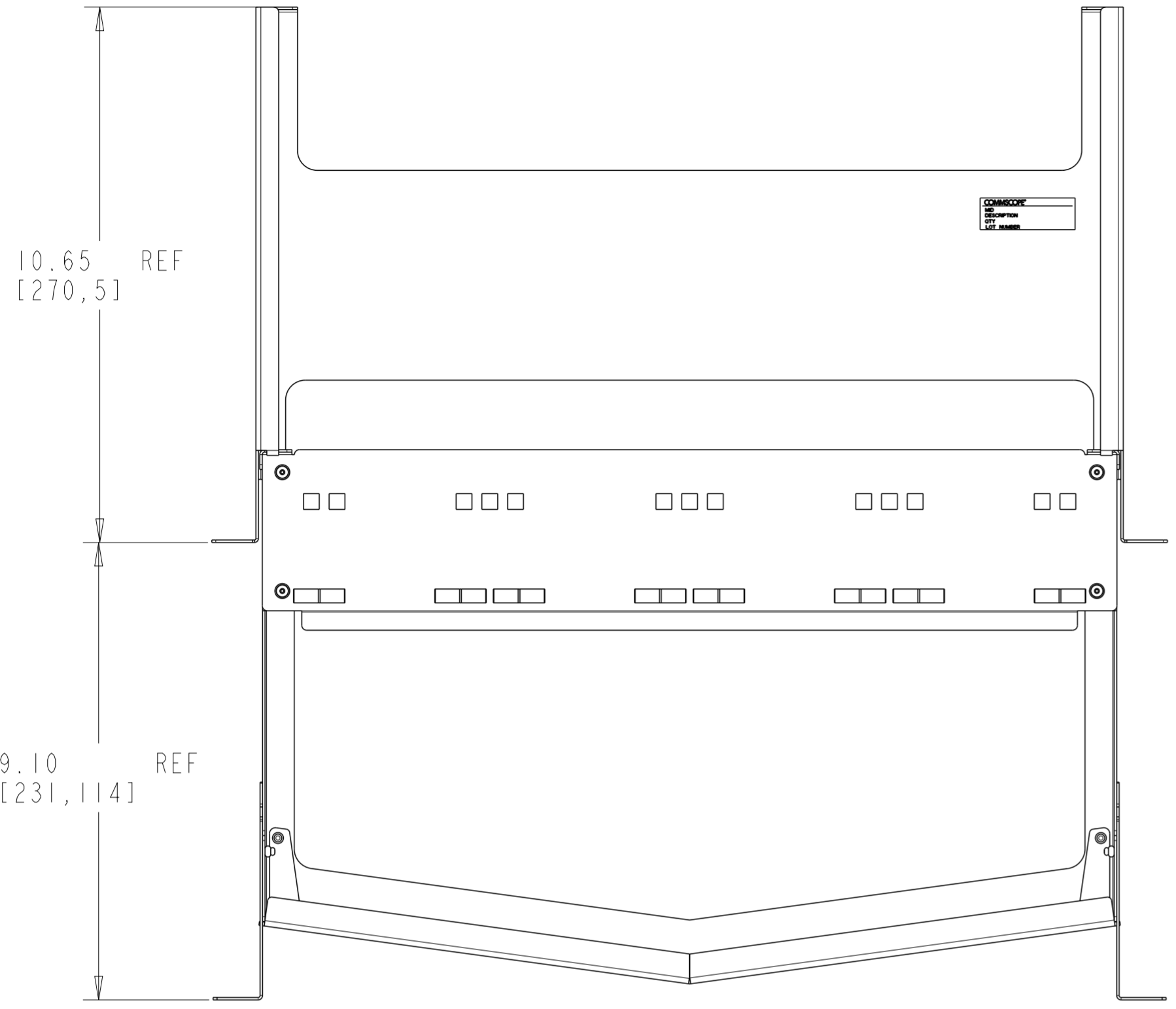


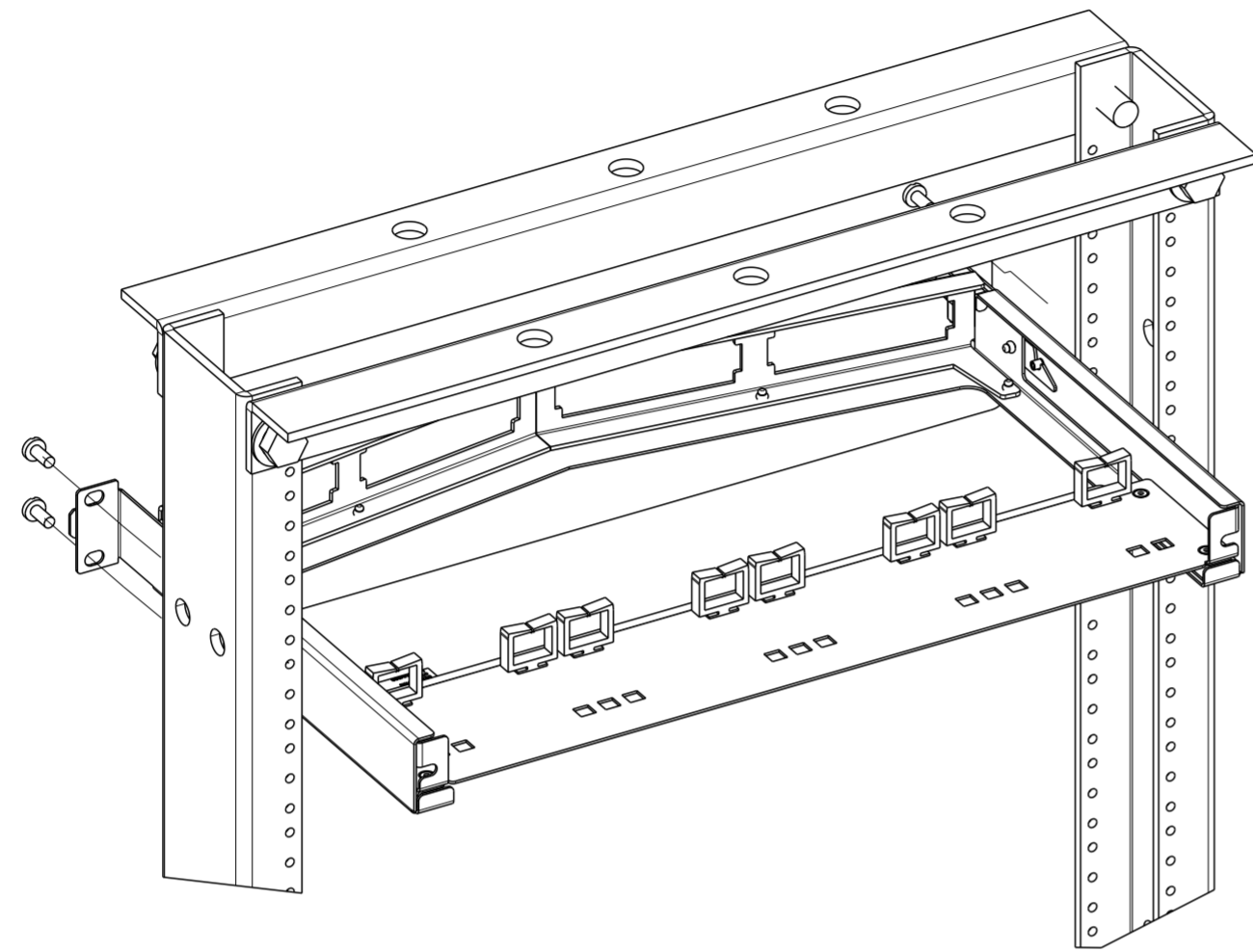
REVISIONS			
REV	DESCRIPTION	DATE	APPROVED
A	NA	22-FEB-2019	AL



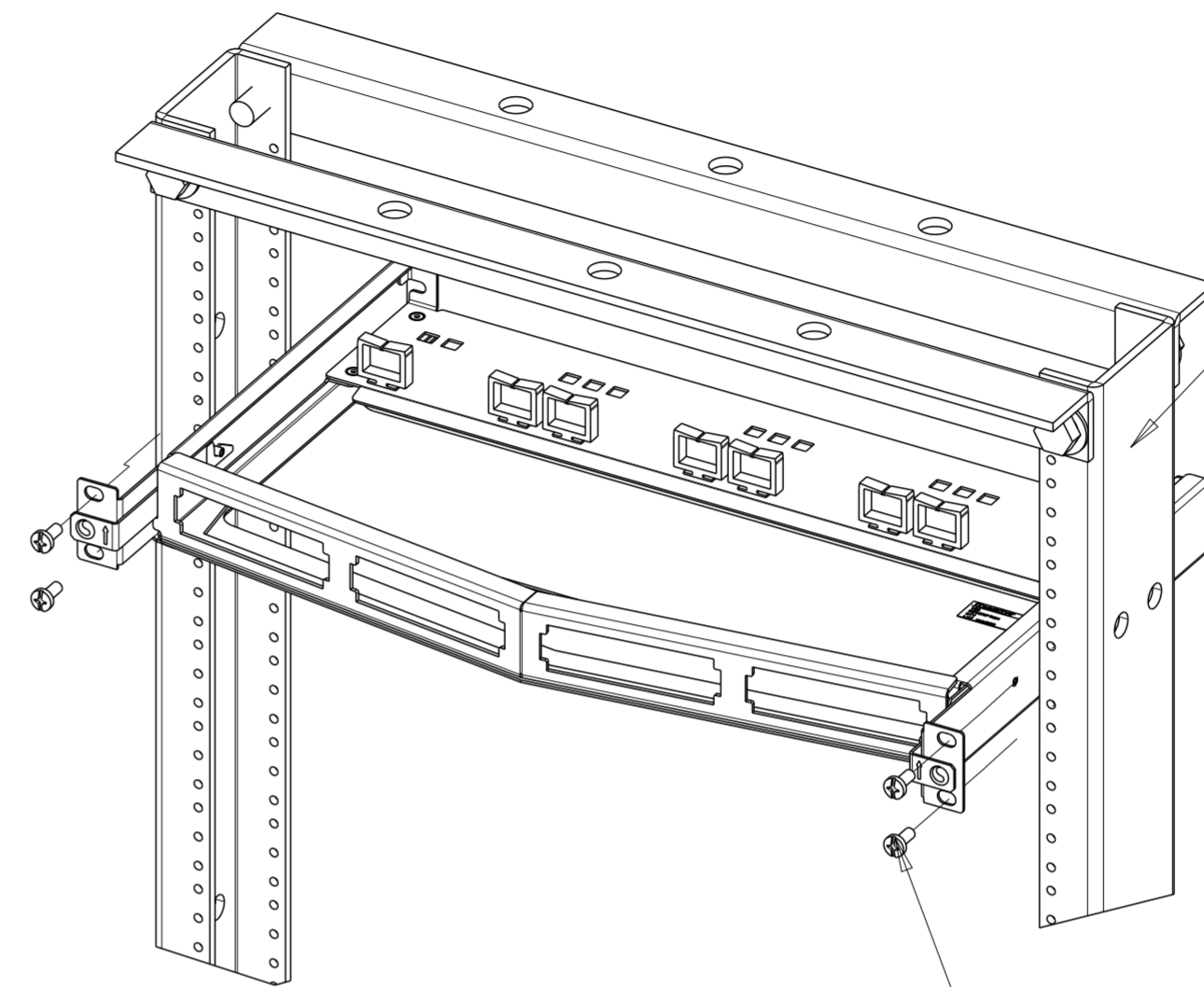
NOTES:  
1. ALL DIMENSIONS IN INCHES (mm) UNLESS NOTED.

COMMSCOPE, INC.													
TOLERANCES					SAP MATERIAL MASTER								
N/A													
FINISH					MATERIAL								
N/A					N/A								
UNLESS OTHERWISE SPECIFIED DIMENSIONS ARE IN MILLIMETERS	DRAFTER		TITLE		AGL-IU-ANG-SL INSTALLATION DRAWING								
	A.L.I												
	CHECKER												
	M.DONG												
ENGINEER		SIZE	SCALE	DOCUMENT NO.									
A.L.I		A2	0.400	660003121									
CMO				ALL SURFACES		WORK AREA: 52		MODEL		DRAWING		SHEET	
				✓		01		01		A		1 OF 2	

© 2019 CommScope, Inc. Confidential  
 NOTICE: These drawings and specifications are the proprietary property of COMMSCOPE, INC. and may be used only for the specific purpose authorized in writing by COMMSCOPE, INC.



REAR VIEW  
RACK FOR REFERENCE



RACK

INSTALL THE PANEL TO FRAME USING  
SCREWS (4) PROVIDED WITH UNIT

FRONT VIEW  
RACK FOR REFERENCE

**COMMSCOPE, INC.**

TITLE  
AGL-IU-ANG-SL  
INSTALLATION DRAWING

SIZE	SCALE	DOCUMENT NO.
A2	0.300	660003121

DRAWING			SHEET 2 OF 2
VERSION	STATUS	REVISION	
		A	

© 2019 CommScope, Inc. Confidential

NOTICE: These drawings and specifications are the proprietary property of COMMSCOPE, INC. and may be used only for the specific purpose authorized in writing by COMMSCOPE, INC.

