

VHLPX6-10W/B

Base Product



1.8 m | 6 ft ValuLine® High Performance Low Profile Antenna, dual-polarized, 10.000–10.700 GHz

OBSOLETE

This product was discontinued on: February 1, 2019

Replaced By:

VHLPX6-11W/A

1.8 m | 6 ft ValuLine® High Performance Low Profile Antenna, dual-polarized, 10.000–11.700 GHz

Product Classification

Product Type Microwave antenna

General Specifications

Antenna Type VHLPX - ValuLine® High Performance Low Profile Antenna, dual-polarized

Polarization Dual

Side Struts, Included 1 inboard

Side Struts, Optional 1 inboard

Dimensions

Diameter, nominal 1.8 m | 6 ft

Electrical Specifications

Operating Frequency Band 10.000 – 10.700 GHz

Gain, Low Band 43 dBi

Gain, Mid Band 43.1 dBi

Gain, Top Band 43.3 dBi

Boresite Cross Polarization Discrimination (XPD) 30 dB

Front-to-Back Ratio 69 dB

Beamwidth, Horizontal 1.2 °

Beamwidth, Vertical 1.2 °

VHLPX6-10W/B

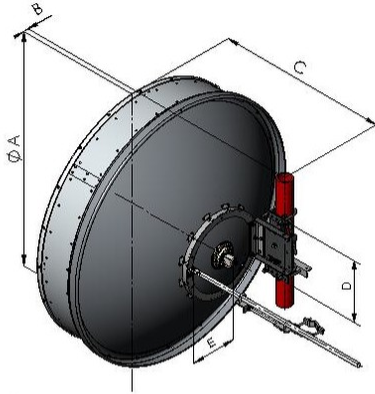
Return Loss	17.7 dB
VSWR	1.3
Radiation Pattern Envelope Reference (RPE)	7098B
Electrical Compliance	Brazil Anatel Class 2 Canada SRSP 310.5 ETSI 302 217 Class 3 US FCC Part 101A

Mechanical Specifications

Compatible Mounting Pipe Diameter	115 mm 4.5 in
Fine Azimuth Adjustment Range	±20°
Fine Elevation Adjustment Range	±15°
Wind Speed, operational	180 km/h 111.847 mph
Wind Speed, survival	200 km/h 124.274 mph

VHLPX6-10W/B

Antenna Dimensions and Mounting Information



Dimensions in Inches (mm)					
Antenna Size, ft (m)	A	B	C	D	E
6	73.6 (1871)	16.3 (415)	36.5 (927)	19.3 (490)	11.6 (295)

Wind Forces at Wind Velocity Survival Rating

Axial Force (FA)	7128 N 1,602.439 lbf
Side Force (FS)	3531 N 793.801 lbf
Twisting Moment (MT)	3197 N-m 28,295.834 in lb
Zcg without Ice	425 mm 16.732 in
Zcg with 1/2 in (12 mm) Radial Ice	450 mm 17.717 in
Weight with 1/2 in (12 mm) Radial Ice	205 kg 451.947 lb

VHLPX6-10W/B

Wind Forces at Wind Velocity Survival Rating Image



Packaging and Weights

Weight, net

95 kg | 209.439 lb

Regulatory Compliance/Certifications

Agency

Classification

ISO 9001:2015

Designed, manufactured and/or distributed under this quality management system

* Footnotes

Operating Frequency Band

Bands correspond with CCIR recommendations or common allocations used throughout the world. Other ranges can be accommodated on special order.

VHLPX6-10W/B

Gain, Mid Band	For a given frequency band, gain is primarily a function of antenna size. The gain of Andrew antennas is determined by either gain by comparison or by computer integration of the measured antenna patterns.
Boresite Cross Polarization Discrimination (XPD)	The difference between the peak of the co-polarized main beam and the maximum cross-polarized signal over an angle twice the 3 dB beamwidth of the co-polarized main beam.
Front-to-Back Ratio	Denotes highest radiation relative to the main beam, at $180^\circ \pm 40^\circ$, across the band. Production antennas do not exceed rated values by more than 2 dB unless stated otherwise.
Return Loss	The figure that indicates the proportion of radio waves incident upon the antenna that are rejected as a ratio of those that are accepted.
VSWR	Maximum; is the guaranteed Peak Voltage-Standing-Wave-Ratio within the operating band.
Radiation Pattern Envelope Reference (RPE)	Radiation patterns define an antenna's ability to discriminate against unwanted signals. Under still dry conditions, production antennas will not have any peak exceeding the current RPE by more than 3dB, maintaining an angular accuracy of $\pm 1^\circ$ throughout
Wind Speed, operational	For VHLP(X), SHP(X), HX and USX antennas, the wind speed where the maximum antenna deflection is 0.3 x the 3 dB beam width of the antenna. For other antennas, it is defined as a deflection is equal to or less than 0.1 degrees.
Wind Speed, survival	The maximum wind speed the antenna, including mounts and radomes, where applicable, will withstand without permanent deformation. Realignment may be required. This wind speed is applicable to antenna with the specified amount of radial ice.
Axial Force (FA)	Maximum forces exerted on a supporting structure as a result of wind from the most critical direction for this parameter. The individual maximums specified may not occur simultaneously. All forces are referenced to the mounting pipe.
Side Force (FS)	Maximum side force exerted on the mounting pipe as a result of wind from the most critical direction for this parameter. The individual maximums specified may not occur simultaneously. All forces are referenced to the mounting pipe.
Twisting Moment (MT)	Maximum forces exerted on a supporting structure as a result of wind from the most critical direction for this parameter. The individual maximums specified may not occur simultaneously. All forces are referenced to the mounting pipe.