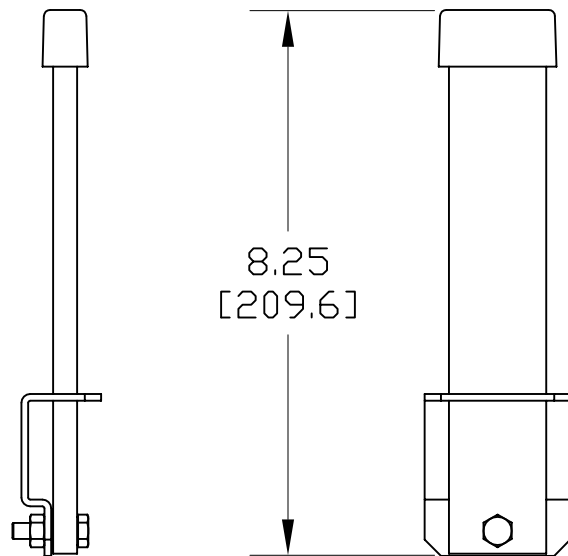


MATERIAL ID	DESCRIPTION	WEIGHT (lbs.)
760083972	CABLE RETAINING POST, 6" HIGH	3.0

NOTES:

- SEE COMMSCOPE CATALOG FOR PART NUMBER SUFFIXES TO INDICATE COLOR/PKG.
- SEE COMMSCOPE CATALOG FOR COMPLETE LIST OF PARTS RELATED TO THE USE OF THIS PRODUCT.
- DIMENSIONS IN PARENTHESES ARE IN METRIC.
- PART INCLUDES:  
 (1) RAIL: 3/8" X 1-1/2" X 16GA.  
 (1) BRACKET: 12 GA.  
 (1) CAP  
 (1) BOLT AND NUT



CRRP-6H	
COMMSCOPE, INC HICKORY, NORTH CAROLINA	
DRAWN BY SEW	DWG NO. 760083972
DATE 1/31/08	

REV	DATE	ECR	DESCRIPTION	BY
1	1/31/08		INITIAL ISSUE	TWL