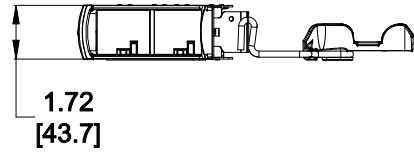
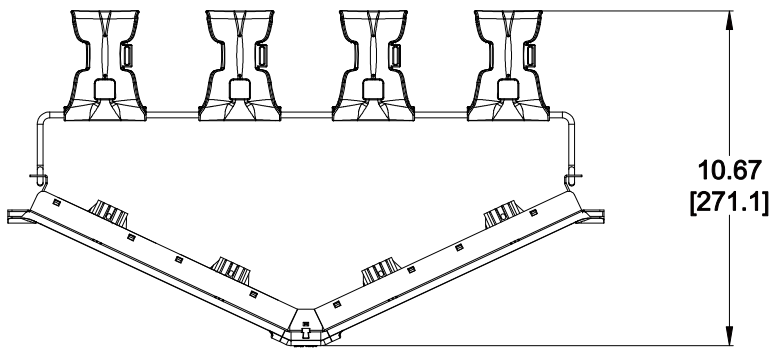


MATERIAL ID	DESCRIPTION
760152785	SYSTIMAX 360° GigaSPEED X10D® AND GigaSPEED XL® EVOLVE ANGLED 1U U/UTP PANEL KIT

NOTES:

- SEE SYSTIMAX CATALOG FOR PART NUMBER SUFFIXES TO INDICATE COLOR/PKG.
- SEE SYSTIMAX CATALOG FOR COMPLETE LIST OF PARTS RELATED TO THE USE OF THIS PRODUCT.
- DIMENSIONS ARE IN INCHES[MM].
- PART INCLUDES:
 - PANEL FRAME, 360 ANGLED EVOLVE PANEL
 - END FACE, 360 ANGLED EVOLVE PANEL
 - CENTRAL CAP, 360 ANGLED EVOLVE PANEL
 - RETAINER B, 360 CABLE MANAGEMENT
 - TROUGH, 360 CABLE MANAGEMENT
 - STRAP, REAR CABLE MANAGEMENT (BAG OF 4)
 - SCREW
 - HOUSING, imVision CONTROLLER 1U BRACKET BLANK BEZEL



360-A-E-KIT-1U	
COMMScope, INC OF NORTH CAROLINA	
SYSTIMAX® SOLUTIONS	
DRAWN BY DJ	
DATE 7/29/2014	DWG NO 760152785

REV	DATE	ECR	DESCRIPTION	APPROVED BY
1	7/29/14		INITIAL ISSUE	PL