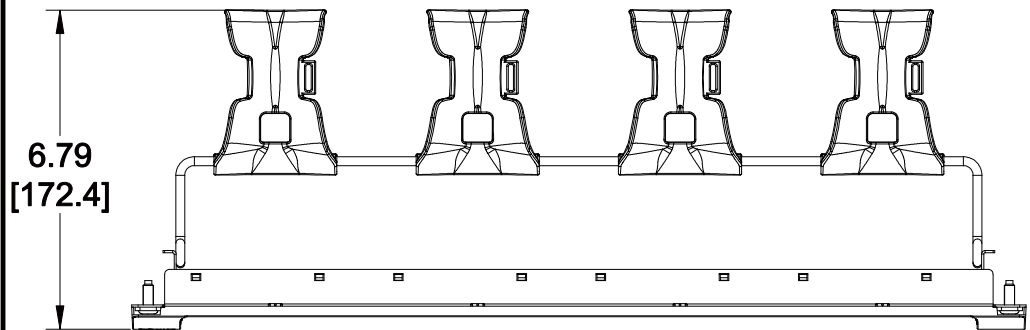
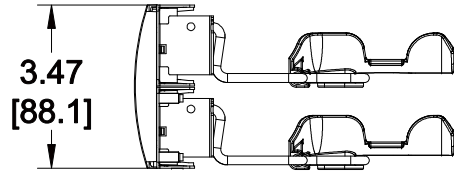
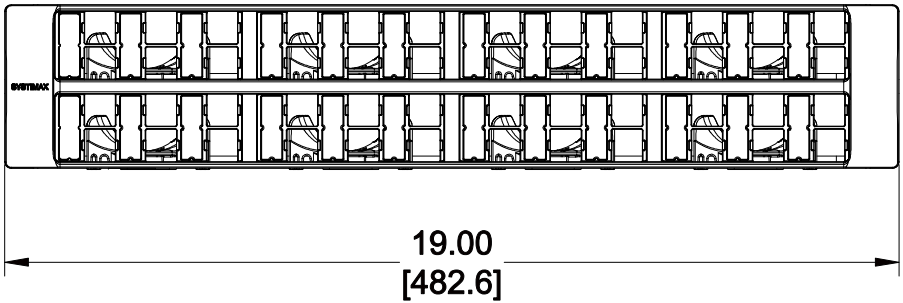


MATERIAL ID	DESCRIPTION
760187195	360 EVOLVE 2U 48 PORT MODULAR PANEL



**NOTES:**

- SEE SYSTIMAX CATALOG FOR PART NUMBER SUFFIXES TO INDICATE COLOR/PKG.
- SEE SYSTIMAX CATALOG FOR COMPLETE LIST OF PARTS RELATED TO THE USE OF THIS PRODUCT.
- DIMENSIONS ARE IN INCHES[MM].
- PART INCLUDES:
  - (1) FRAME, 360 EVOLVE 2U
  - (1) 360 FACE, EVOLVE 2U
  - (8) 6-PORT BEZEL, 360 EVOLVE M\_SERIES
  - (8) TROUGH, 360 CABLE MANAGEMENT
  - (8) STRAP, REAR CABLE MANAGEMENT (BAG OF 4)
  - (2) BAR, 360 REAR CABLE MGMT - B
  - (4) SCREW, PAN COMBO HD. 12-24 X 1/2, BLACK ZINKLAD
  - (2) STRIP, 360 EVOLVE M\_SERIES LABEL
  - (2) STRIP, 360 EVOLVE M\_SERIES LABEL RETAINER



360-E-MOD-2U-48	
<b>COMMSCOPE, INC</b> OF NORTH CAROLINA	
<b>SYSTIMAX® SOLUTIONS</b>	
DRAWN BY TZ	DWG NO 760187195
APPROVED BY CZ	DATE 9/10/2013

REV	DATE	ECR	DESCRIPTION	APPROVED BY
1	9/10/13		INITIAL ISSUE	CZ