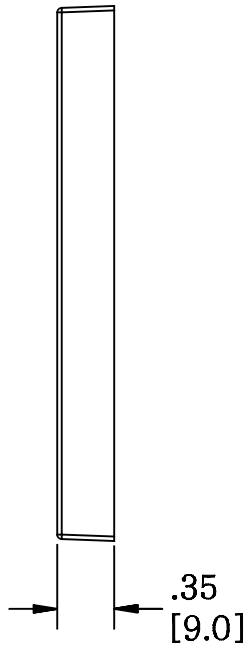
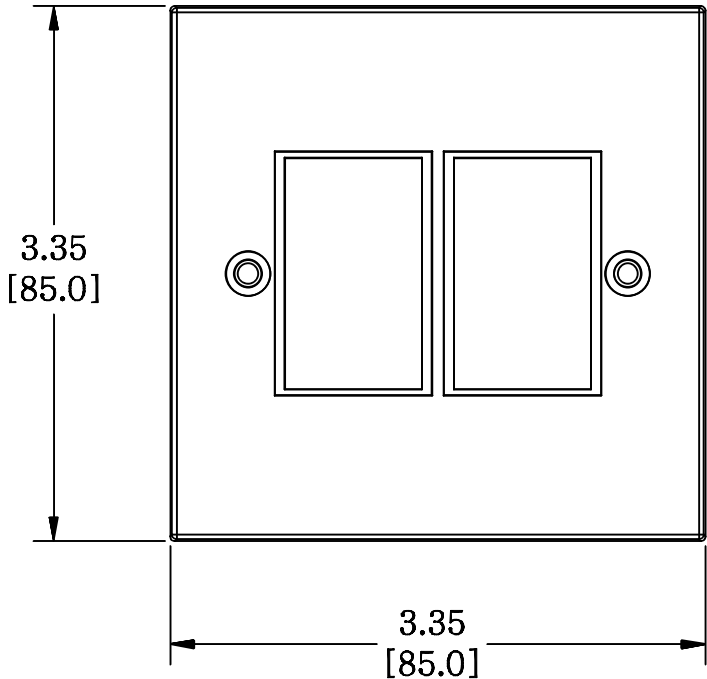


MATERIAL ID	DESCRIPTION
760187872	M12D-F-262 FACEPLATE, 2-PORT, WHITE

NOTES:

- SEE COMMSCOPE CATALOG FOR PART NUMBER SUFFIXES TO INDICATE COLOR/PKG.
- SEE COMMSCOPE CATALOG FOR COMPLETE LIST OF PARTS RELATED TO THE USE OF THIS PRODUCT.
- DIMENSIONS ARE IN INCHES[MM].
- PART INCLUDES:
 (1) FACEPLATE
 (2) SCREW



M12D-F-262	
COMMSCOPE, INC OF NORTH CAROLINA	
DRAWN BY DJ	
APPROVED BY 	DATE 01/08/2016
	DWG NO 760187872

1	01/08/16		INITIAL ISSUE	PL
REV	DATE	ECR	DESCRIPTION	APPROVED BY