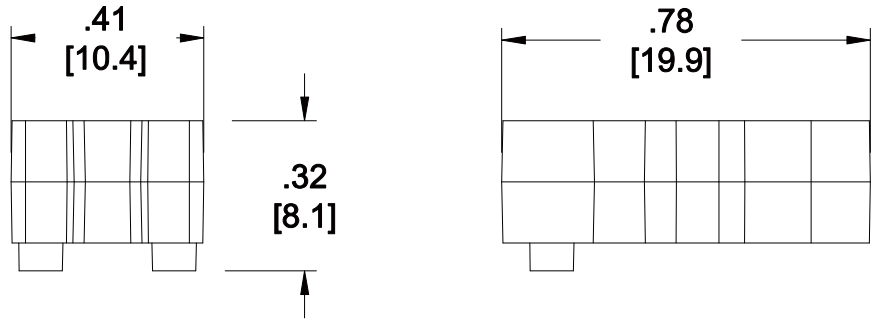


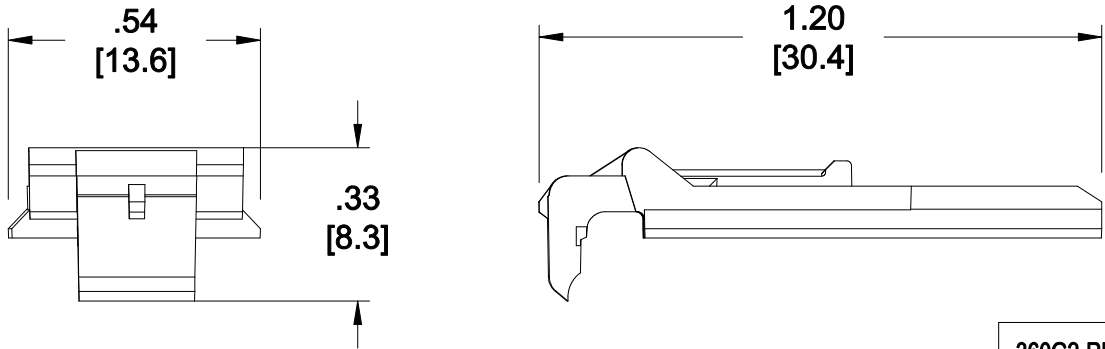
MATERIAL ID	DESCRIPTION
760193532	360G2 RETROFIT KIT



LATCH, UPPER CLAMP

NOTES:

1. SEE SYSTIMAX CATALOG FOR PART NUMBER SUFFIXES TO INDICATE COLOR/PKG.
2. SEE SYSTIMAX CATALOG FOR COMPLETE LIST OF PARTS RELATED TO THE USE OF THIS PRODUCT.
3. DIMENSIONS ARE IN INCHES[MM].
4. PART INCLUDES:  
 (20) LATCH, UPPER CLAMP  
 (20) LATCH, LOWER CLAMP



LATCH, LOWER CLAMP

360G2-RETROFIT-KIT	
<b>COMMScope, INC</b> OF NORTH CAROLINA	
SYSTIMAX® SOLUTIONS	
DRAWN BY DJ	
DATE 4/03/2014	DWG NO 760193532

REV	DATE	ECR	DESCRIPTION	APPROVED BY
1	4/03/14		INITIAL ISSUE	GR