

Installation Instructions

Sentinel™ Class 4 Antenna mount assembly, installation & adjustment.

Bulletin 7652781 page 1 of 9

Version 03 Status RE Rev D

Model Version 08 Status RE Rev J

Description.

This antenna consists of a 0.6m (2ft) reflector, shields, radome, attachment rims, feed and offset tower mount.

The mount is designed to attach the antenna to a vertical pipe of diameter 50mm to 115mm (1.9" to 1.5"). The mount provides adjustment ranges of ± 15° fine elevation and ± 180° (± 10° fine) azimuth.

Notice.

The installation, maintenance or removal of antenna systems requires qualified, experienced personnel. Andrew installation instructions have been written for such personnel. Antenna systems should be inspected once a year by qualified personnel to verify proper installation, maintenance, and condition of equipment.

Andrew disclaims any liability or responsibility for the results of improper or unsafe installation practices.

Table 1. Parts List

Item	Description	Qty
1	Antenna Assembly	1
2	Mount bracket	1
3	Screw, M10 x 35lg Cs'k Hd, sst, pass	7
4	Saddle Washer	4
5	Gloves	2
6	Mount Pivot bracket Assembly	1
7	Conductive Grease	1
8	Screw, M10 x 40lg Hex Hd, sst, pass	4
9	Lock Washer, M10, sst, pass	10
10	Washer, M10, sst, pass	10
11	Pipe Attachment Bracket	1
12	Screw, M10 x 150lg Hex Hd, sst, pass	2
13	Nut, M10, sst, pass	10
14	Clamp Bracket	1
15	M10x140lg Eye Bolt, sst, pass	2



Description

Main Hazards - Health Effects

Eyes: May cause irritation.

Inhalation: Viscous nature may block breathing passages if inhaled.

Ingestion: May cause diarrhoea.

Skin: For hypersensitive persons, may irritate the skin after long periods of contact.

Respiratory Protection: None needed.

Hand Protection: Protective gloves for hypersensitive persons.

Eye Protection: Glasses, if applied to parts in motion.

Body Protection: Overalls.

Tools Required

Bolt Diameter in MM

M10

Ring and Open spanner (A/F) 17mm

Torque Wrench

Sockets (A/F) 17mm

Allen Key (A/F) 5mm

Allen Key (A/F) 6mm

Cutting Pliers

Compass

General Toolbox

Andrew Solutions

Customer Service 24 hours

U.S.A., Canada, Mexico: 1-800-255-1479

or 1-888-235-5732

U.K.: 0800 250055

Other Europe: +44 592 782 612

www.commscope.com/andrew

Visit our Web site at www.commscope.com/andrew or contact your local Andrew Solutions representative for more information. © 2008 CommScope, Inc. All rights reserved.

Andrew Solutions is a trademark of CommScope. All trademarks identified by ® or ™ are registered trademarks or trademarks, respectively, of CommScope. This document is for planning purposes only and is not intended to modify or supplement any specifications or warranties relating to Andrew Solutions products or services.

Notice: Andrew disclaims any liability or responsibility for the results of improper or unsafe installation, inspection, maintenance, or removal practices.

Aviso: Andrews no acepta ninguna obligación ni responsabilidad como resultado de practicas incorrectas o peligrosas de instalacion, inspección, mantenimiento o retire.

Avis : Andrew decline toute responsabilite pour les consequences de procedures d'installation, d'inspection, d'entretien ou de retrait incorrectes ou dangereuses.

Hinweis: Andrew lehnt jede Haftung Oder Verantwortung fur Schaden ab, die aufgrund unsachgemaBer Installation, Uberprufung, Wartung Oder Demontage auftreten.

Atencao: A Andrew abdica do direito de toda responsabilidade pelos resultados de praticas inadequadas e sem seguranca de instalacao, inspecao, manutengao ou remocao.

Awertenza: Andrew declina eventual! responsabilita denvanti dell'esecuzione di procedure di installazione, ispezione, manutenzione e smontaggio improprie o poco sicure.

注意：Andrew 公司申明對於不恰當或不安全的安裝、檢驗、維修或拆卸操作所導致的後果不負任何義務和責任



Installation Instructions

Sentinel™ Class 4 Antenna mount assembly, installation & adjustment.

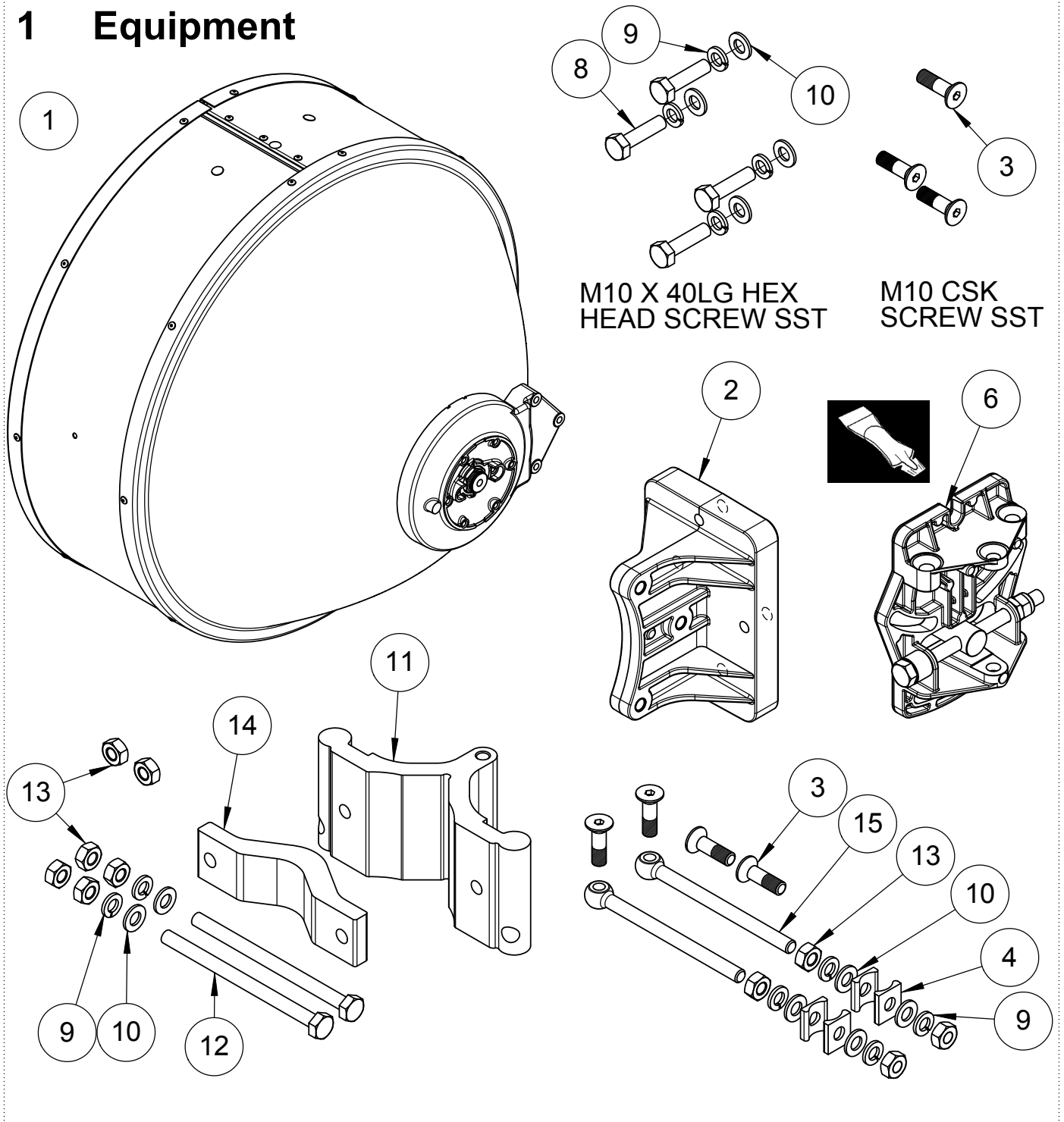


Bulletin 7652781 page 2 of 9

Version 03 Status RE Rev D

Model Version 08 Status RE Rev J

1 Equipment



Andrew Solutions

Customer Service 24 hours
 U.S.A., Canada, Mexico: 1-800-255-1479
 or 1-888-235-5732
 U.K.: 0800 250055
 Other Europe: +44 592 782 612

www.commscope.com/andrew

Visit our Web site at www.commscope.com/andrew or contact your local Andrew Solutions representative for more information.
 © 2008 CommScope, Inc. All rights reserved.
 Andrew Solutions is a trademark of CommScope. All trademarks identified by ® or ™ are registered trademarks or trademarks, respectively, of CommScope. This document is for planning purposes only and is not intended to modify or supplement any specifications or warranties relating to Andrew Solutions products or services.

Notice: Andrew disclaims any liability or responsibility for the results of improper or unsafe installation, inspection, maintenance, or removal practices.
 Aviso: Andrews no acepta ninguna obligación ni responsabilidad como resultado de practicas incorrectas o peligrosas de instalacion, inspección, mantenimiento o retire.
 Avis : Andrew decline toute responsabilite pour les consequences de procedures d'installation, d'inspection, d'entretien ou de retrait incorrectes ou dangereuses.
 Hinweis: Andrew lehnt jede Haftung Oder Verantwortung fur Schaden ab, die aufgrund unsachgeMaBer Installation, Uberprufung, Wartung Oder Demontage auftreten.
 Atencao: A Andrew abdica do direito de toda responsabilidade pelos resultados de praticas inadequadas e sem seguranga de instalacao, inspecao, manutengao ou remocao.
 Awertenza: Andrew declina eventual! responsabilita denvanti dell'esecuzione di procedure di installazione, ispezione, manutenzione e smontaggio improprie o poco sicure.

注意：Andrew 公司申明對於不恰當或不安全的安裝、檢驗、維修或拆卸操作所導致的後果不負任何義務和責任



Installation Instructions

Sentinel™ Class 4 Antenna mount assembly, installation & adjustment.



Bulletin 7652781 page 3 of 9

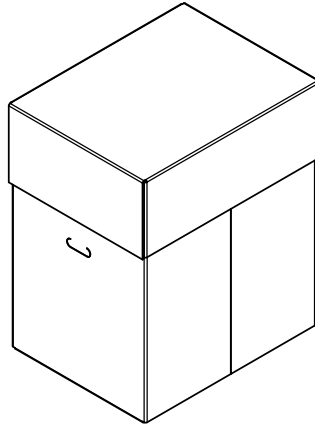
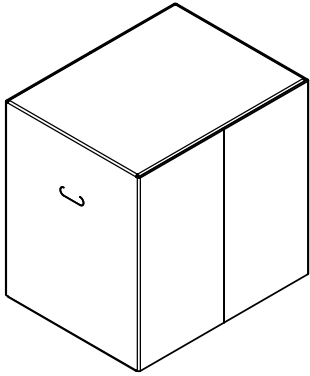
Version 03 Status RE Rev D

Model Version 08 Status RE Rev J

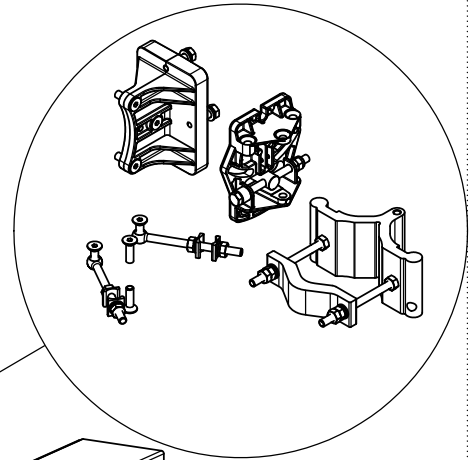
2 Unpacking

1a Single Pole Box

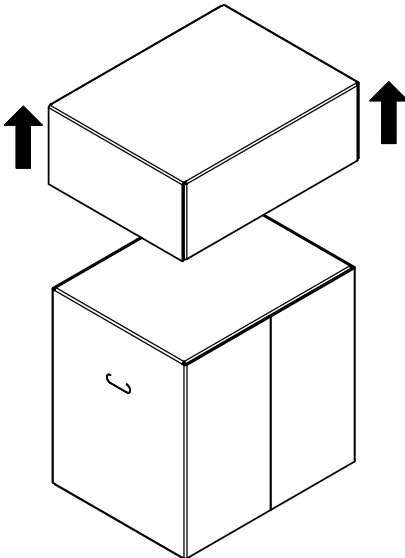
1b Dual Pole Box



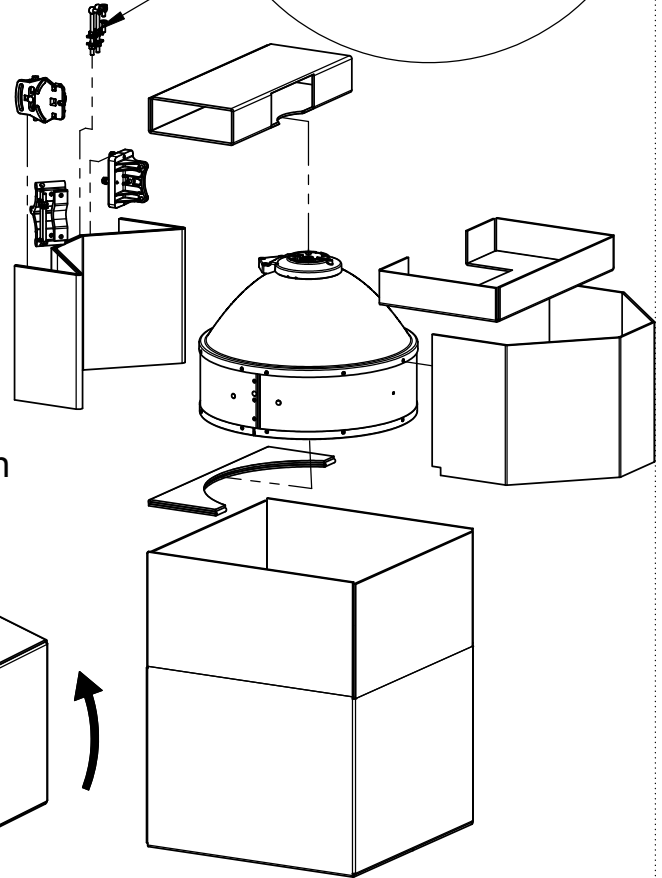
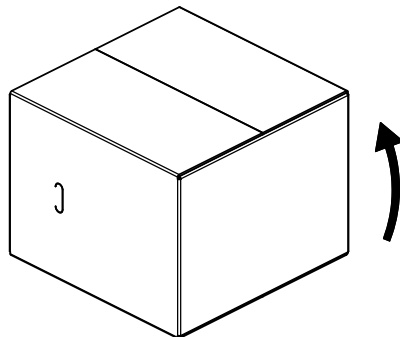
4 Antenna Main Box Contents



2 Remove top lid (dual pole only)



3 Lay box with flaps at top



Andrew Solutions

Customer Service 24 hours
 U.S.A., Canada, Mexico: 1-800-255-1479
 or 1-888-235-5732
 U.K.: 0800 250055
 Other Europe: +44 592 782 612

www.commscope.com/andrew

Visit our Web site at www.commscope.com/andrew or contact your local Andrew Solutions representative for more information.
 © 2008 CommScope, Inc. All rights reserved.
 Andrew Solutions is a trademark of CommScope. All trademarks identified by ® or ™ are registered trademarks or trademarks, respectively, of CommScope. This document is for planning purposes only and is not intended to modify or supplement any specifications or warranties relating to Andrew Solutions products or services.

Notice: Andrew disclaims any liability or responsibility for the results of improper or unsafe installation, inspection, maintenance, or removal practices.
 Aviso: Andrews no acepta ninguna obligación ni responsabilidad como resultado de practicas incorrectas o peligrosas de instalacion, inspección, mantenimiento o retiro.
 Avis: Andrew decline toute responsabilite pour les consequences de procedures d'installation, d'inspection, d'entretien ou de retrait incorrectes ou dangereuses.
 Hinweis: Andrew lehnt jede Haftung Oder Verantwortung fur Schaden ab, die aufgrund unsachgeMaBer Installation, Uberprufung, Wartung Oder Demontage auftreten.
 Atencao: A Andrew abdica do direito de toda responsabilidade pelos resultados de praticas inadequadas e sem seguranca de instalacao, inspecao, manutengao ou remocao.
 Awertenza: Andrew declina eventual! responsabilita denvanti dell'esecuzione di procedure di installazione, ispezione, manutenzione e smontaggio improprie o poco sicure.

注意：Andrew 公司申明對於不恰當或不安全的安裝、檢驗、維修或拆卸操作所導致的後果不負任何義務和責任



Installation Instructions

Sentinel™ Class 4 Antenna mount assembly, installation & adjustment.



Bulletin 7652781 page 4 of 9

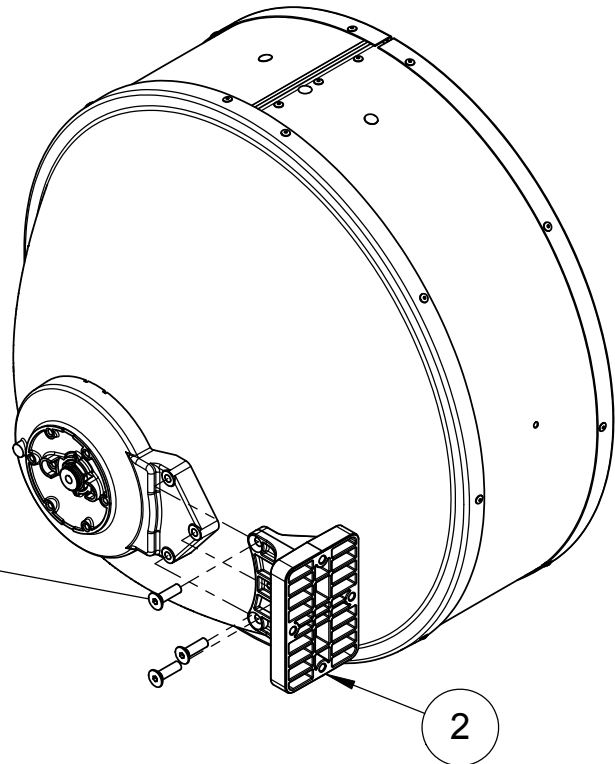
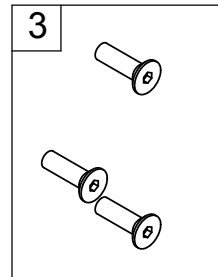
Version 03 Status RE Rev D

Model Version 08 Status RE Rev J

3 Mount Attachment and Alignment

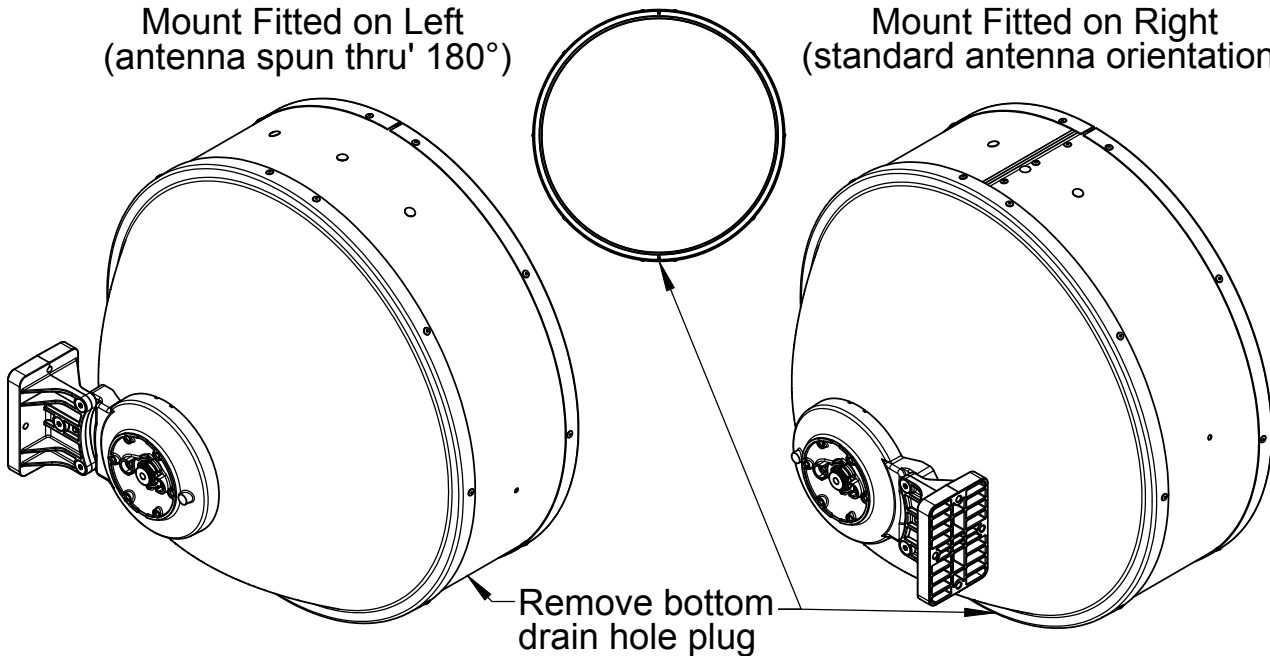
3
(3x) Screws with Patch Lock

M10 CSK SCREW
22Nm±5%



Mount Fitted on Left
(antenna spun thru' 180°)

Mount Fitted on Right
(standard antenna orientation)



Andrew Solutions

Customer Service 24 hours
U.S.A., Canada, Mexico: 1-800-255-1479
or 1-888-235-5732
U.K.: 0800 250055
Other Europe: +44 592 782 612

www.commscope.com/andrew

Visit our Web site at www.commscope.com/andrew or contact your local Andrew Solutions representative for more information.
© 2008 CommScope, Inc. All rights reserved.
Andrew Solutions is a trademark of CommScope. All trademarks identified by ® or ™ are registered trademarks or trademarks, respectively, of CommScope. This document is for planning purposes only and is not intended to modify or supplement any specifications or warranties relating to Andrew Solutions products or services.

Notice: Andrew disclaims any liability or responsibility for the results of improper or unsafe installation, inspection, maintenance, or removal practices.
Aviso: Andrews no acepta ninguna obligación ni responsabilidad como resultado de practicas incorrectas o peligrosas de instalacion, inspección, mantenimiento o retire.
Avis : Andrew decline toute responsabilite pour les consequences de procedures d'installation, d'inspection, d'entretien ou de retrait incorrectes ou dangereuses.
Hinweis: Andrew lehnt jede Haftung Oder Verantwortung fur Schaden ab, die aufgrund unsachgemaBer Installation, Uberprufung, Wartung Oder Demontage auftreten.
Atencao: A Andrew abdica do direito de toda responsabilidade pelos resultados de praticas inadequadas e sem segurancia de instalacao, inspecao, manutengao ou remocao.
Awertenza: Andrew declina eventual! responsabilita denvanti dell'esecuzione di procedure di installazione, ispezione, manutenzione e smontaggio improprie o poco sicure.

注意：Andrew 公司申明對於不恰當或不安全的安裝、檢驗、維修或拆卸操作所導致的後果不負任何義務和責任



Installation Instructions

Sentinel™ Class 4 Antenna mount assembly, installation & adjustment.

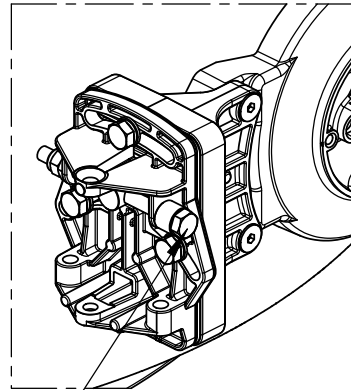
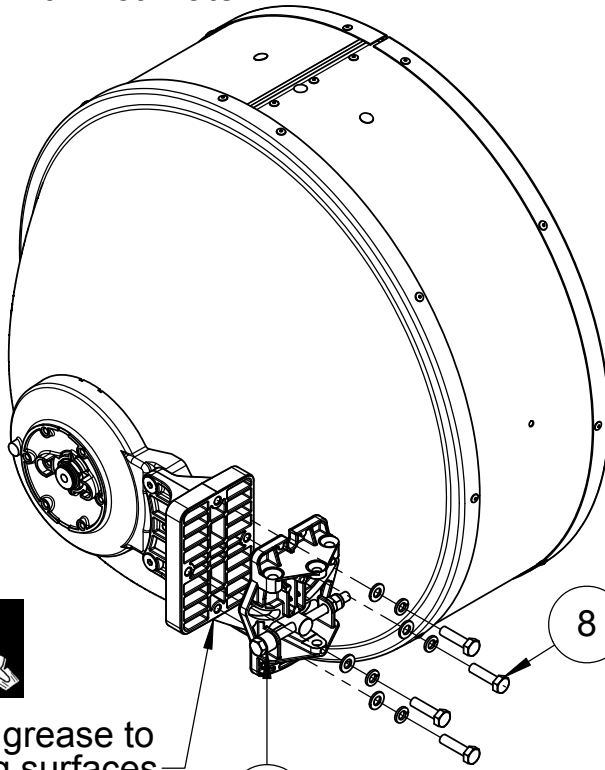


Bulletin 7652781 page 5 of 9

Version 03 Status RE Rev D

Model Version 08 Status RE Rev J

1 Fit Pivot Plate



Note Bolt head to face away from antenna, rotate pivot mount assembly thru 180° when assembling mount in Left offset configuration

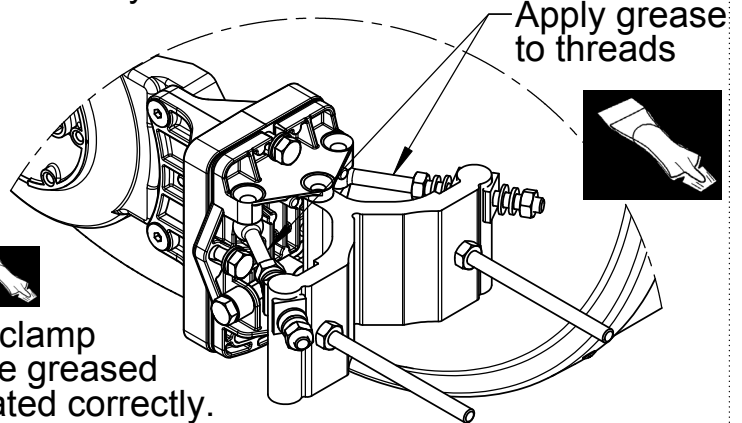
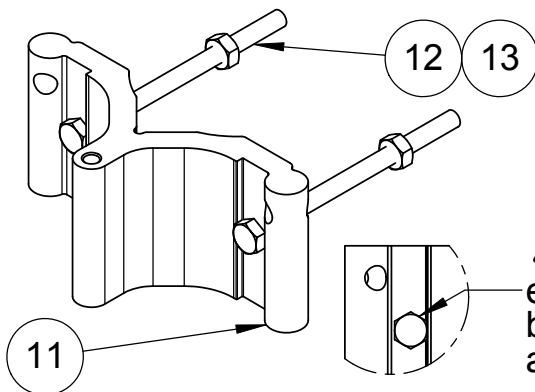


Apply grease to mating surfaces

6 Fit screws B3 finger tight

2 Insert M10x150 screws into pipe attachment bracket and secure in place with M10 nuts.

3 Fit pipe attachment bracket to pivot bracket and loosely fit 2x M10x140 eyebolts.



Apply grease to threads



ensure clamp bolts are greased and seated correctly.

Andrew Solutions

Customer Service 24 hours
 U.S.A., Canada, Mexico: 1-800-255-1479
 or 1-888-235-5732
 U.K.: 0800 250055
 Other Europe: +44 592 782 612

www.commscope.com/andrew

Visit our Web site at www.commscope.com/andrew or contact your local Andrew Solutions representative for more information.
 © 2008 CommScope, Inc. All rights reserved.
 Andrew Solutions is a trademark of CommScope. All trademarks identified by ® or ™ are registered trademarks or trademarks, respectively, of CommScope. This document is for planning purposes only and is not intended to modify or supplement any specifications or warranties relating to Andrew Solutions products or services.

Notice: Andrew disclaims any liability or responsibility for the results of improper or unsafe installation, inspection, maintenance, or removal practices.
 Aviso: Andrews no acepta ninguna obligación ni responsabilidad como resultado de practicas incorrectas o peligrosas de instalacion, inspección, mantenimiento o retiro.
 Avis : Andrew decline toute responsabilité pour les consequences de procedures d'installation, d'inspection, d'entretien ou de retrait incorrectes ou dangereuses.
 Hinweis: Andrew lehnt jede Haftung Oder Verantwortung fur Schaden ab, die aufgrund unsachgemaBer Installation, Uberprufung, Wartung Oder Demontage auftreten.
 Atencao: A Andrew abdica do direito de toda responsabilidade pelos resultados de praticas inadequadas e sem seguranca de instalacao, inspecao, manutengao ou remocao.
 Awertenza: Andrew declina eventual! responsabilita denvanti dell'esecuzione di procedure di installazione, ispezione, manutenzione e smontaggio improprie o poco sicure.

注意：Andrew 公司申明對於不恰當或不安全的安裝、檢驗、維修或拆卸操作所導致的後果不負任何義務和責任

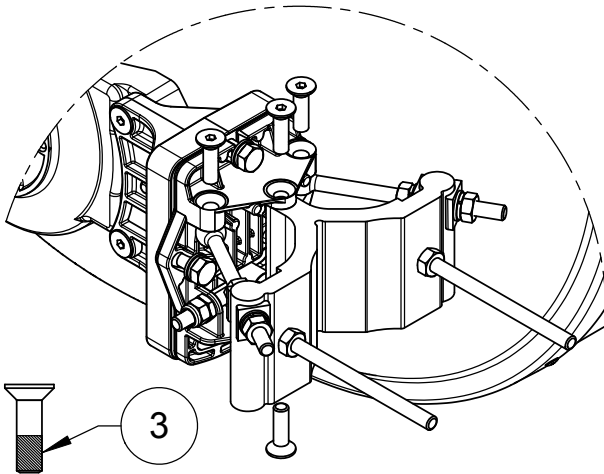


Installation Instructions

Sentinel™ Class 4 Antenna mount assembly, installation & adjustment.

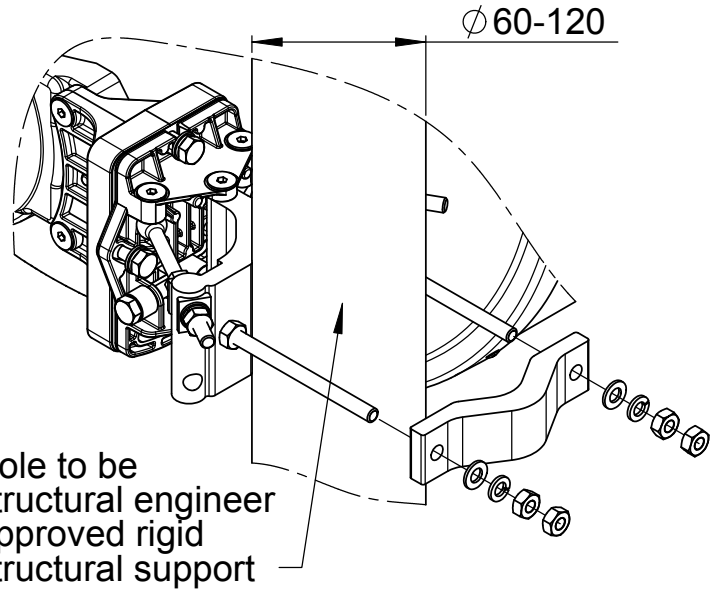


- 4** Attach 4x M10x35LG C'SK Screws.
Screws to be Patch Lock type screws



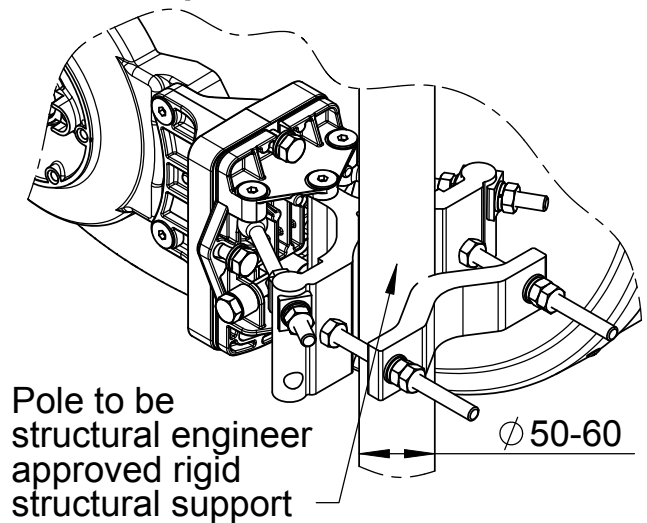
(4x) Screws with Patch Lock

- 6** >60-120 mm Pole - Secure mount assembly to pole as shown below.
Torque to 38 Nm ±5%



- 5** NOTE :-
For transition, OMT & customer interface information see separate bulletin.

- 6** 50-60 mm Pole - Secure mount assembly to pole as shown below.
Torque to 38 Nm ±5%



Andrew Solutions

Customer Service 24 hours

U.S.A., Canada, Mexico: 1-800-255-1479
or 1-888-235-5732
U.K.: 0800 250055
Other Europe: +44 592 782 612

www.commscope.com/andrew

Visit our Web site at www.commscope.com/andrew or contact your local Andrew Solutions representative for more information.
© 2008 CommScope, Inc. All rights reserved.

Andrew Solutions is a trademark of CommScope. All trademarks identified by ® or ™ are registered trademarks or trademarks, respectively, of CommScope. This document is for planning purposes only and is not intended to modify or supplement any specifications or warranties relating to Andrew Solutions products or services.

Notice: Andrew disclaims any liability or responsibility for the results of improper or unsafe installation, inspection, maintenance, or removal practices.

Aviso: Andrews no acepta ninguna obligacion ni responsabilidad como resultado de practicas incorrectas o peligrosas de instalacion, inspeccion, mantenimiento o retiro.

Avis: Andrew decline toute responsabilite pour les consequences de procedures d'installation, d'inspection, d'entretien ou de retrait incorrectes ou dangereuses.

Hinweis: Andrew lehnt jede Haftung Oder Verantwortung fur Schaden ab, die aufgrund unsachgeMaBer Installation, Uberprufung, Wartung Oder Demontage auftreten.

Atencao: A Andrew abdica do direito de toda responsabilidade pelos resultados de praticas inadequadas e sem seguranca de instalacao, inspecao, manutengao ou remocao.

Awertenza: Andrew declina eventual! responsabilita denvanti dell'esecuzione di procedure di installazione, ispezione, manutenzione e smontaggio improprie o poco sicure.

注意: Andrew 公司申明對於不恰當或不安全的安裝、檢驗、維修或拆卸操作所導致的後果不負任何義務和責任



Installation Instructions

**Sentinel™ Class 4 Antenna mount assembly,
installation & adjustment.**



Bulletin 7652781 page 7 of 9

Version 03 Status RE Rev D

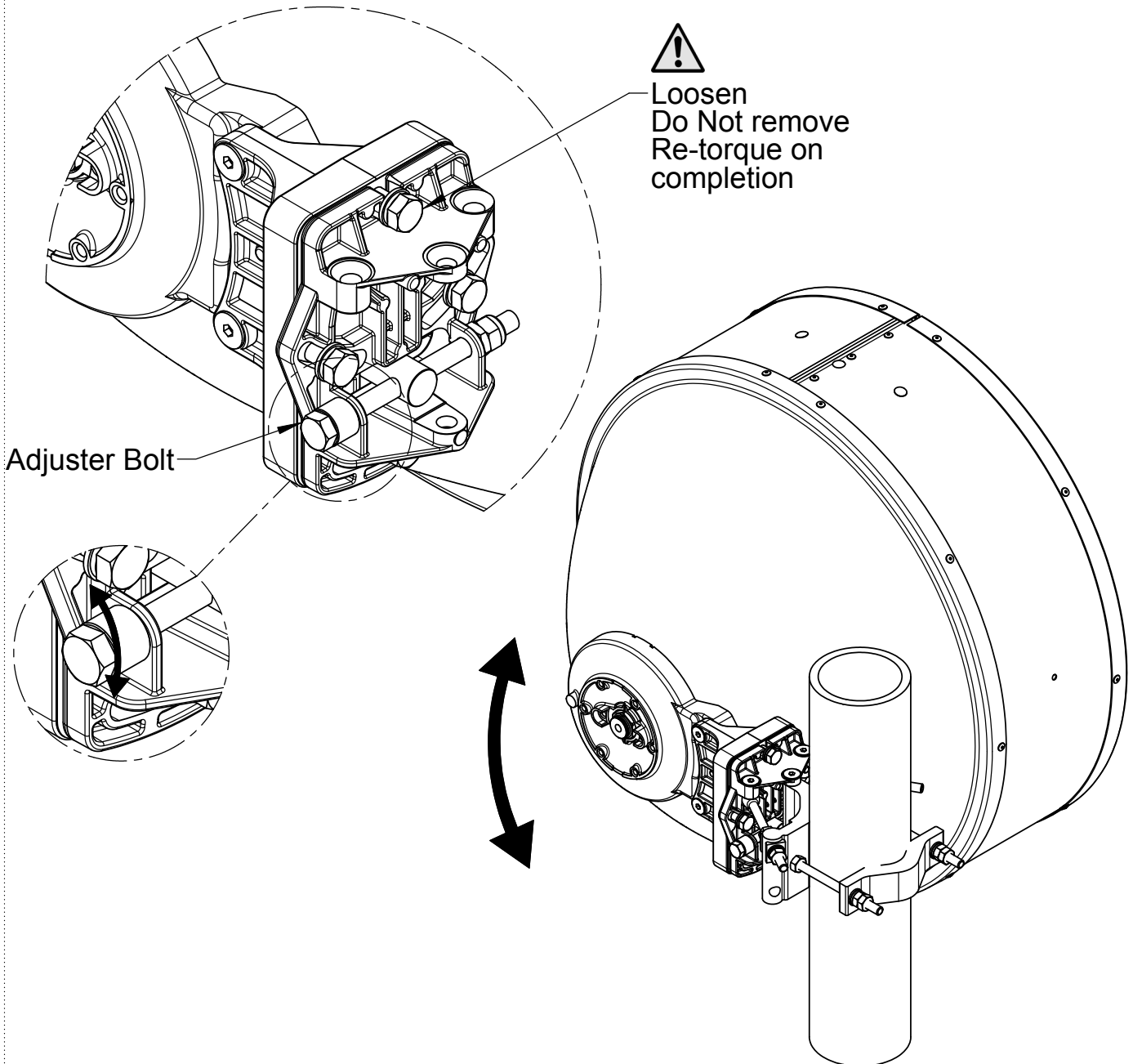
Model Version 08 Status RE Rev J

Elevation adjustment

Ensure 4 screws are finger tight.

Adjust Elevation by rotating Adjustment Bolt.

On completion tighten 4 screws to 22Nm ± 5%



Andrew Solutions

Customer Service 24 hours

U.S.A., Canada, Mexico: 1-800-255-1479
or 1-888-235-5732
U.K.: 0800 250055
Other Europe: +44 592 782 612

www.commscope.com/andrew

Visit our Web site at www.commscope.com/andrew or contact your local Andrew Solutions representative for more information.
© 2008 CommScope, Inc. All rights reserved.

Andrew Solutions is a trademark of CommScope. All trademarks identified by ® or ™ are registered trademarks or trademarks, respectively, of CommScope. This document is for planning purposes only and is not intended to modify or supplement any specifications or warranties relating to Andrew Solutions products or services.

Notice: Andrew disclaims any liability or responsibility for the results of improper or unsafe installation, inspection, maintenance, or removal practices.

Aviso: Andrews no acepta ninguna obligación ni responsabilidad como resultado de prácticas incorrectas o peligrosas de instalación, inspección, mantenimiento o retiro.

Avis : Andrew decline toute responsabilité pour les conséquences de procédures d'installation, d'inspection, d'entretien ou de retrait incorrectes ou dangereuses.

Hinweis: Andrew lehnt jede Haftung Oder Verantwortung für Schaden ab, die aufgrund unsachgemäß Installation, Überprüfung, Wartung Oder Demontage auftreten.

Atencao: A Andrew abdica do direito de toda responsabilidade pelos resultados de praticas inadequadas e sem seguranca de instalacao, inspecao, manutengao ou remocao.

Avvertenza: Andrew declina eventual! responsabilita denvanti dell'esecuzione di procedure di installazione, ispezione, manutenzione e smontaggio improprie o poco sicure.

注意：Andrew 公司申明對於不恰當或不安全的安裝、檢驗、維修或拆卸操作所導致的後果不負任何義務和責任



Installation Instructions

Sentinel™ Class 4 Antenna mount assembly, installation & adjustment.

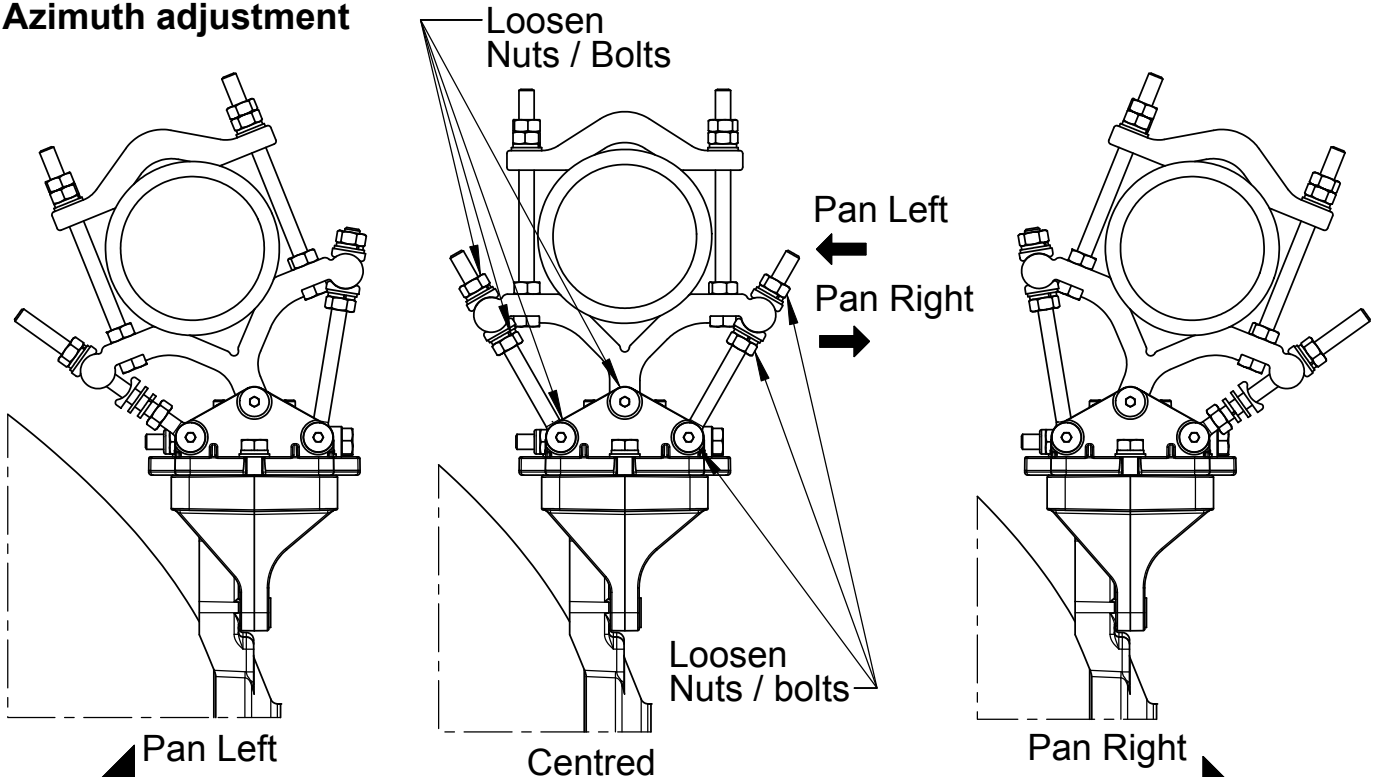


Bulletin 7652781 page 8 of 9

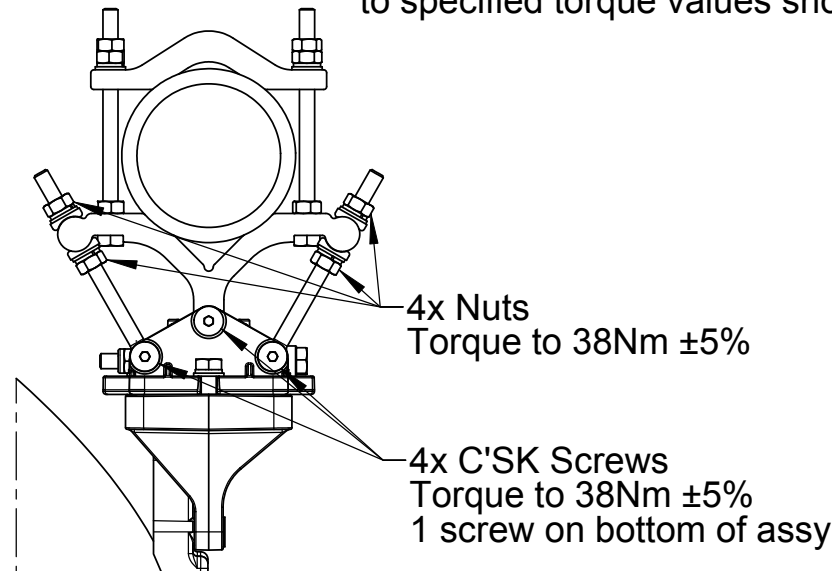
Version 03 Status RE Rev D

Model Version 08 Status RE Rev J

Azimuth adjustment



After Azimuth adjustment re-tighten hardware to specified torque values shown below



Andrew Solutions

Customer Service 24 hours
 U.S.A., Canada, Mexico: 1-800-255-1479
 or 1-888-235-5732
 U.K.: 0800 250055
 Other Europe: +44 592 782 612

www.commscope.com/andrew

Visit our Web site at www.commscope.com/andrew or contact your local Andrew Solutions representative for more information.
 © 2008 CommScope, Inc. All rights reserved.

Andrew Solutions is a trademark of CommScope. All trademarks identified by ® or ™ are registered trademarks or trademarks, respectively, of CommScope. This document is for planning purposes only and is not intended to modify or supplement any specifications or warranties relating to Andrew Solutions products or services.

Notice: Andrew disclaims any liability or responsibility for the results of improper or unsafe installation, inspection, maintenance, or removal practices.
 Aviso: Andrews no acepta ninguna obligación ni responsabilidad como resultado de practicas incorrectas o peligrosas de instalacion, inspección, mantenimiento o retiro.
 Avis: Andrew decline toute responsabilité pour les consequences de procedures d'installation, d'inspection, d'entretien ou de retrait incorrectes ou dangereuses.
 Hinweis: Andrew lehnt jede Haftung Oder Verantwortung für Schaden ab, die aufgrund unsachgemäß Installation, Überprüfung, Wartung Oder Demontage auftreten.
 Atencao: A Andrew abdica do direito de toda responsabilidade pelos resultados de praticas inadequadas e sem segurança de instalacao, inspecao, manutengao ou remocao.
 Avvertenza: Andrew declina eventual! responsabilita dervanti dell'esecuzione di procedure di installazione, ispezione, manutenzione e smontaggio improprie o poco sicure.

注意：Andrew 公司申明對於不恰當或不安全的安裝、檢驗、維修或拆卸操作所導致的後果不負任何義務和責任



Installation Instructions

Sentinel™ Class 4 Antenna mount assembly,
installation & adjustment.

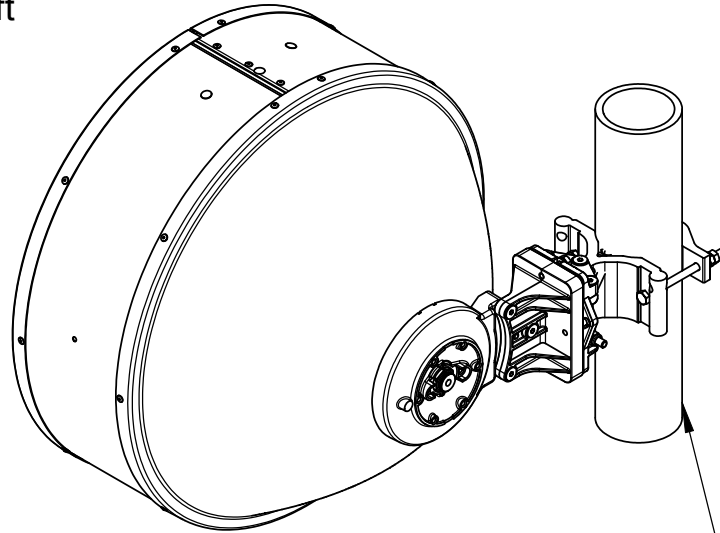


Bulletin 7652781 page 9 of 9

Version 03 Status RE Rev D

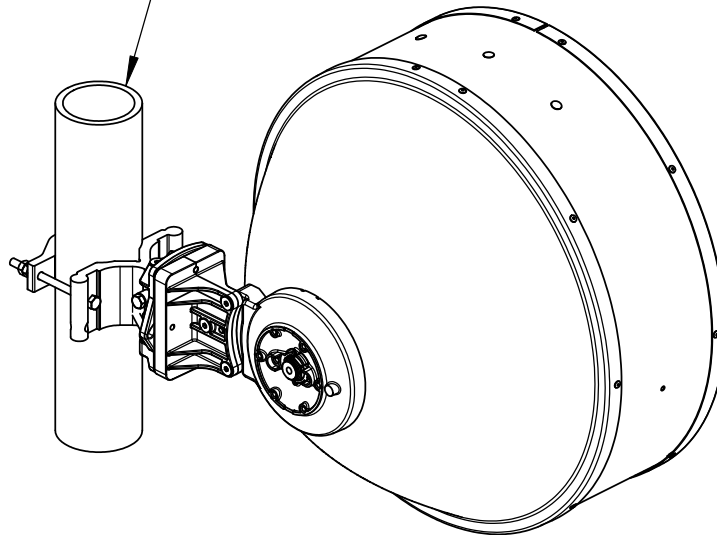
Model Version 08 Status RE Rev J

Antenna offset Left



Pole to be structural engineer
approved rigid structural support

Antenna offset Right



NOTE - TRANSITION, OMT & CUSTOMER INTERFACE OMITTED.

Andrew Solutions

Customer Service 24 hours

U.S.A., Canada, Mexico: 1-800-255-1479
or 1-888-235-5732
U.K.: 0800 250055
Other Europe: +44 592 782 612

www.commscope.com/andrew

Visit our Web site at www.commscope.com/andrew or contact your local Andrew Solutions representative for more information.
© 2008 CommScope, Inc. All rights reserved.

Andrew Solutions is a trademark of CommScope. All trademarks identified by ® or ™ are registered trademarks or trademarks, respectively, of CommScope. This document is for planning purposes only and is not intended to modify or supplement any specifications or warranties relating to Andrew Solutions products or services.

Notice: Andrew disclaims any liability or responsibility for the results of improper or unsafe installation, inspection, maintenance, or removal practices.

Aviso: Andrews no acepta ninguna obligación ni responsabilidad como resultado de prácticas incorrectas o peligrosas de instalación, inspección, mantenimiento o retiro.

Avis: Andrew decline toute responsabilité pour les conséquences de procédures d'installation, d'inspection, d'entretien ou de retrait incorrectes ou dangereuses.

Hinweis: Andrew lehnt jede Haftung Oder Verantwortung für Schaden ab, die aufgrund unsachgemäßer Installation, Überprüfung, Wartung Oder Demontage auftreten.

Atencao: A Andrew abdica do direito de toda responsabilidade pelos resultados de praticas inadequadas e sem seguranca de instalacao, inspecao, manutengao ou remocao.

Awertenza: Andrew declina eventual! responsabilita denvanti dell'esecuzione di procedure di installazione, ispezione, manutenzione e smontaggio improprie o poco sicure.

注意：Andrew 公司申明對於不恰當或不安全的安裝、檢驗、維修或拆卸操作所導致的後果不負任何義務和責任

