



M14MMO Multi-Media Outlet Instructions

Ordering Information

Ordering information is listed below:

Material ID	Description
107655169	M14MMO-003 Black
107655177	M14MMO-246 Ivory
107655185	M14MMO-262 White
107655193	M14MMO-272 Gray

Parts List

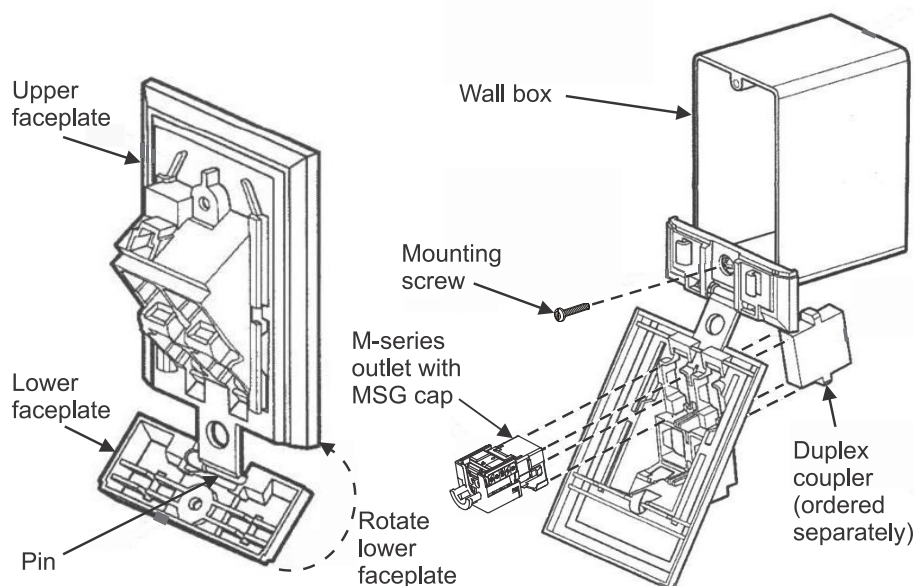
Verify contents from the parts listed below:

Quantity	Description
1	Upper faceplate
1	Lower faceplate
1	Hood
1	Fiber snap-on spool
2	Mounting screws
1	Instruction sheet

How to Contact Us

- To find out more about **CommScope®** products, visit us on the web at <http://www.commscope.com/>
- For technical assistance:
 - Within the United States, contact your local account representative or technical support at 1-800-344-0223. Outside the United States, contact your local account representative or Authorized Business Partner.
 - Within the United States, report any missing/damaged parts or any other issues to CommScope Customer Claims at 1-866-539-2795. Outside the United States, contact your local account representative or Authorized Business Partner.

Step 1 – Mount Assembly in Wall Box



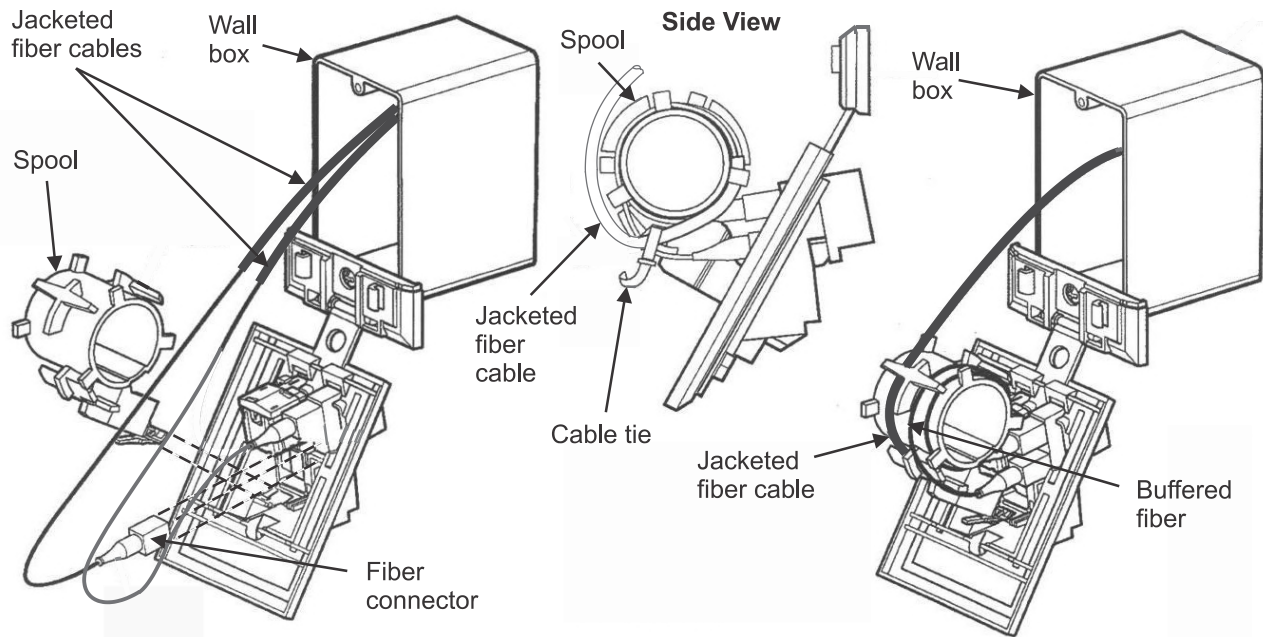
Note:

When installing two MGS M-series outlets side-by-side in this faceplate, the standard termination cap must be replaced with the termination cap contained in one of the kits listed below:

Material ID	Description
760105486	MSG-CAP-10 MSG Cap Kit – LP (pack of 10)
760105445	MSG-CAP-50 MSG Cap Kit – LP (pack of 50)

1. Insert small pin of upper faceplate into hole in lower faceplate.
2. Insert large pin of upper faceplate into hole in lower faceplate and rotate lower faceplate into position in the direction shown.
3. Rotate upper faceplate forward and insert mounting screw through hole in lower faceplate and into the wall box.
4. Snug mounting screw to secure assembly to wall box as shown. **Do not overtighten.**
5. Insert duplex couplers (ordered separately) for fiber connectors or M-series outlets (see note on previous page) into the upper faceplate as shown.

Step 2 – Insert Fiber Connectors and Spool



1. Remove 24 inches (610mm) of outer jacket from fiber cable and install fiber connectors per instructions included with the connectors.
2. Insert fiber connectors and snap spool into upper faceplate.
3. Wrap excess buffered fiber around storage spool until jacket can be installed through slot and secured with cable tie.

Step 3 – Rotate Assembly into Wall Box and Install Protective Hood

1. Rotate assembly into wall box and secure with mounting screw.

Caution: Do not exceed 3/4 inch (19mm) bend radius in the fiber cable.

2. Tighten both mounting screws.
3. Align edges of hood with grooves in faceplate and slide hood down over faceplate as shown.

