

5" (127mm)

COMMSCOPE®

M202SMB Surface Mount Box Instructions

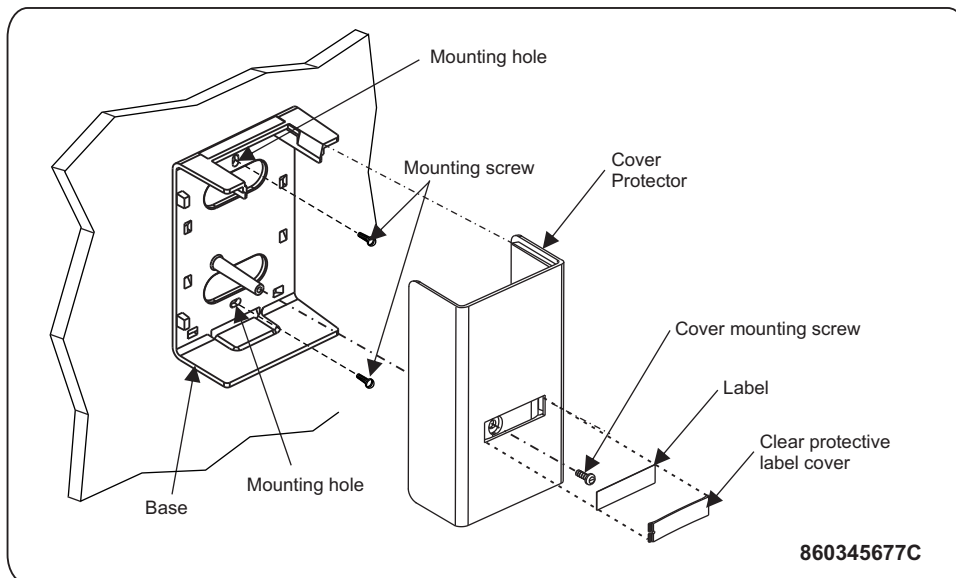
For a copy of the complete installation instructions for this product, please visit the website below.

<http://www.commscope.com/>



Issue 2, June 2013

3" (76mm)



Notes:

1. Card outline, keylines and dimensions are for reference only and do not print.

