



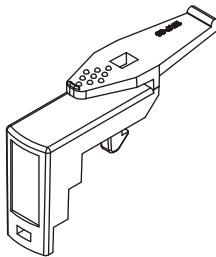
Field Termination of VisiPatch[®] 1-Pair Patch Cord

How to Contact Us

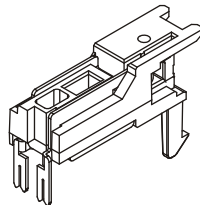
- To find out more about **SYSTIMAX**[®] Solutions, visit us on the web at <http://www.systimax.com/>
- For technical assistance regarding **SYSTIMAX** products:
 - Within the United States, contact your local account representative or **SYSTIMAX** technical support at 1-800-344-0223. Outside the United States, contact your local account representative or Authorized BusinessPartner.
 - Within the United States, report any missing or damaged parts to **SYSTIMAX** Customer Service in Omaha, NE, at 1-866-539-2795. Outside the United States, contact your local account representative or Authorized BusinessPartner.

Verify Parts

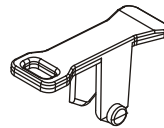
Verify contents of kit from parts shown below.



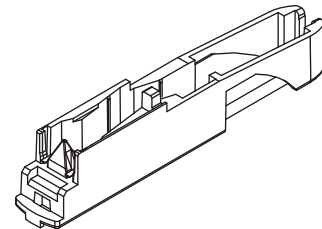
Top Cover



Contact Base



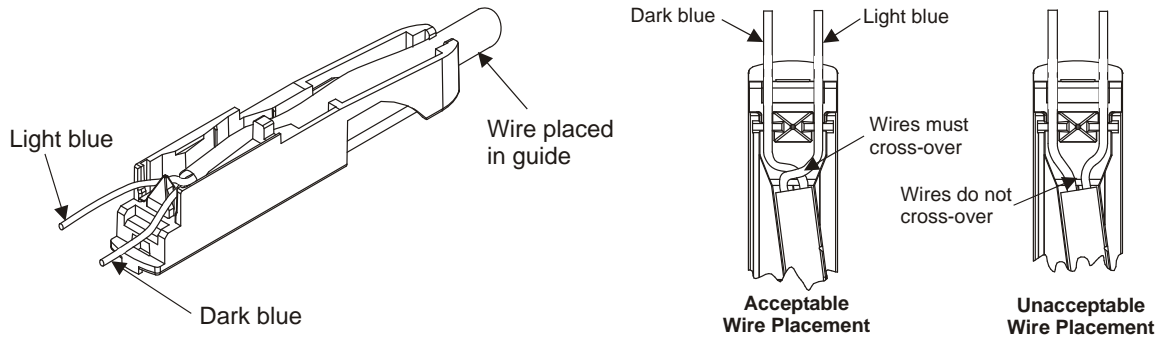
Anti-Snag Cover



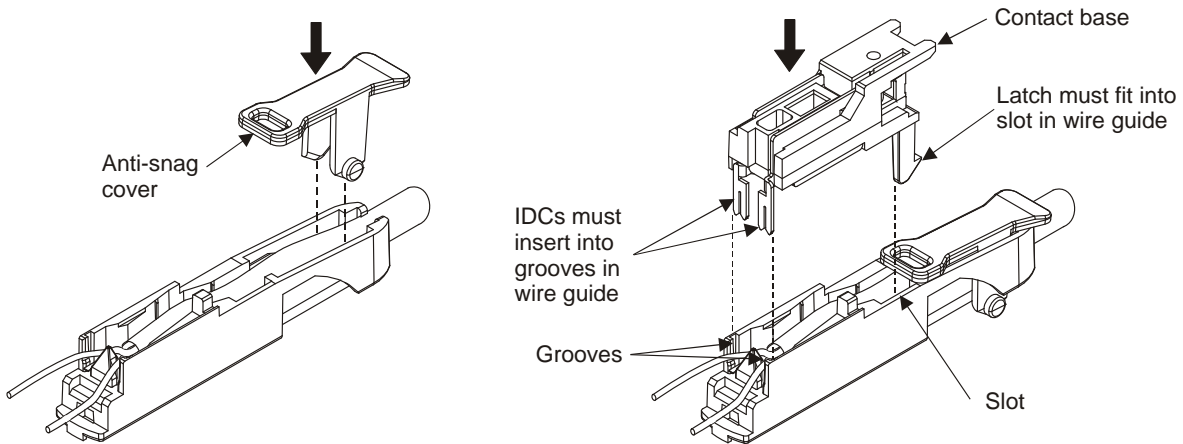
Wire Guide

This product is covered by one or more of the following U.S. patents or their foreign equivalents:
6,106,329, 5,915,989, 5,911,594, 6,403,885, 6,379,194, 6,302,699, 6,276,972, 6,118,075, 6,242,698, 5,718,604, 6,302,728,
6,284,980, 6,227,886, 6,159,020, 5,915,992.

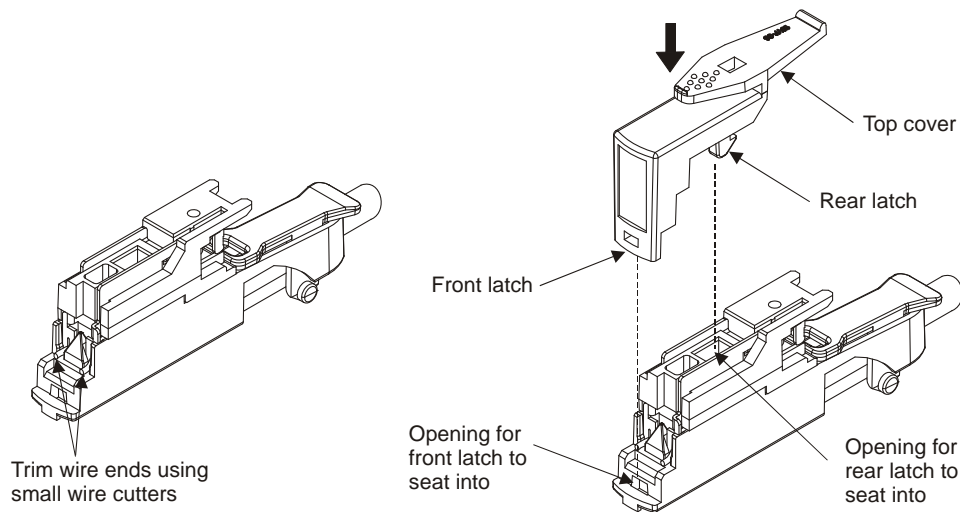
Assembly Instructions



1. Remove approximately 2 inches (51 mm) of outer sheath from patch cord.
2. Insert cord into wire guide as shown. Conductors **must** cross before exiting wire guide (see example of acceptable and unacceptable wire placement).



3. Position anti-slag cover and push down to seat on wire guide.
4. Insert contact base, being sure latch is seated in slot and IDCs are seated in grooves.



5. Trim ends of conductors back to wire guide approximately as shown.
6. Install top cover being sure that both front and rear latches engage in openings in wire guide.