



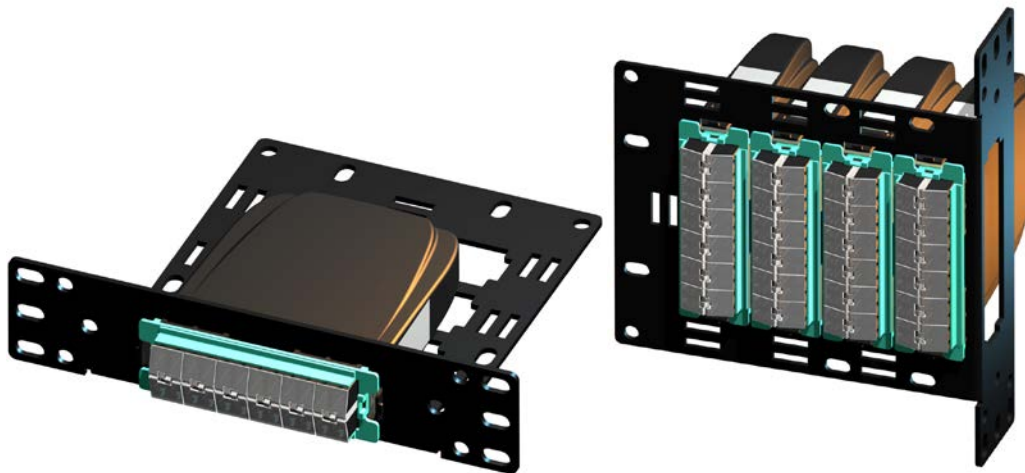
SYSTIMAX 360™ UMB Universal Mounting Bracket Installation Instructions

General

The **SYSTIMAX 360™** UMB universal mounting bracket is 7.75-inch wide (196.9mm) (4RU) x 1.75-inch high (44.5mm) (1RU) and 6.25-inch deep (158.8mm). It is designed to accept up to four 360 **InstaPATCH®** modules but it will also accommodate 360G2/MODG2 modular cassettes. The 360-UMB offers flexibility of installation so that it may be used in many non-conventional applications. A variety of adapter and blank panels are also available for use with this bracket. This product is intended for indoor use or can be used outdoors in a suitable protective enclosure.

Ordering information is listed below:

Material ID	Part No.	Description
760117564	360-UMB	SYSTIMAX 360™ UMB universal mounting bracket for InstaPATCH modules



SYSTIMAX 360™ UMB Universal Mounting Bracket

How to Contact Us

- To find out more about **CommScope®** products, visit us on the web at <http://www.commscope.com/>
- For technical assistance:
 - Within the United States, contact your local account representative or technical support at 1-800-344-0223. Outside the United States, contact your local account representative or Authorized Business Partner.
 - Within the United States, report any missing/damaged parts or any other issues to **CommScope** Customer Claims at 1-866-539-2795. Outside the United States, contact your local account representative or Authorized Business Partner.

Tools Required

- Philips-head screwdriver

Parts List

Verify parts against the parts list below:

Quantity	Description
1	Bracket
1	Fiber management kit (hook-and-loop fastener strip)
4	#12-24 x 3/8-inch screws for 19-inch and 23-inch rack/cabinet mounting
4	M6 x 12 screws for ETSI rack/cabinet mounting
1	Instruction sheet

Related Components for 360 UMB Universal Mounting Bracket

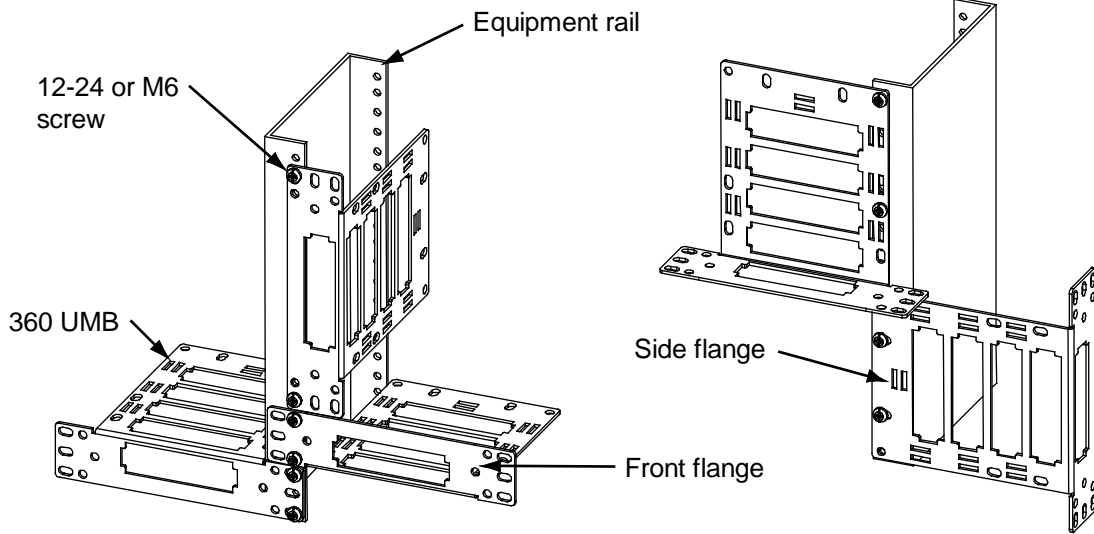
Contact your **SYSTIMAX** sales representative for more information on a wide variety of modules, panels, and accessories that are compatible with this product.



CAUTIONS:

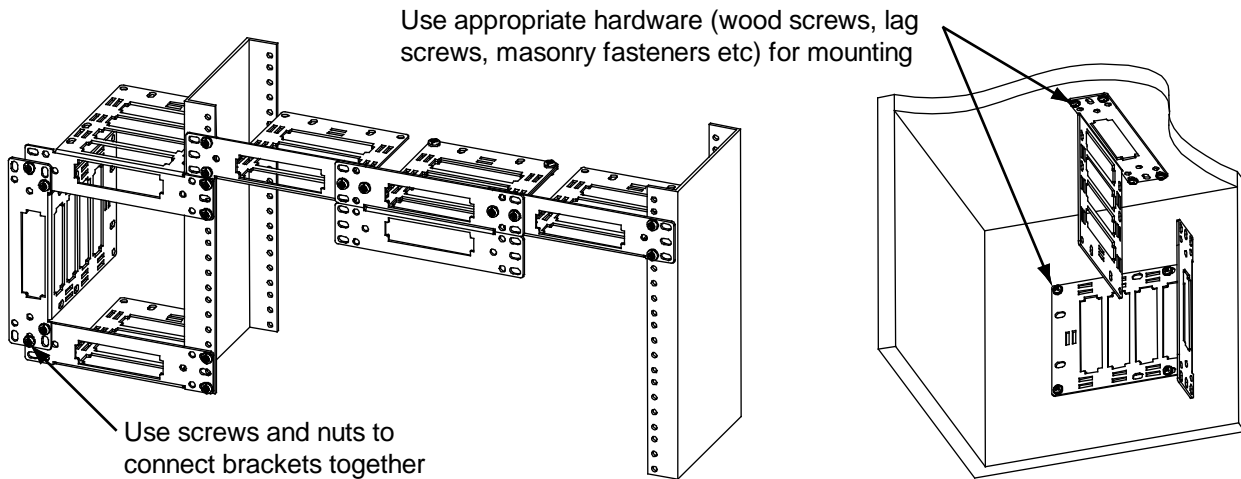
- Disconnected optical components may emit invisible optical radiation that can damage your eyes. Never look directly into an optical component that may have a laser coupled to it. Serious and permanent retinal damage is possible. If accidental exposure to laser radiation is suspected, consult a physician for an eye examination.
- Wearing safety glasses during installation of this bracket is recommended. Although standard safety glasses provide no protection from potential optical radiation, they offer protection from accidental airborne hardware and cleaning solvents.

Step 1 - Mount Bracket



Option for mounting with front flange

Option for mounting with side flange



Option for linking multiple brackets together

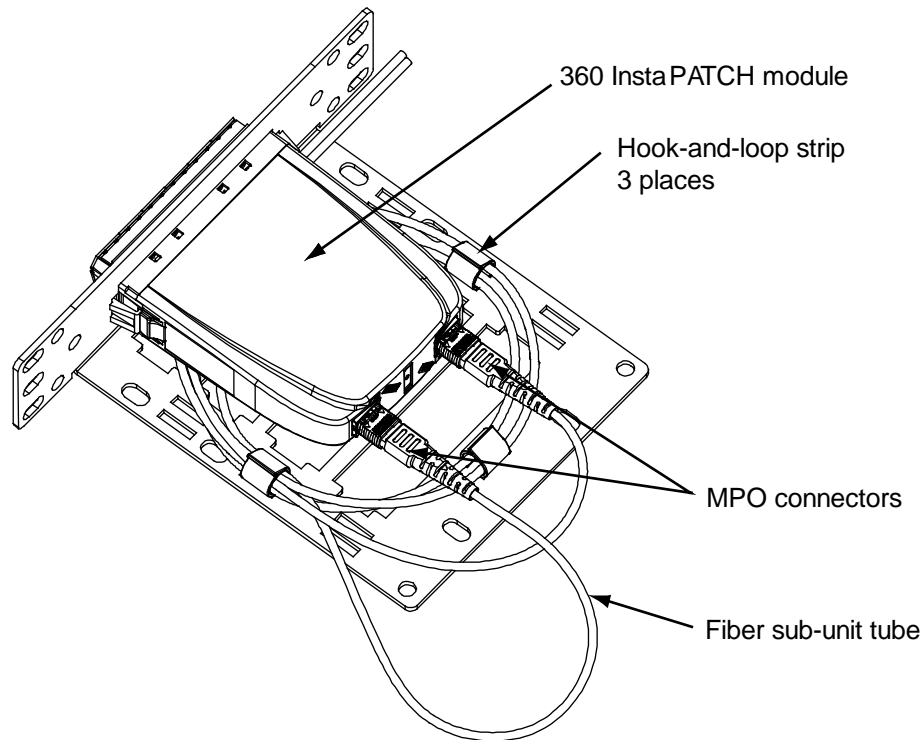
Option for wall & ceiling mounting

1. Determine the rack/cabinet size and desired mounting location.

- For 19-inch or 23-inch rack – Mount bracket to equipment rails using two #12-24 x 3/8-inch screws (provided).
- For ETSI rack – Mount the bracket to the rails using two M6 x 12mm screws (provided).

Note: For wall/ceiling mount configurations or when brackets are to be linked together, fasteners are not provided but appropriate hardware may be obtained locally.

Step 2 – Install Module(s) & Manage Fiber



1. Orient module as desired and slide through opening in panel.
- Note:** Observe ALPHA/BETA polarity rules when using 360 **InstaPATCH** modules.
2. Push module against panel until latches on LH and RH side engage with an audible click.
 3. Repeat for remaining locations, if applicable.
 4. Terminate MPO connector(s) into adapter(s) on rear of module.
 5. For a single module application, use hook-and-loop strips to manage slack and restrain fiber sub-unit tubes to bracket. Multiple module applications require slack fiber management to be done outside of the bracket.