

4

3

2

1

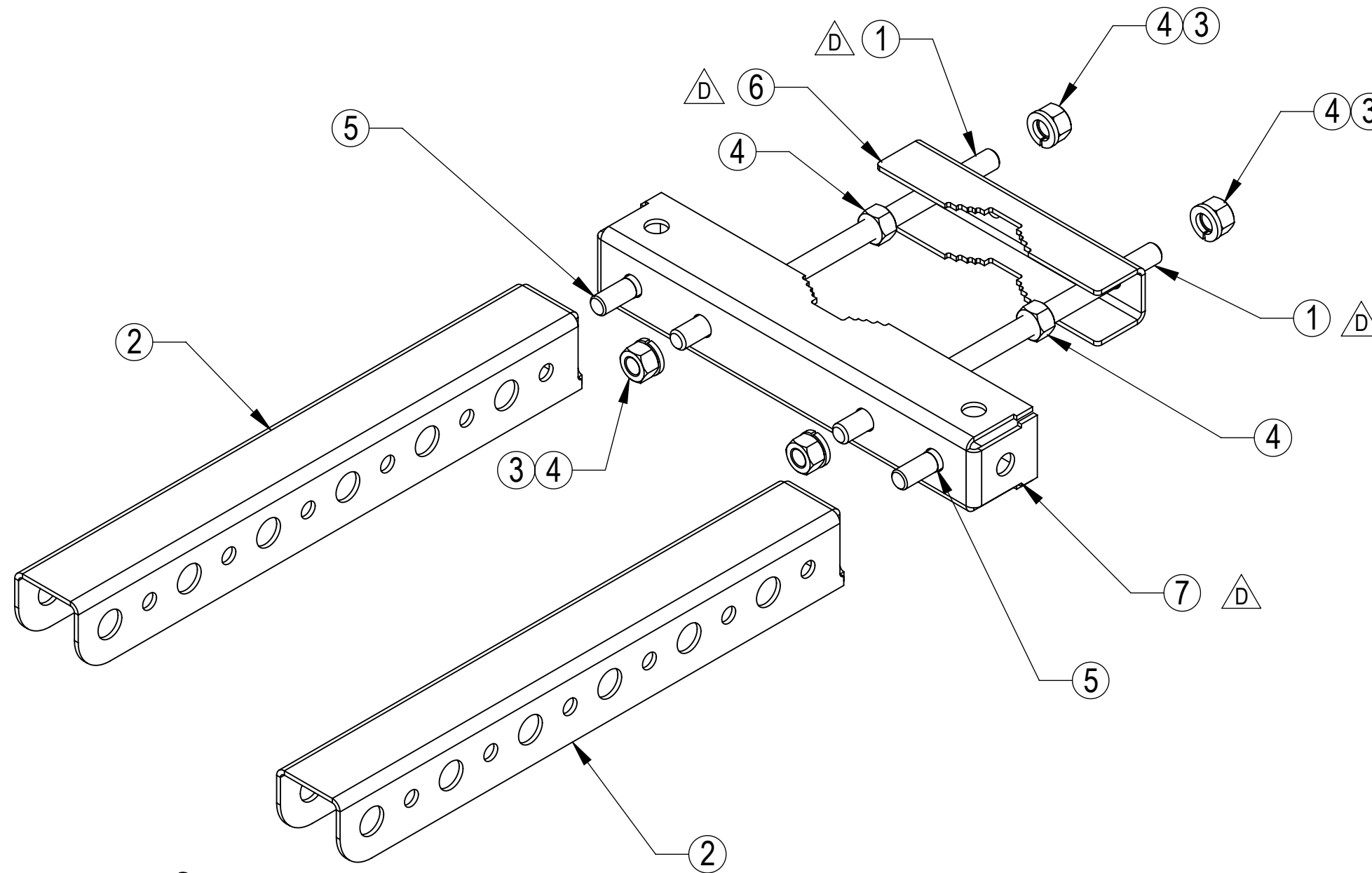
NOTES:

- 1.0 GENERAL
- 1.1 ALL METRIC DIMENSIONS ARE IN BRACKETS
- 2.0 DESIGN NOTES
- 2.1 TORQUE TO 40 IN-LBS FPR THREADED ROD
- 2.2 TORQUE TO 75 FT-LBS FOR BOLTS
- 3.0 MANUFACTURING/SPECIAL REQUIRMENTS
- 4.0 TEST
- 5.0 PACKAGING

REVISIONS				
REV.	ECN	DESCRIPTION	BY	DATE
A	800008041	INITIAL RELEASE	RJC	05/07/15
B	8000014053	CHG BOM	CEB	05/06/16
C	8000030297	ADD HOLES ON BRACKET FOR SUPPORT	FA	06/13/18
D	8000032184	REDESIGN CLAMPS AND ARMS	RDLS	10/19/18

PART OF ITEM 5
BOLT KIT GB-04125

PART OF ITEM 5
BOLT KIT GB-04125



ITEM	PART NO.	DESCRIPTION	QTY.	WEIGHT	NOTE NO.
1	MT37910	1/2" X 10" GALV THREADED ROD	2	0.55 LBS	
2	SSTB02	WELDED SNAP-IN HANGER ARM	2	2.82 LBS	
3	GWL-04	1/2" GALV LOCK WASHER	4	0.01 LBS	
4	GN-04	1/2" GALV HEX NUT	6	0.04 LBS	
5	GB-04125	1/2" X 1-1/4" GALV BOLT KIT	2	0.12 LBS	
6	MTC374303	CLAMP, BACK, ACS-D24, 11 GA, 1.5X1.5X7	1	0.86 LBS	
7	MTC374304	CLAMP, FRONT, ACS-D24, 11 GA, 2X2X12	1	2.24 LBS	

△ D
△ D
△ D
△ D

COMMSCOPE, INC. OF NORTH CAROLINA

TOLERANCES		SAP MATERIAL MASTER																					
1 PLACE .X ± .25	3 PLACE .XXX ± 0.06	ACS-D24																					
2 PLACE .XX ± 0.12	ANGLES ± 2°																						
FINISH GALV A123		MATERIAL A1011 GR 33																					
UNLESS OTHERWISE SPECIFIED DIMENSIONS ARE IN INCHES INTERPRET PER ANSI Y 14.5M-1994		TITLE DUAL LEG CABLE SUPPORT BRKT																					
<table border="1"> <thead> <tr> <th></th> <th>NAME</th> <th>DATE</th> <th>TITLE</th> </tr> </thead> <tbody> <tr> <td>CE</td> <td>RD1048</td> <td>08/24/18</td> <td rowspan="5">DUAL LEG CABLE SUPPORT BRKT</td> </tr> <tr> <td>RW</td> <td>RD1048</td> <td>11/08/2018</td> </tr> <tr> <td>RV</td> <td></td> <td></td> </tr> <tr> <td>AD</td> <td>AK1101</td> <td>11/08/2018</td> </tr> <tr> <td>RE</td> <td>RD1048</td> <td>11/08/2018</td> </tr> </tbody> </table>			NAME	DATE	TITLE	CE	RD1048	08/24/18	DUAL LEG CABLE SUPPORT BRKT	RW	RD1048	11/08/2018	RV			AD	AK1101	11/08/2018	RE	RD1048	11/08/2018	SCALE 1:3	
	NAME	DATE	TITLE																				
CE	RD1048	08/24/18	DUAL LEG CABLE SUPPORT BRKT																				
RW	RD1048	11/08/2018																					
RV																							
AD	AK1101	11/08/2018																					
RE	RD1048	11/08/2018																					
ECN 008000032184		DOCUMENT NO. ACS-D24																					
SIZE WORK AREA 24		MODEL																					
DENSITY 10.50 lbs/in ³		DRAWING																					
MASS 10.50 lbs		VERSION STATUS REVISION																					
VOLUME in ³		VERSION STATUS REVISION																					
SURFACE AREA in ²		VERSION STATUS REVISION																					
HEIGHT 4		DRAWING																					
LENGTH 19		VERSION STATUS REVISION																					
WIDTH 6		VERSION STATUS REVISION																					
C		SHEET 1 OF 2																					

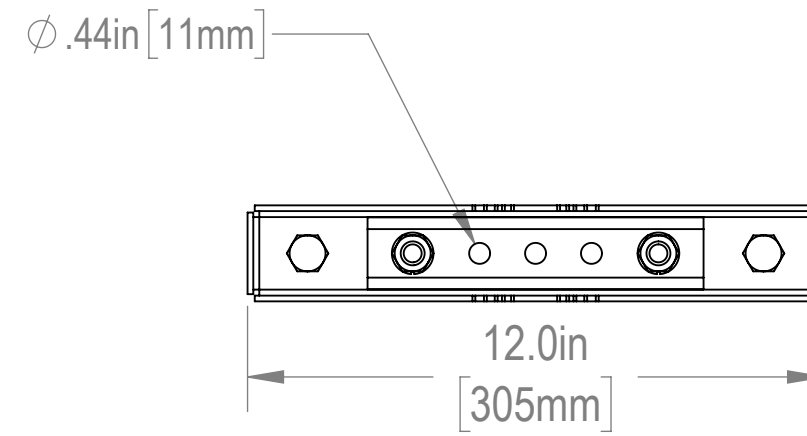
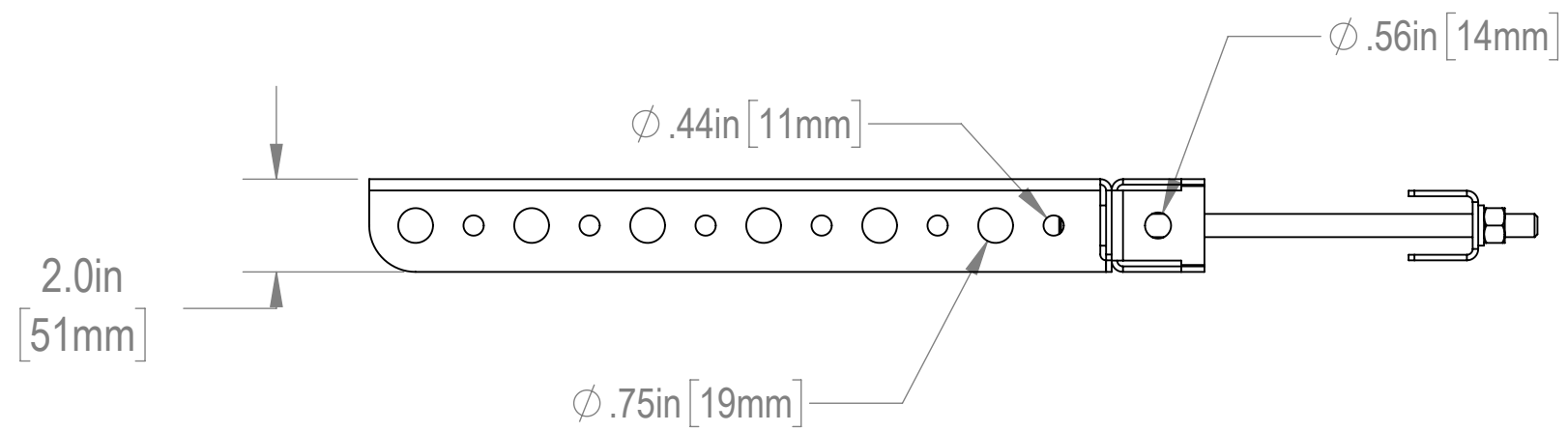
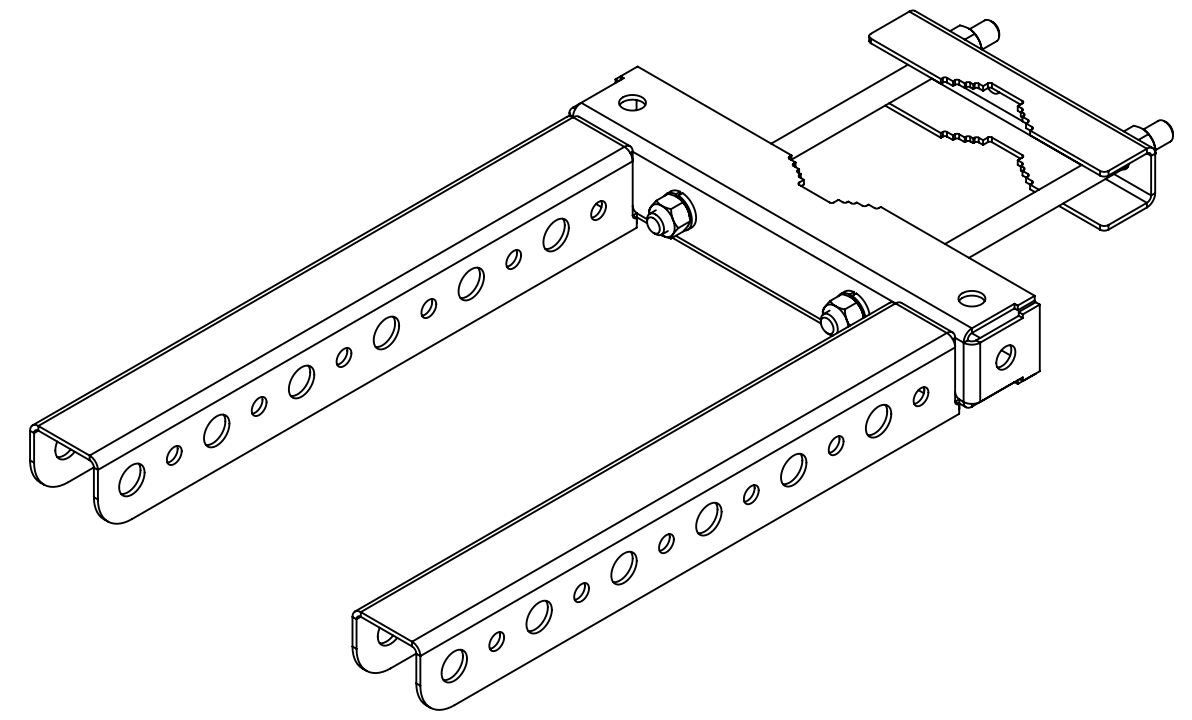
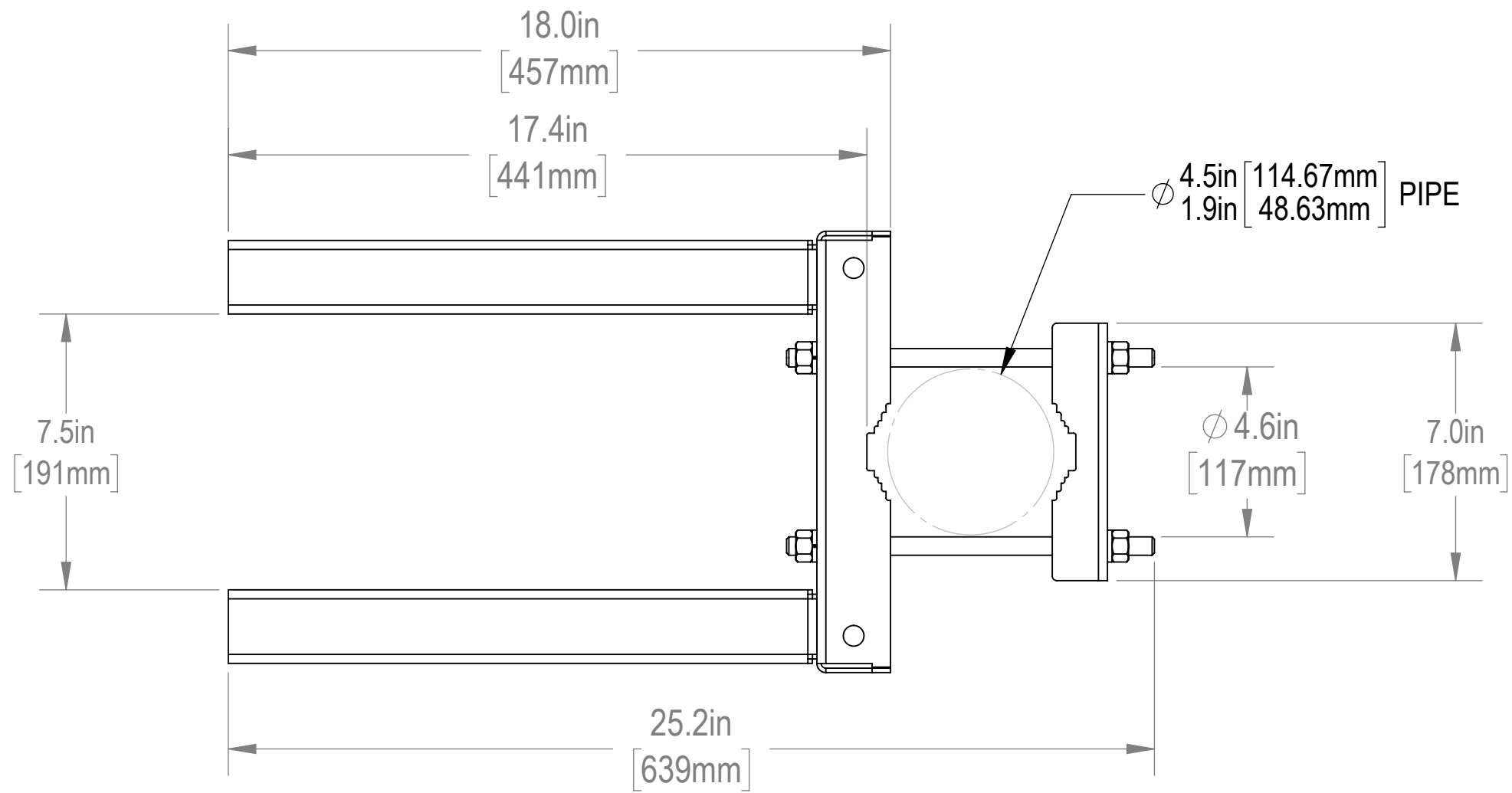
4

3

2

1

NOTES:



COMMSCOPE, INC. OF NORTH CAROLINA					
TITLE DUAL LEG CABLE SUPPORT BRKT					
SIZE C	SCALE 1:4	DOCUMENT NO. ACS-D24			
		DRAWING			SHEET 2 OF 2
		VERSION 03	STATUS RE	REVISION D	

© 2018 CommScope, Inc. Confidential

4

3

2

1

D

D

C

C

B

B

A

A