

Three-Tier Cable Clamp Kit (OSP-CLPFEC) Installation Instructions

Content	Page
INTRODUCTION	1
Revision History	1
1 GENERAL	1
2 INSTALLATION	3
2.1 One Cable Per Entry Port with Possible Future Cable Addition	4
2.2 Two Cables Per Entry Port	4
2.3 Three Cables Per Entry Port	4
3 CUSTOMER INFORMATION AND ASSISTANCE	6

INTRODUCTION

These instructions provide procedures for installing cable clamps in a stacked (Three Tier) arrangement. Up to three cable clamps can be assembled together for securing up to three cables in a cabinet.

Revision History

ISSUE	DATE	REASON FOR CHANGE
1	03/93	
2	07/93	
3	05/97	
4	10/97	
5	05/99	Update to current format standards.

1 GENERAL

The Three-Tier Clamp kit (OSP-CLPFEC) is designed for use in the Fiber Entrance Cabinet (FEC). The FEC uses a water resistant grommet with three cutouts to accommodate multiple and various sized cables in each entry port. The kit covers cable with outside diameters up to 0.80 inch (20 mm). The contents of each kit are listed in Table 1.

The OSP-CLPFEC kit U-brackets are designed to support a cable clamp and add-on clamps. U-bracket #1 has clearance holes to allow the first cable clamp to mount onto the cable terminating and grounding plate. U-bracket #2 is used in the second position and has threaded holes for the cable clamp screws. The bracket top, also has threaded holes for the cable clamp and can be used in the second or third position See Figure 1. Clamp configurations for one, two or three cables are shown in Figure 2. It is recommended to always use U-bracket #1 in the first position. This will allow future cable additions without disturbing existing cables. See Figure 2A.

Table 1. OSP-CLPFEC Kit Hardware

ITEM	QUANTITY	ITEM	QUANTITY
Split Grommets (0.40, 0.50, 0.60 and 0.70 inch)	3 each size	Cable clamp screws #6-32 x 1.38 inches (35 mm)	6
Clamp Plates	3	Clamp Yokes	6
U-bracket #1	1	U-bracket #2	1
Bracket, top	1		

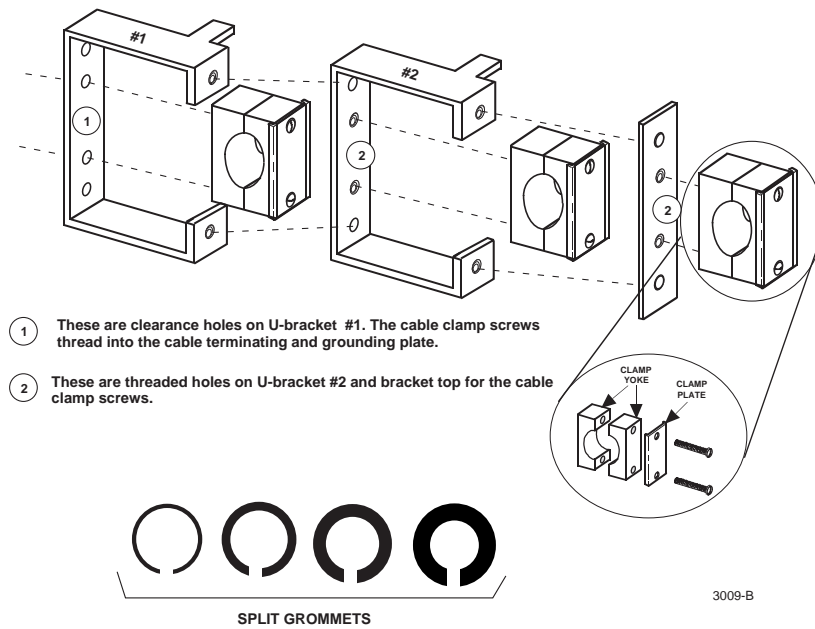


Figure 1. Three-Tier Cable Clamp

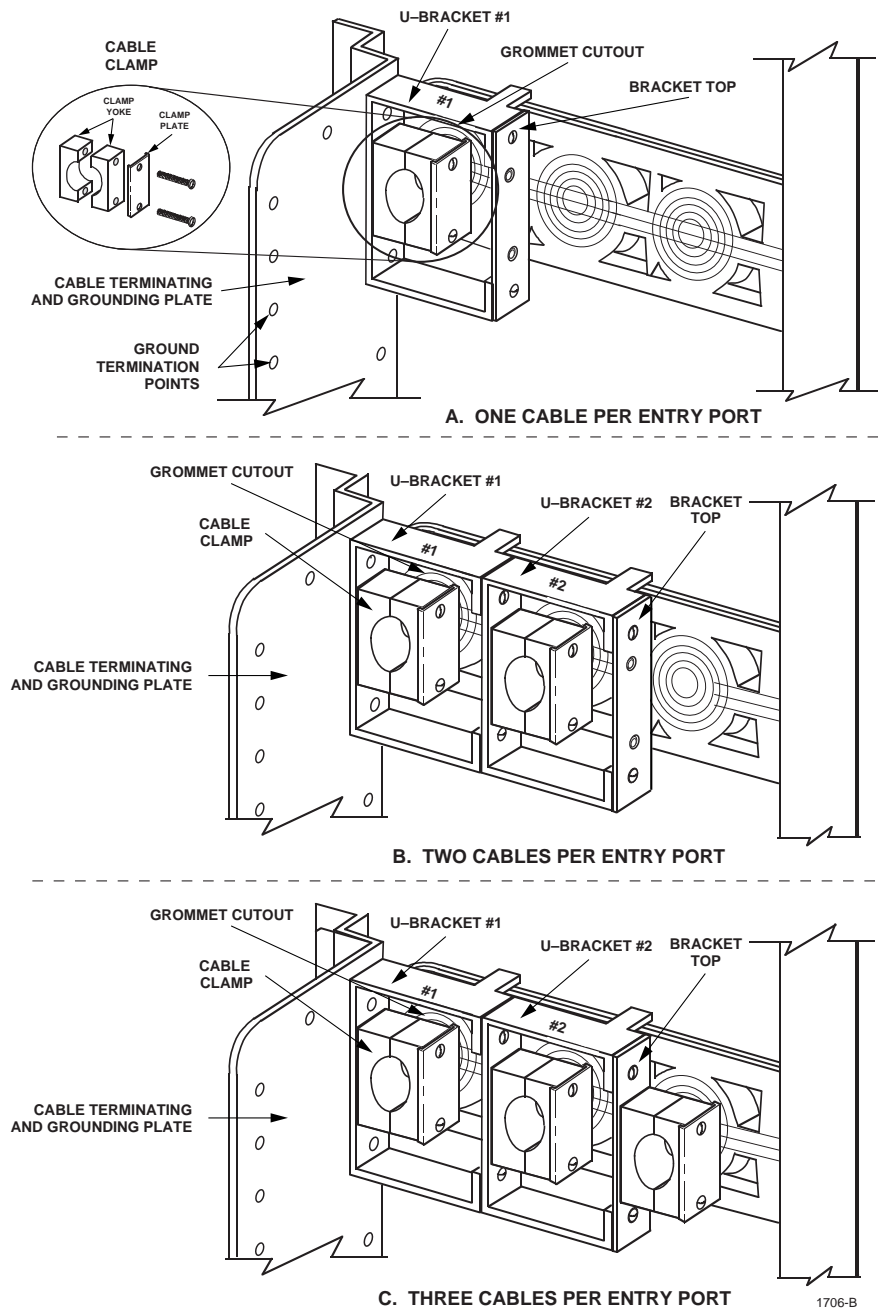


Figure 2. Three-Tier Clamp Configurations

2 INSTALLATION

The cable clamps are installed after the cable ground clamp and moisture blocking has been completed. The cable entry port grommet is removed for the ground clamp and moisture blocking procedures. After those operations are complete, install the cable clamps as described below.

2.1 One Cable Per Entry Port with Possible Future Cable Addition (Figure 2A)

1. Select the appropriate cable entry port and remove the grommet.
2. Attach U-bracket #1 to the cable termination and grounding plate with the 1.38 inch long cable clamp screws. Insert the top screw only at this time. Do not tighten.
3. Lay the prepared cable in the cable clamp. Use split grommets as required to assure a tight fit. Insert the bottom screw and tighten both screws.
4. Attach a bracket top to U-bracket #1 using 6-32 × 0.25 inch screws.
5. Cutout an appropriate size opening in the grommet that is the closest in size to the outside diameter for the cable being installed.
6. Place the grommet over cable and insert into the cable entry slot. Start with the top groove first and press the grommet into the slot.
7. Connect the ground straps to the cable terminating and grounding plate as shown in Figure 3.

2.2 Two Cables Per Entry Port (Figure 2B)

8. Follow the procedures 1 through 4 for one cable per entry port.
9. Attach U-bracket #2 with 6-32 × 0.25 inch screws to U-bracket #1.
10. Lay the second prepared cable in the cable access port slot and U-bracket #2.
11. Install the cable clamp with appropriate split grommets.
12. Attach a bracket top to U-bracket #1 using 6-32 × 0.25 inch screws.
13. Cutout the appropriate size openings in the grommet that is the closest in size to the outside diameter for the cables being installed.
14. Place the grommet over the cables and insert into the cable entry slot. Start with the top groove first and press the grommet into the slot.
15. Connect the ground straps to the cable terminating and grounding plate as shown in Figure 3.

2.3 Three Cables Per Entry Port (Figure 2C)

16. Follow the procedures 9 through 12 for two cables per entry port.
17. Attach a cable clamp to the bracket top on U-bracket #2 using the cable clamp screws.
18. Lay the third prepared cable in the cable access port slot.
19. Install the cable clamp with appropriate split grommets.
20. Cutout the appropriate size openings in the grommet that is the closest in size to the outside diameter for the cables being installed.
21. Place the grommet over the cables and insert into the cable entry slot. Start with the top groove first and press the grommet into the slot.
22. Connect the ground straps to the cable terminating and grounding plate as shown in Figure 3.

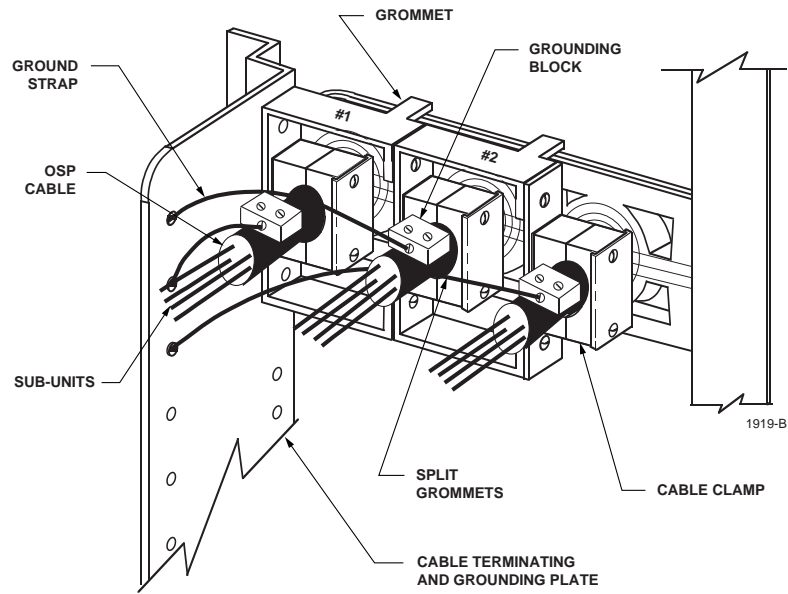


Figure 3. Three-Tier Clamp

3 CUSTOMER INFORMATION AND ASSISTANCE

To find out more about CommScope® products, visit us on the web at www.commscope.com

For technical assistance, customer service, or to report any missing/damaged parts, visit us at <http://www.commscope.com/SupportCenter>