

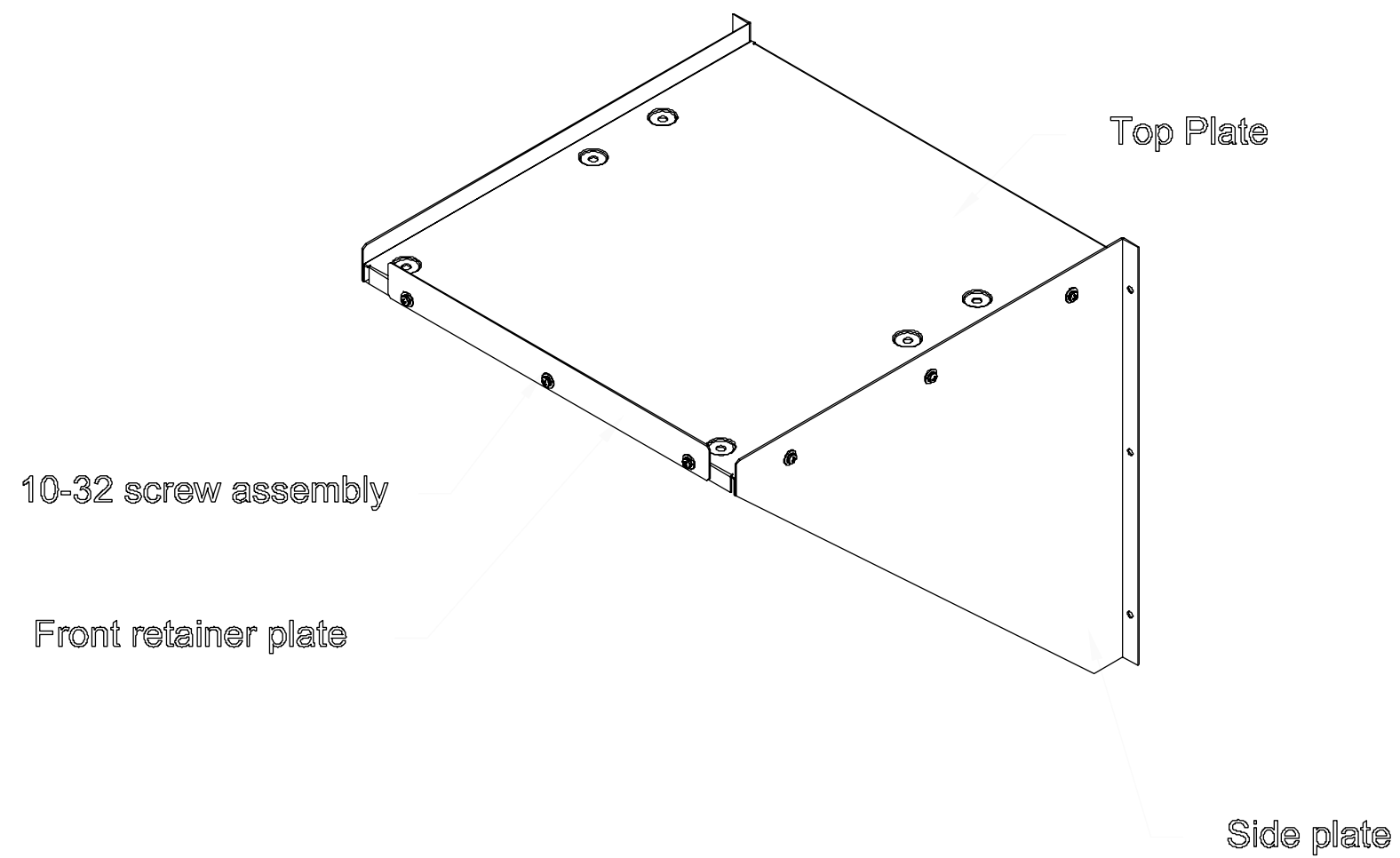
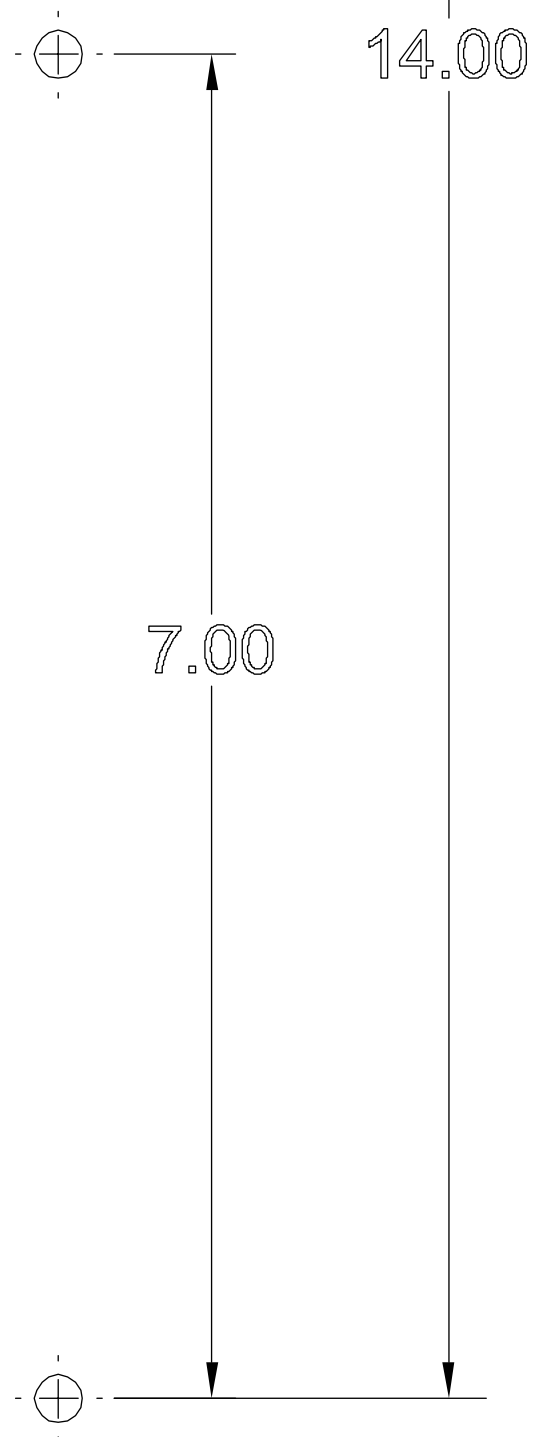
ANDREW[®]

WALL SHELF DRILL TEMPLATE

AE01B-D0462-001

REV: A

cad file: ae01b-d0462-01a



INSTRUCTIONS:

1. Tape template to wall.
2. Use marked holes as drill template.
3. Assemble shelf as shown prior to mounting on wall.
4. Use appropriate screws (minimum size #10) and anchors for wall material, and dehydrator weight.
5. Attach side plates to top plate with included 10-32 hardware.
6. Front retainer plate is recommended for use with MT/XT300 dehydrators but optional for use with MT050.