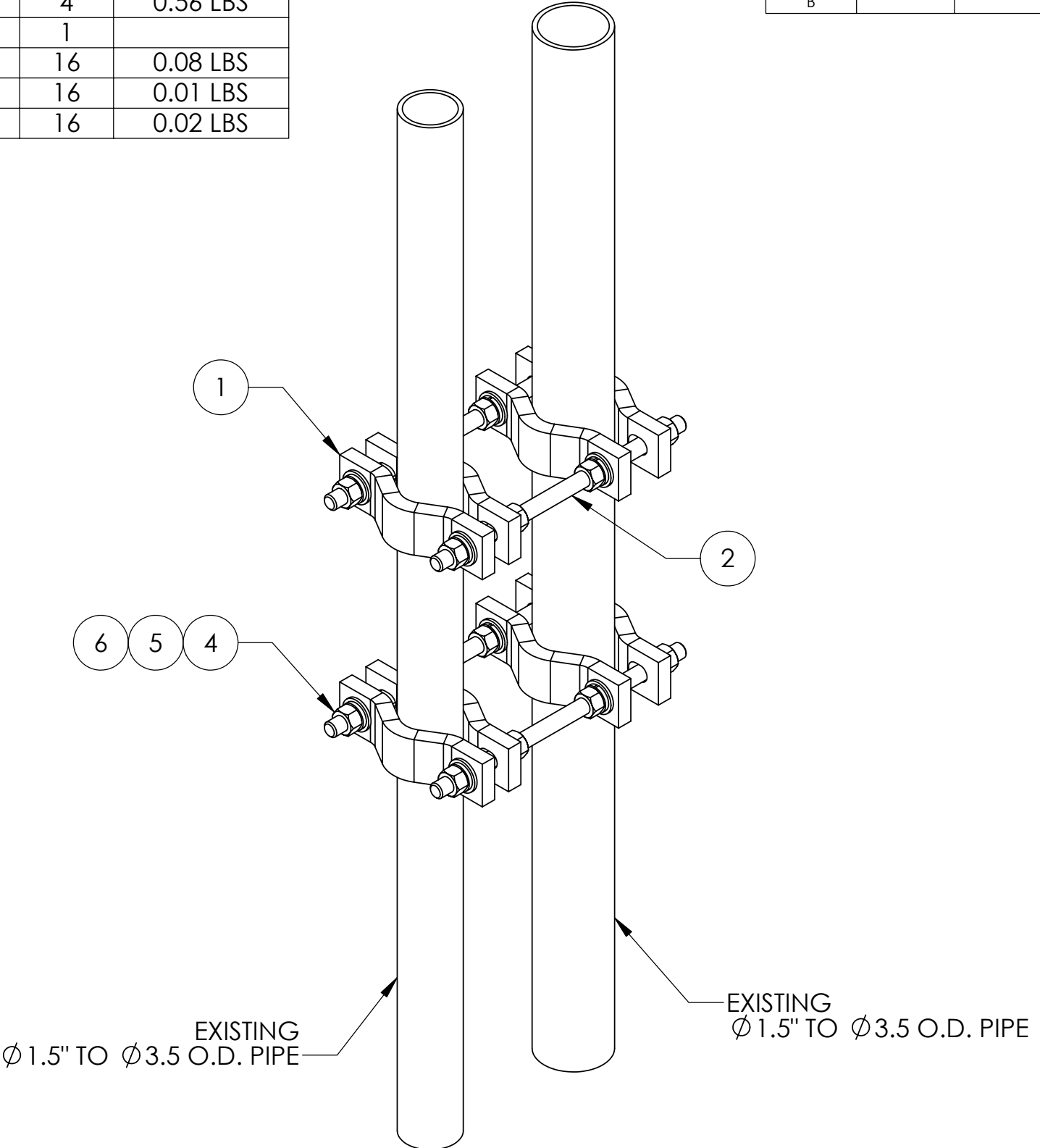



ITEM	PART NO.	DESCRIPTION	QTY.	WEIGHT
1	SC-P10	SMALL DISH CLAMP HALF	8	1.20 LBS
2	MT-379-10	1/2" X 10" GALV THREADED ROD	4	0.56 LBS
3	HB1216	HARDWARE KIT (ITEMS 4-6)	1	
4	GN04A	1/2" GALV HEX NUT (A325)	16	0.08 LBS
5	GWL-04	1/2" GALV LOCK WASHER	16	0.01 LBS
6	GWF04A	1/2" GALV FLAT WASHER (A325)	16	0.02 LBS

REVISIONS				
REV.	ZONE	DESCRIPTION	BY	DATE
A		INITIAL RELEASE	MLO	08/05/99
B		REDRAWN & REVISED	DMW	04/25/01



These drawings and specifications are the proprietary property of ANDREW CORPORATION and may be used only for the specific purpose authorized in writing by Andrew Corporation. ALL DIMENSIONS ARE IN INCHES U.O.S. TOLERANCES UNLESS OTHERWISE SPECIFIED: .X = ± .06 ANGLES ±2° .XX = ± .03 FRACTIONS ±1/32 .XXX = ± .010 REMOVE BURRS AND BREAK EDGES .005 DO NOT SCALE THIS PRINT	DRAWN BY: ACG	SHEET: 1 of 1	PART NUMBER: BC-30-10
	CHECKED BY: TP	SCALE: NTS	DESCRIPTION: PIPE TO PIPE CLAMP, HEAVY DUTY
	DATE: 10/14/05	MATERIAL: A36	DRAWING TYPE: ASSEMBLY DRAWING
	REVISION: B	FINISH: GALV A123 WEIGHT: 32.19 LBS	 ORLAND PARK, IL. 60462 U.S.A.