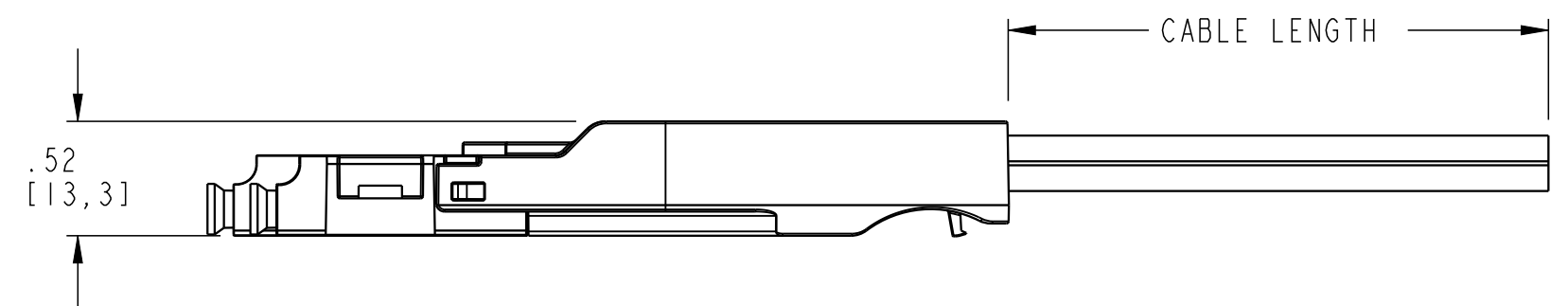
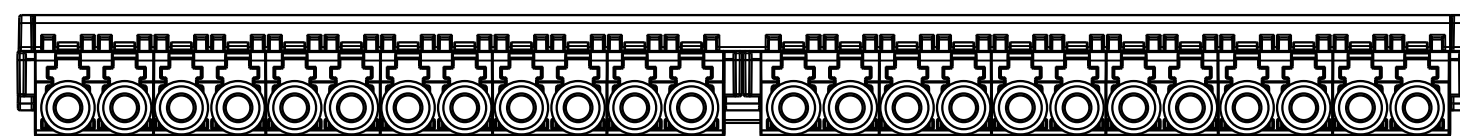
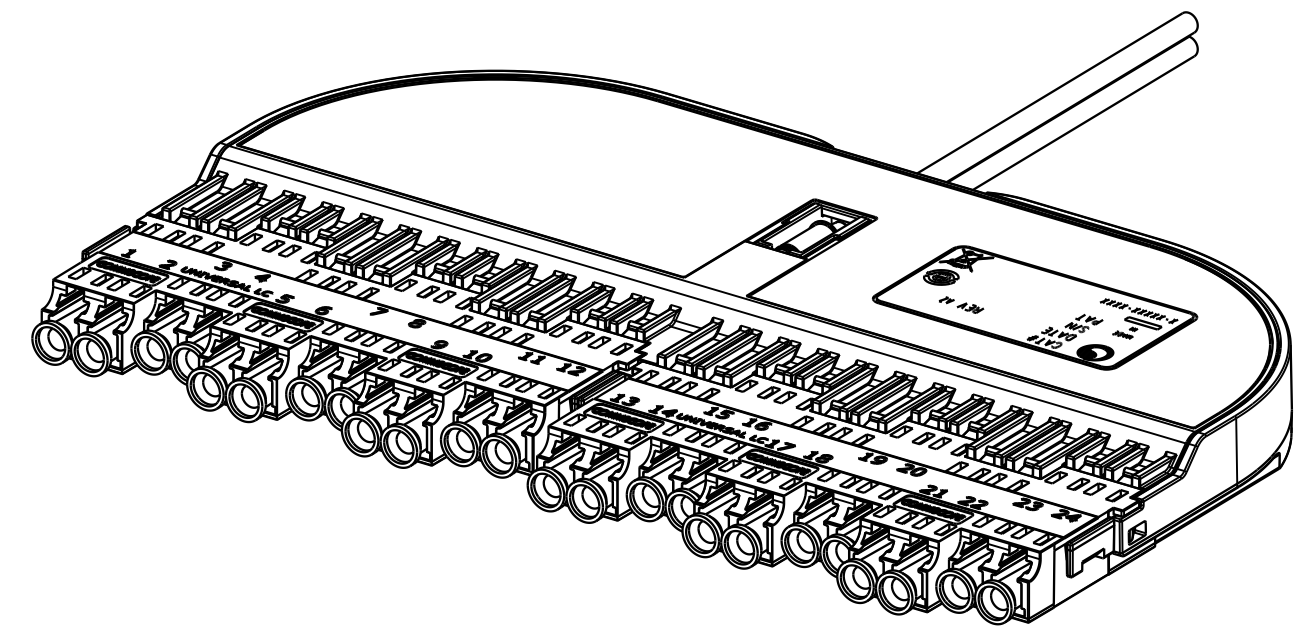
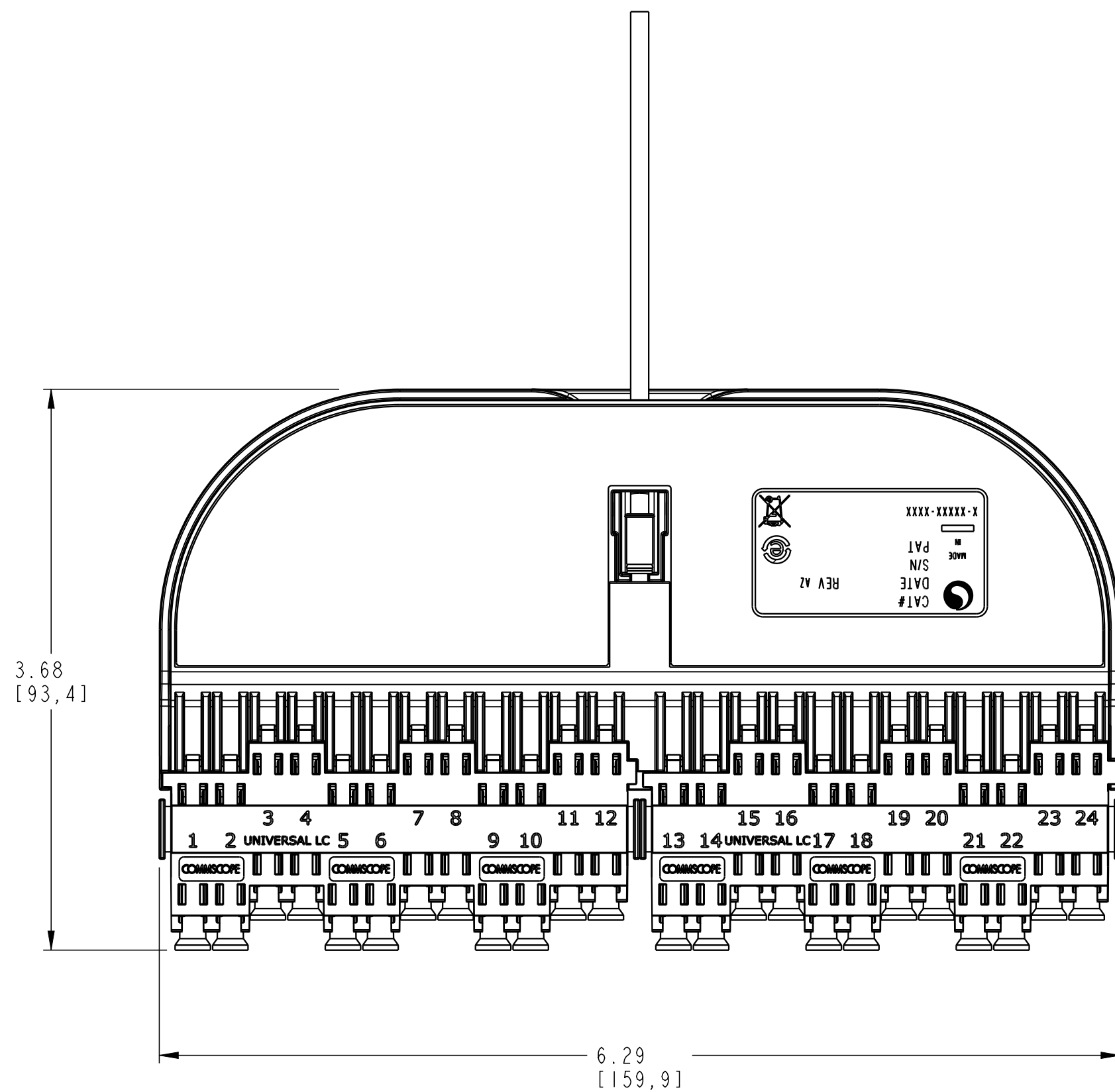


REV.	MCO	DWN	DATE
A	20338023	JAJR	20-MAR-13
B	8000019185	I AV	20-JAN-17



COMMSCOPE, INC.

© 2016 COMMSCOPE, INC. CONFIDENTIAL NOTICE: THESE DRAWINGS AND SPECIFICATIONS ARE THE PROPRIETARY PROPERTY OF COMMSCOPE, INC. AND MAY BE USED ONLY FOR THE SPECIFIC PURPOSE AUTHORIZED IN WRITING BY COMMSCOPE, INC.		TITLE NG4 ACCESS CABLED MODULE LC INSTALLATION DRAWING	
ALL DIMS AND TOLERANCES ARE INCHES UNLESS OTHERWISE SPECIFIED	.XX:±N/A .XXX:±N/A ANGULAR:±N/A	C SIZE	DRAWING NUMBER 300001758609
DO NOT SCALE DRAWING	ENGR: TOM MARCOUILLER DWN: JOSE A JARA	SHT. 1 OF 1	

DIMENSIONS IN INCHES
THIRD ANGLE PROJECTION