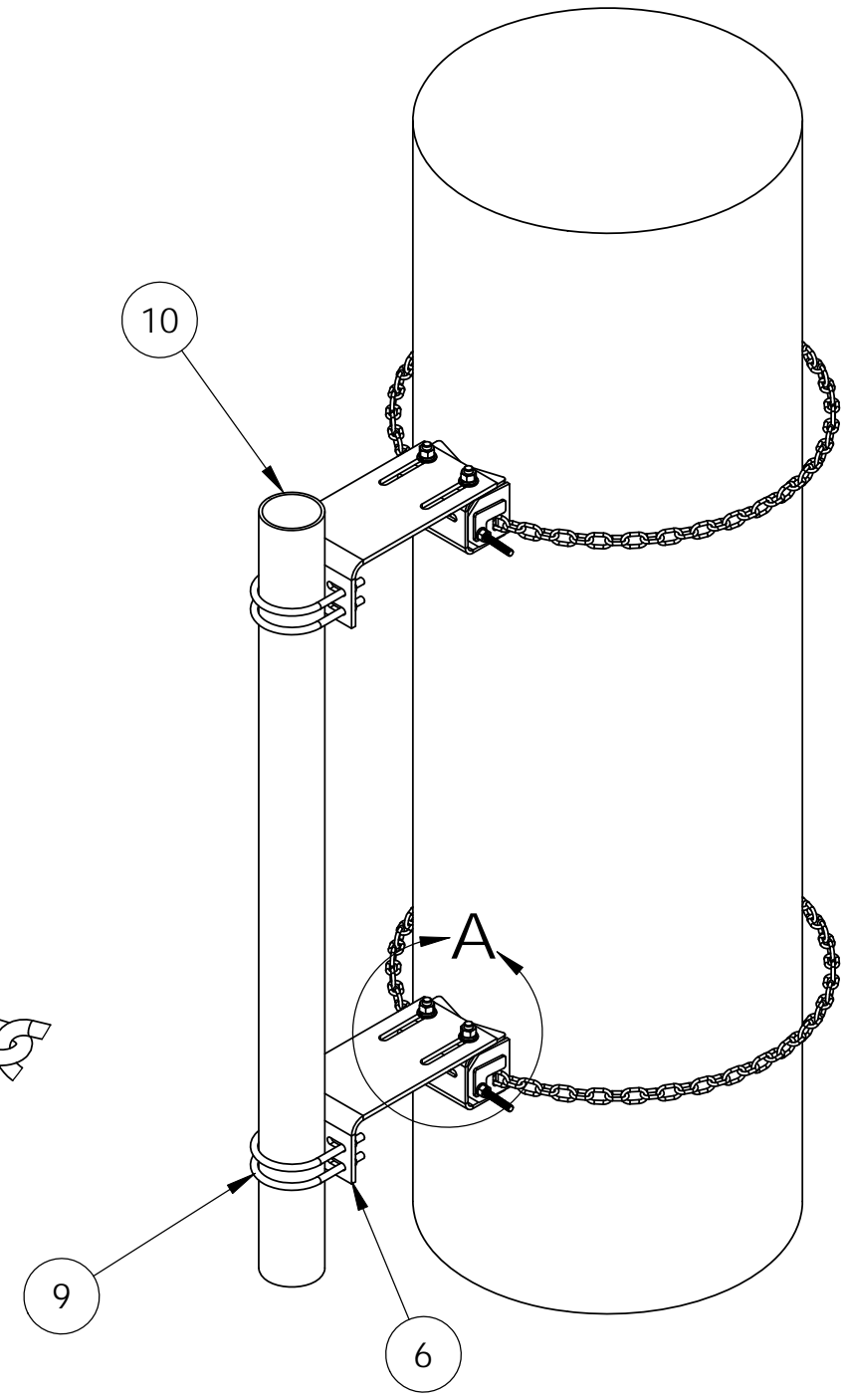
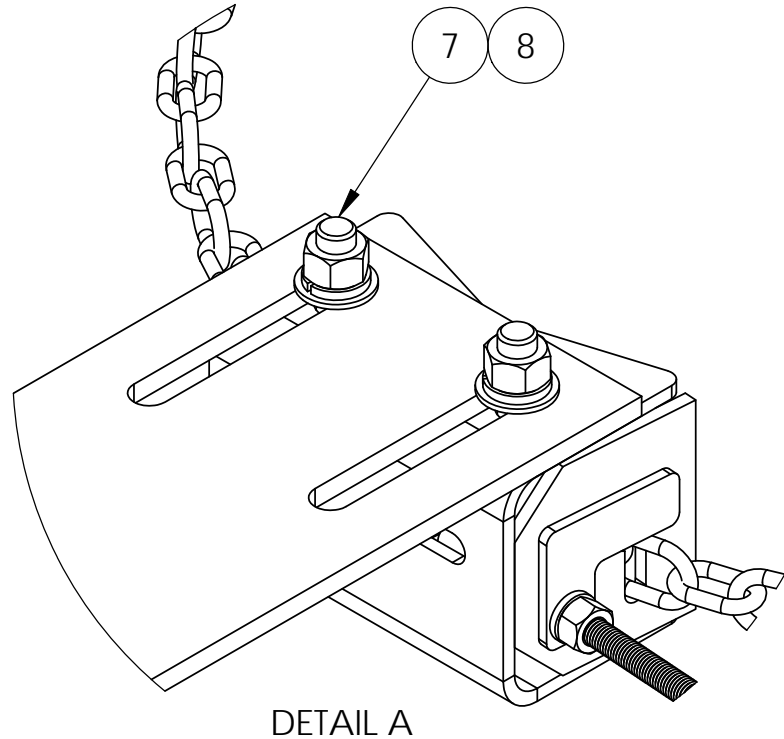
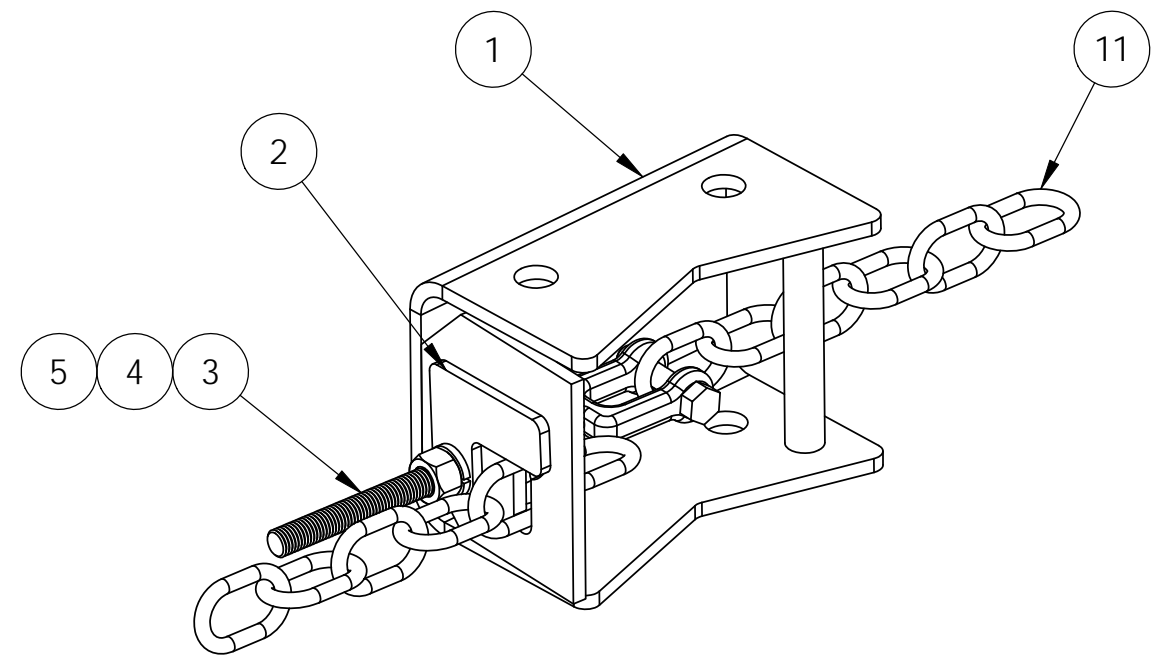


ITEM	PART NO.	DESCRIPTION	QTY.	WEIGHT
1	CM.01	CHAINMOUNT ANCHOR	2	5.85 LBS
2	CM.03	CHAIN LOCK	2	0.20 LBS
3	CM.04	1/2" X 6" Under Jaw Turnbuckle	2	0.68 LBS
4	GWL-04	1/2" GALV LOCK WASHER	2	0.01 LBS
5	GN-04	1/2" GALV HEX NUT	2	0.02 LBS
6	PMSL05	14" L-Bracket	2	13.44 LBS
7	GB-0516A	5/8" X 1-3/4" GALV BOLT KIT (A325)	4	0.24 LBS
8	GWF-05	5/8" GALV FLAT WASHER	4	0.02 LBS
9	GUB-4456	1/2" X 4-5/8" X 6-1/2" GALV U-BOLT	4	0.72 LBS
10	MT-653-63	Ø 4.5" O.D. X 63" Pipe	1	56.35 LBS
11	SEE TABLE	G-43 CHAIN (SEE TABLE)	2	12.00 LBS
12	TW5001	15" TIE-WRAP	6	-


REVISIONS				
REV.	ZONE	DESCRIPTION	BY	DATE
A		INITIAL RELEASE	MSM	02/12/10
B		ADD TIE-WRAPS TO BOM	MSM	08/27/10

NOT SHOWN

PART NUMBER	WEIGHT	PIPE	QTY	CHAIN	CHAIN LENGTH
CML-L30-B	26.14 LBS	NONE	0	G4-0-96	8ft
CML-L30-63	126.60 LBS	MT-653-63	1	G4-0-96	8ft
CML-L60-B	38.14 LBS	NONE	0	G4-0-192	16ft
CML-L60-63	138.60 LBS	MT-653-63	1	G4-0-192	16ft



- NOTES:
- ATTACH THE PIPES OR PIPE MOUNTS TO THE BRACKETS PRIOR TO ADDING THE JAW-BOLT/CHAIN ASSEMBLY
 - TIE-WRAPS USE TO TIE BACK EXCESS CHAIN.

<small>These drawings and specifications are the proprietary property of ANDREW CORPORATION and may be used only for the specific purpose authorized in writing by Andrew Corporation.</small> ALL DIMENSIONS ARE IN INCHES U.O.S. TOLERANCES UNLESS OTHERWISE SPECIFIED: .X = .12 ANGLES 2' .XX = .06 FRACTIONS 1/32 .XXX = .03 REMOVE BURRS AND BREAK EDGES .005 DO NOT SCALE THIS PRINT	DRAWN BY: MSM CHECKED BY: TP DATE: 02/12/10 REVISION: B	SHEET: 1 of 1 SCALE: NTS MATERIAL: A36 FINISH: GALV A123 WEIGHT: SEE TABLE	PART NUMBER: CML-L SERIES DESCRIPTION: Light Duty Chain Mount DRAWING TYPE: ASSEMBLY DRAWING  ORLAND PARK, IL. 60462 U.S.A.
---	--	--	---