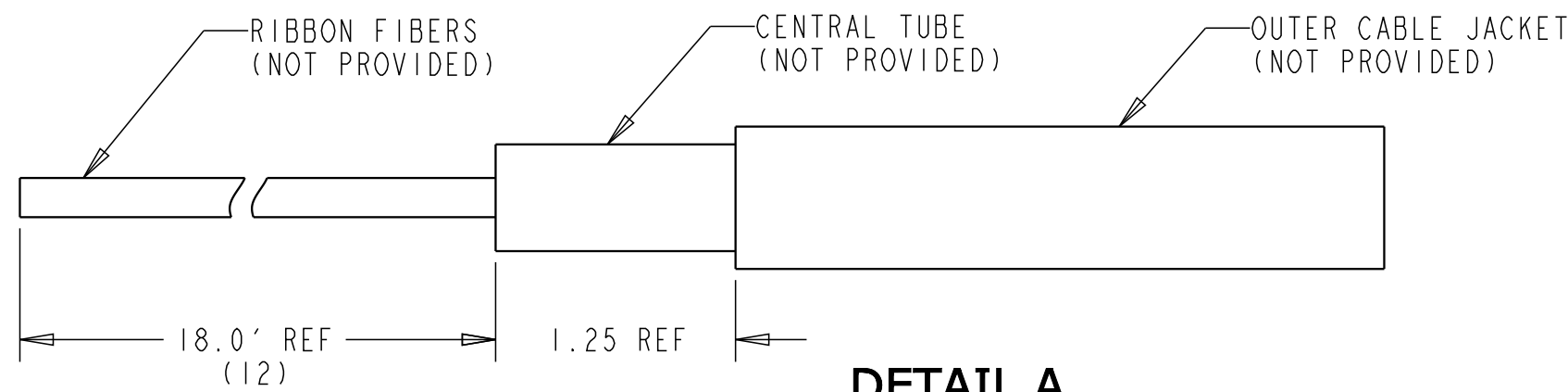
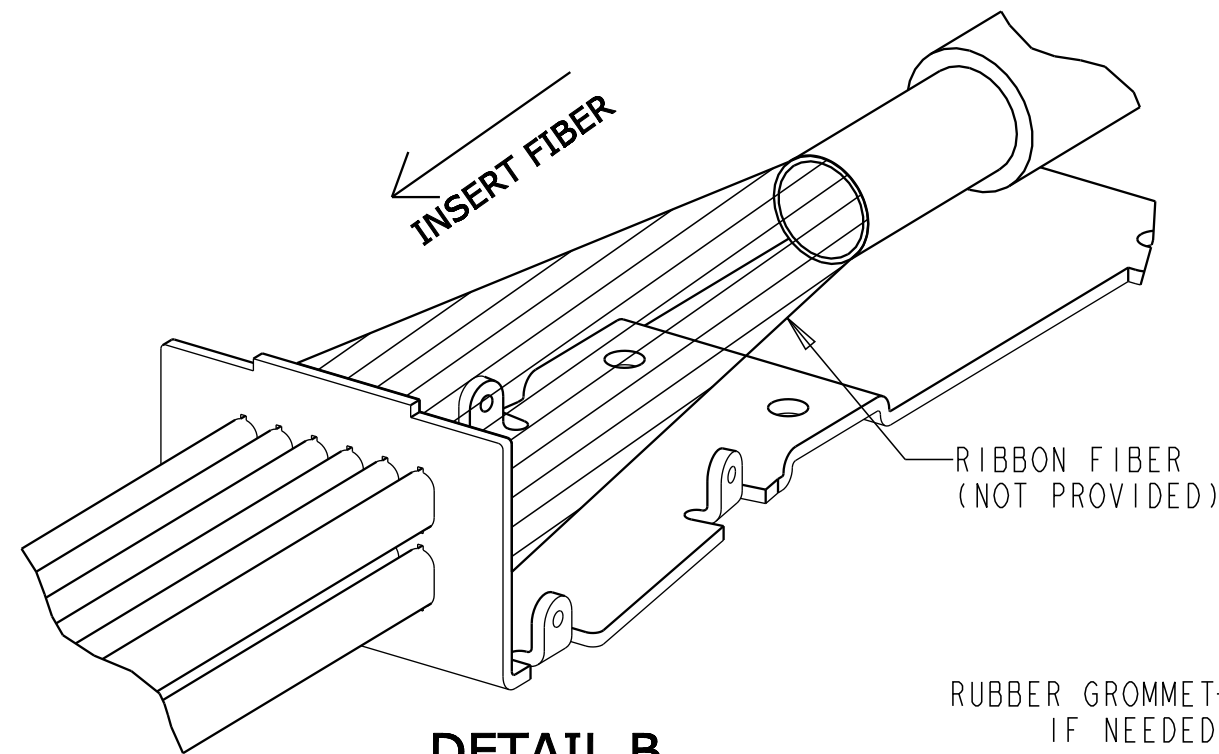


| REV. | MCO         | DWN  | DATE      |
|------|-------------|------|-----------|
| R    | 40011121MCO | KKBV | 19-DEC-13 |
| T    | 8000019154  | ERR  | 28-JAN-17 |



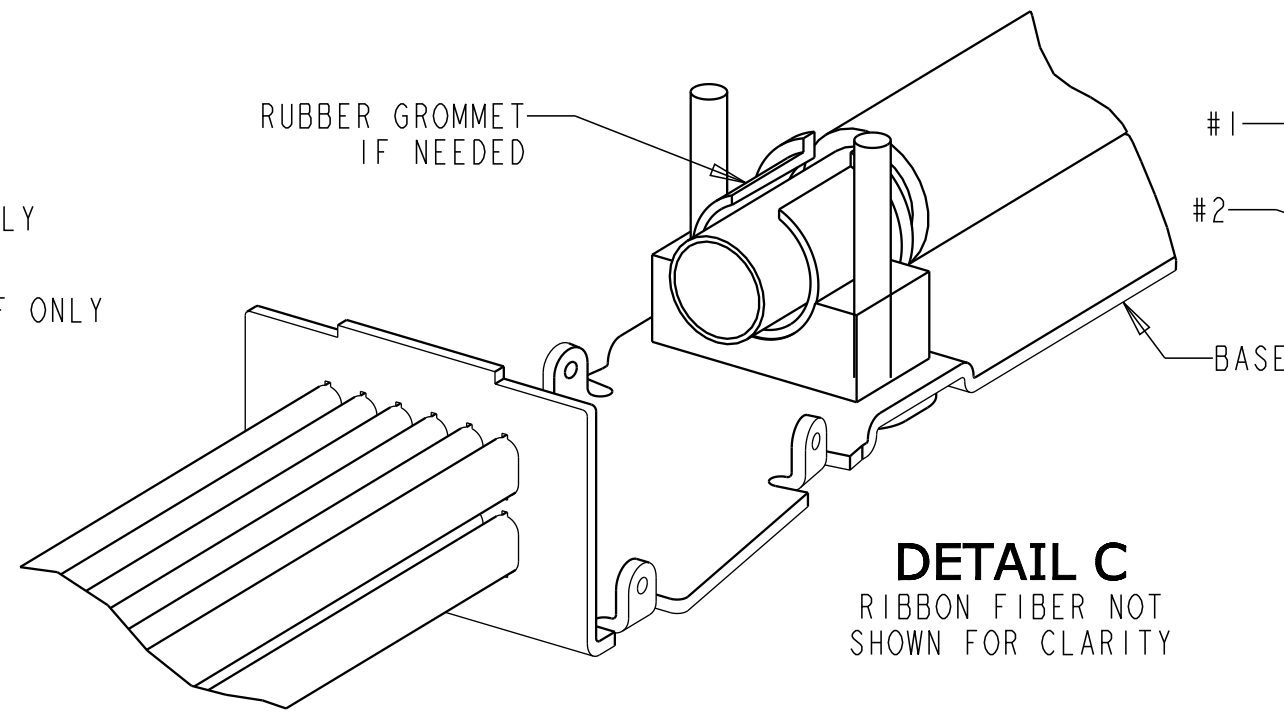
**DETAIL A**



**DETAIL B**

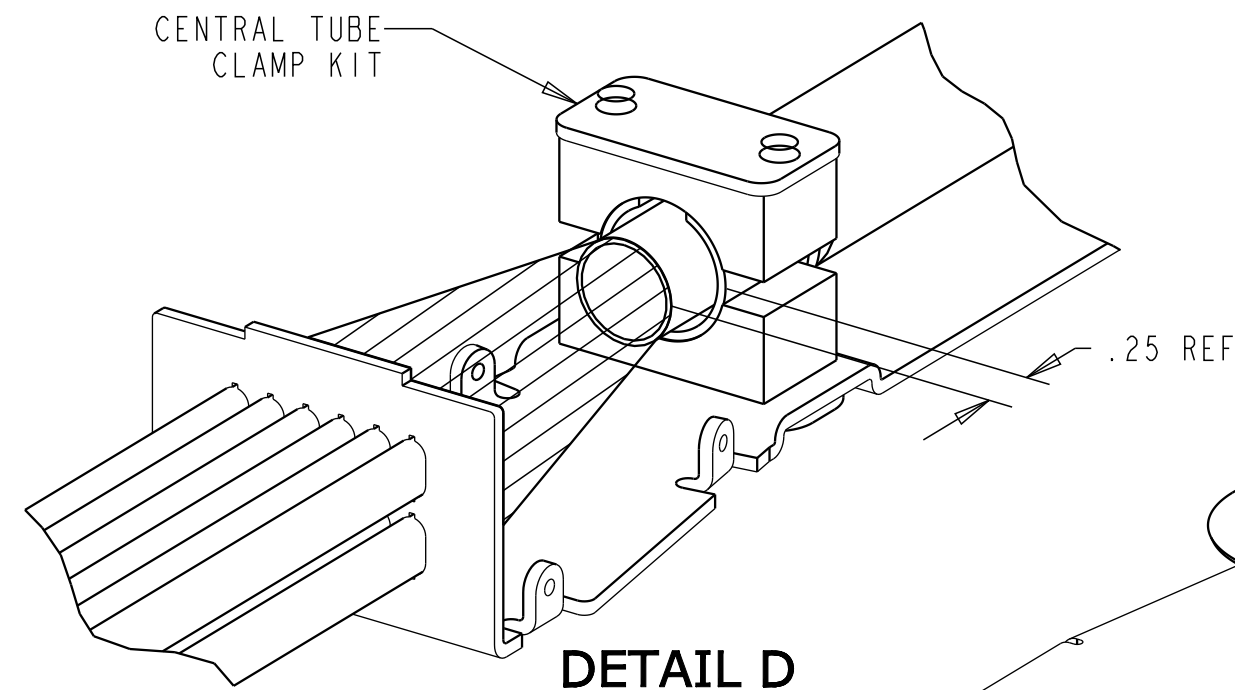
(12) TUBES REF ONLY

NOTE: ASSEMBLY SHOWN WITH 12 TUBES FOR REF ONLY



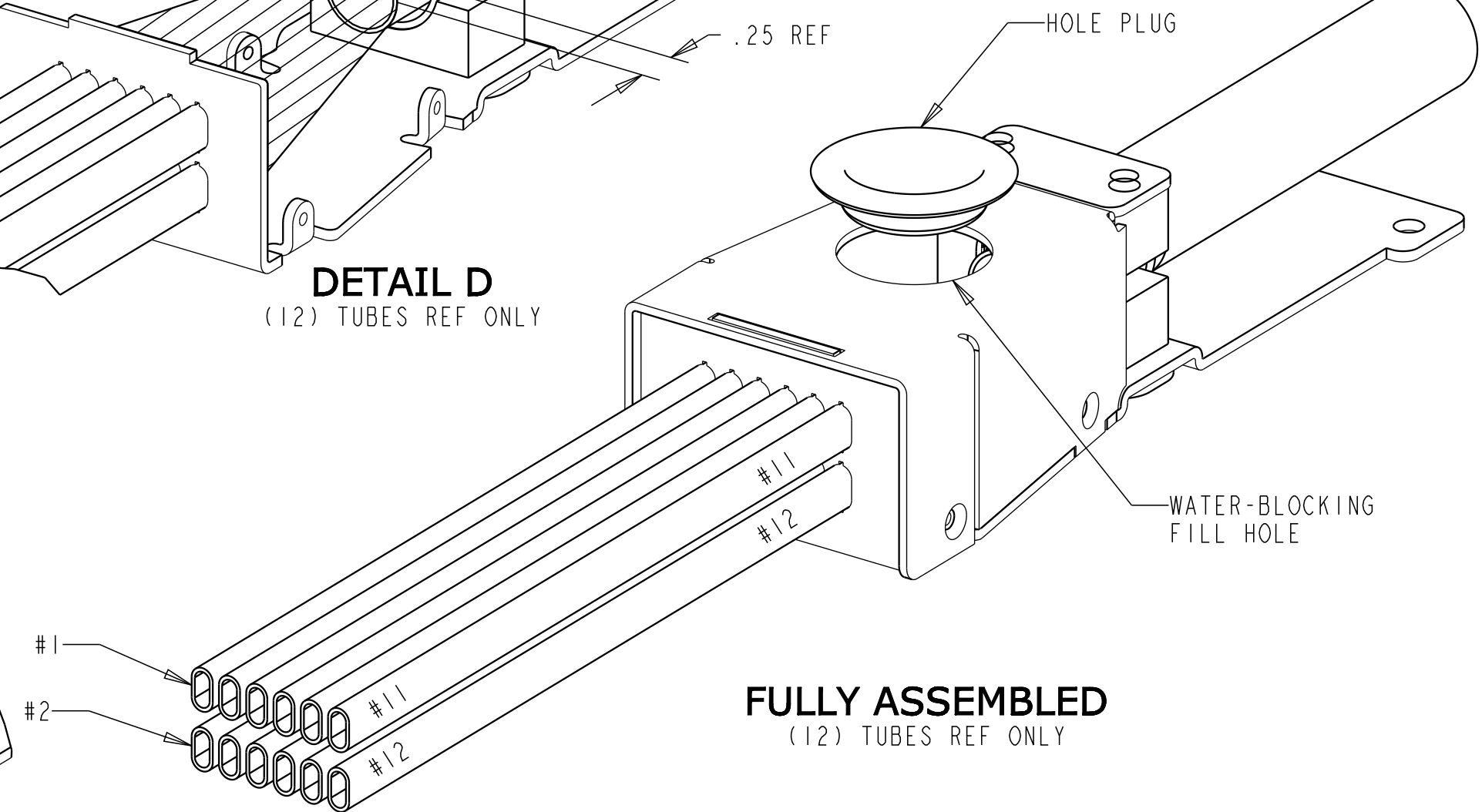
**DETAIL C**

RIBBON FIBER NOT SHOWN FOR CLARITY



**DETAIL D**

(12) TUBES REF ONLY



**FULLY ASSEMBLED**

(12) TUBES REF ONLY

**INSTALLATION INSTRUCTIONS:**

1. STRIP OUTER CABLE JACKET TO EXPOSE INNER CENTRAL TUBE 1.25" MIN. TRIM STRENGTH MEMBERS FLUSH WITH OUTER CABLE JACKET SEE DETAIL A.
2. \*IMPORTANT\* CLEAN RESIDUE FROM OUTSIDE OF CENTRAL TUBE. THIS WILL PREVENT SLIPPAGE WHEN BLOCK IS ATTACHED. SEE DETAIL A.
3. NOTE RIBBON UNITS MUST BE FREE OF MOISTURE BLOCKING GEL. THOROUGHLY CLEAN EACH RIBBON FIBER (DO NOT USE ALCOHOL PACKETS PROVIDED).
4. USE ALCOHOL WIPE (1) PER PROTECTIVE TUBE TO LUBRICATE THE TOP AND BOTTOM RIBBON UNITS. THEN INSERT UP TO (6) FIBER RIBBON UNITS INTO EACH PROTECTIVE TUBE. NOTE: TOP AND BOTTOM RIBBON UNITS SHOULD BE MOIST WITH ALCOHOL WHEN INSERTING INTO PROTECTIVE TUBES. SEE DETAIL B.
5. NOTE: THIS STEP MAY REQUIRE MORE THAN ONE PERSON. CONTINUE TO CAREFULLY GUIDE RIBBON FIBER INTO PROTECTIVE TUBING WHILE MOVING BASE TOWARDS THE CENTRAL TUBE. SEE DETAIL B.
6. CAREFULLY ATTACH CENTRAL TUBE TO BASE USING CENTRAL TUBE CLAMP KIT. ENSURE THAT CENTRAL TUBE PROTRUDES .25 PAST CLAMP KIT, SEE DIMENSION PER DETAIL D. THEN TIGHTEN DOWN WITH HEX NUTS (2) PROVIDED. SEE DETAIL C AND D. (\*DO NOT OVER TIGHTEN\*).
7. AFTER INSERTING ALL RIBBON FIBERS INTO PROTECTIVE TUBES, CAREFULLY PLACE COVER OVER RIBBONS UNITS AND SECURE WITH SCREWS (4) PROVIDED. NOTE: CARE MUST BE TAKEN TO ENSURE RIBBON UNITS ARE NOT TWISTED OR BENT. SEE FULLY ASSEMBLED.

|                |              |                |         |                        |                    |               |           |              |
|----------------|--------------|----------------|---------|------------------------|--------------------|---------------|-----------|--------------|
| BLK-RCT-A18E0  | 1 EACH       | 1 EACH         | 3 EACH  | 1 EACH                 | 1 EACH             | 18 EACH       | 4 EACH    | N/A          |
| BLK-RCT-A12D0  | 1 EACH       | 1 EACH         | 3 EACH  | 1 EACH                 | 1 EACH             | 12 EACH       | 4 EACH    | N/A          |
| BLK-RCT-A12CC  | 1 EACH       | 1 EACH         | 3 EACH  | 1 EACH                 | 1 EACH             | 18 EACH       | 5 EACH    | 1 EACH       |
| BLK-RCT-A12E0  | 1 EACH       | 1 EACH         | 3 EACH  | 1 EACH                 | 1 EACH             | 18 EACH       | 4 EACH    | N/A          |
| BLK-RCT-A12EC  | 1 EACH       | 1 EACH         | 3 EACH  | 1 EACH                 | 1 EACH             | 12 EACH       | 4 EACH    | 1 EACH       |
| BLK-RCT-A18DC  | 1 EACH       | 1 EACH         | 3 EACH  | 1 EACH                 | 1 EACH             | 18 EACH       | 4 EACH    | 1 EACH       |
| BLK-RCT-A18D0  | 1 EACH       | 1 EACH         | 3 EACH  | 1 EACH                 | 1 EACH             | 18 EACH       | 4 EACH    | N/A          |
| BLK-RCT-A18C0  | 1 EACH       | 1 EACH         | 2 EACH  | 1 EACH                 | 1 EACH             | 18 EACH       | 4 EACH    | N/A          |
| BLK-RCT-B12EC  | 1 EACH       | 1 EACH         | 1 EACH  | 1 EACH                 | 1 EACH             | 12 PACKETS    | 4 EACH    | 1 EACH       |
| BLK-RCT-B12E0  | 1 EACH       | 1 EACH         | 1 EACH  | 1 EACH                 | NONE               | 12 PACKETS    | 4 EACH    | N/A          |
| BLK-RCT-B12D0  | 1 EACH       | 1 EACH         | 2 EACH  | 1 EACH                 | NONE               | 12 PACKETS    | 4 EACH    | N/A          |
| BLK-RCT-B10D0  | 1 EACH       | 1 EACH         | 2 EACH  | 1 EACH                 | 1 EACH             | 10 PACKETS    | 4 EACH    | N/A          |
| BLK-RCT-B10C0  | 1 EACH       | 1 EACH         | 2 EACH  | 1 EACH                 | 1 EACH             | 10 PACKETS    | 4 EACH    | N/A          |
| BLK-RCT-B09EC  | 1 EACH       | 1 EACH         | 1 EACH  | 1 EACH                 | 1 EACH             | 9 PACKETS     | 4 EACH    | 1 EACH       |
| BLK-RCT-B09E0  | 1 EACH       | 1 EACH         | 1 EACH  | 1 EACH                 | 1 EACH             | 9 PACKETS     | 4 EACH    | N/A          |
| BLK-RCT-B09D0  | 1 EACH       | 1 EACH         | 2 EACH  | 1 EACH                 | 1 EACH             | 9 PACKETS     | 4 EACH    | N/A          |
| CATALOG NUMBER | BASE W/TUBES | BLOCKING COVER | GROMMET | CENTRAL TUBE CLAMP KIT | WATER BLOCKING KIT | ALCOHOL WIPES | #4 SCREWS | SCORING TOOL |

COMMSCOPE, INC.

|  |                                       |  |                               |
|--|---------------------------------------|--|-------------------------------|
| © 2016 COMMSCOPE, INC. CONFIDENTIAL NOTICE: THESE DRAWINGS AND SPECIFICATIONS ARE THE PROPRIETARY PROPERTY OF COMMSCOPE, INC. AND MAY BE USED ONLY FOR THE SPECIFIC PURPOSE AUTHORIZED IN WRITING BY COMMSCOPE, INC. |                                       | TITLE<br>RIBBON BLOCKING INSTALLATION POSITION |                               |
| ALL DIMS AND TOLERANCES ARE INCHES UNLESS OTHERWISE SPECIFIED  | .XX:±N/A<br>.XXX:±N/A<br>ANGULAR:±N/A | C<br>SIZE                                      | DRAWING NUMBER<br>1146887_ADC |
| DO NOT SCALE DRAWING   | ENGR: J. BARRAZA<br>DWN: R. CAZARES   | T<br>REV                                       | SHT. 1 OF 1                   |

DIMENSIONS IN INCHES  
THIRD ANGLE PROJECTION