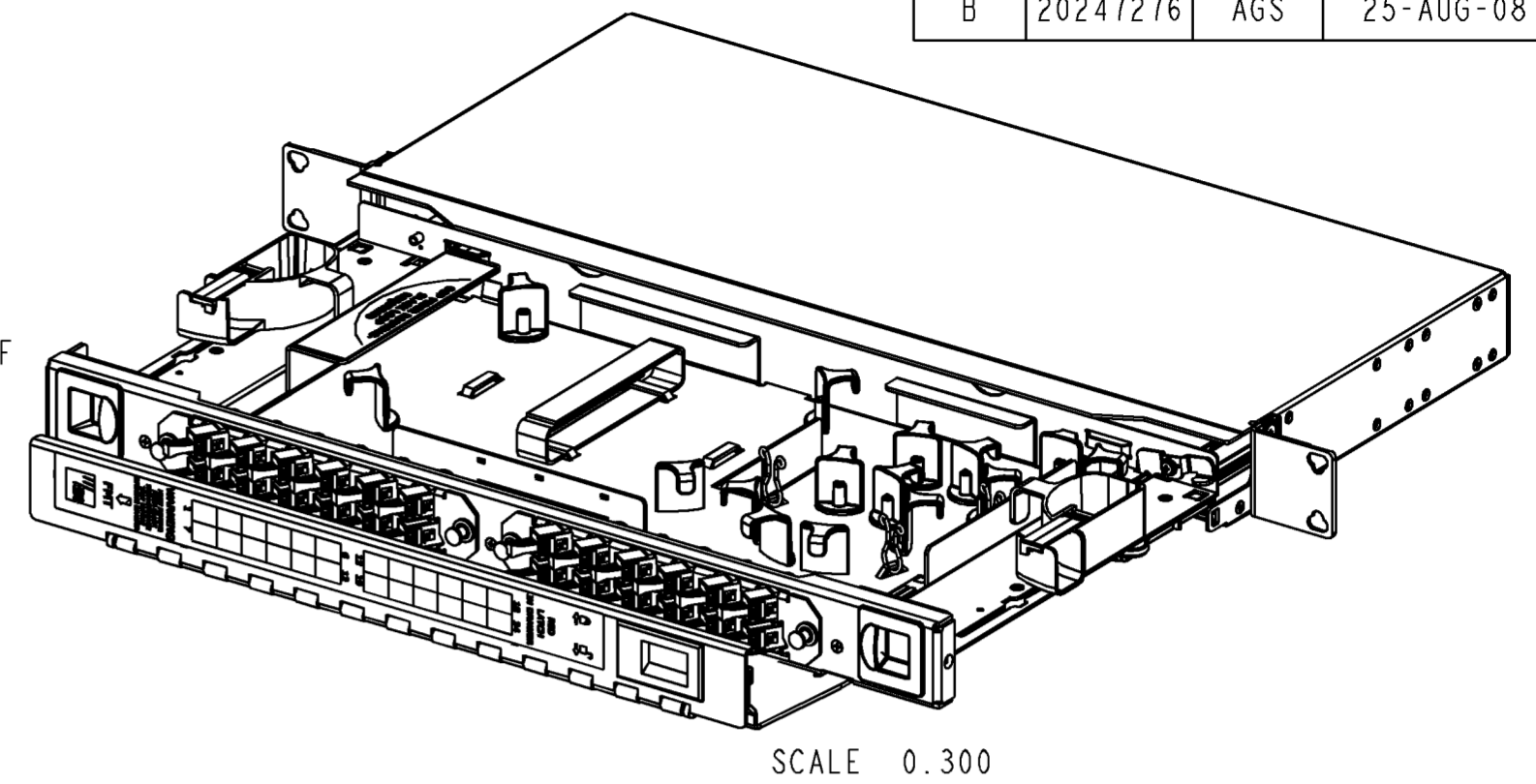
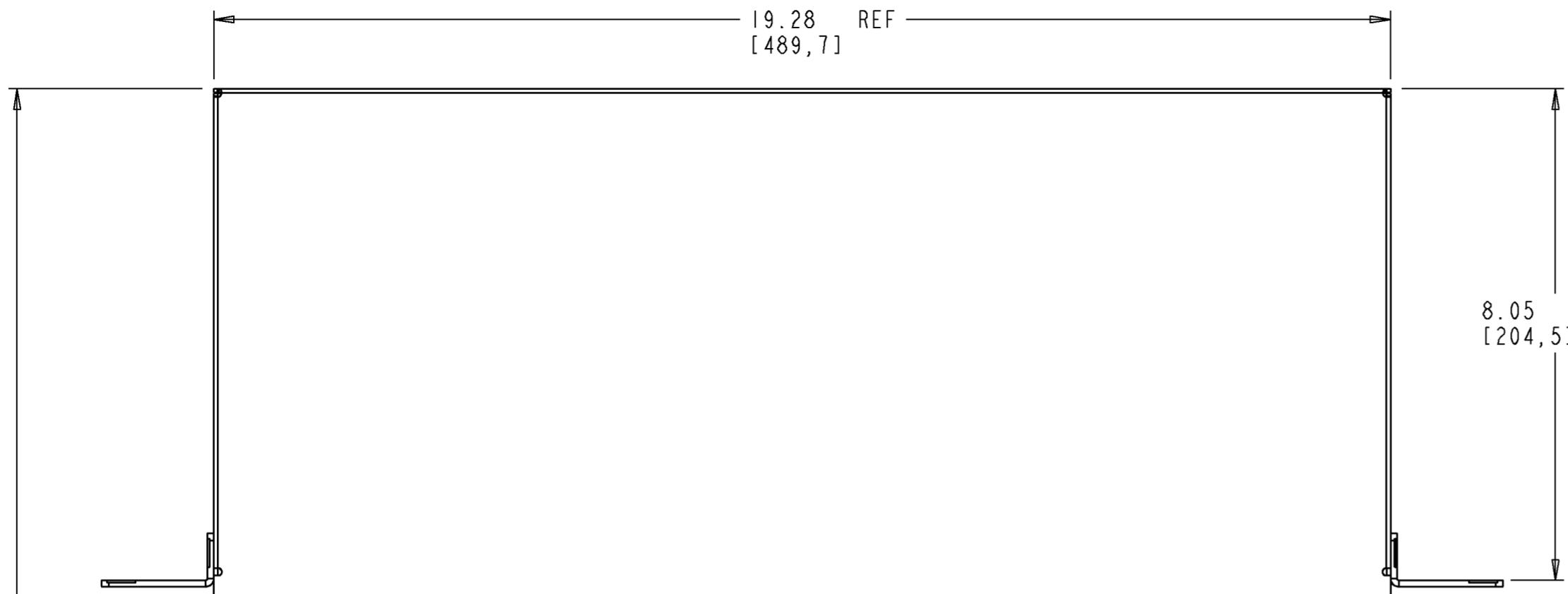
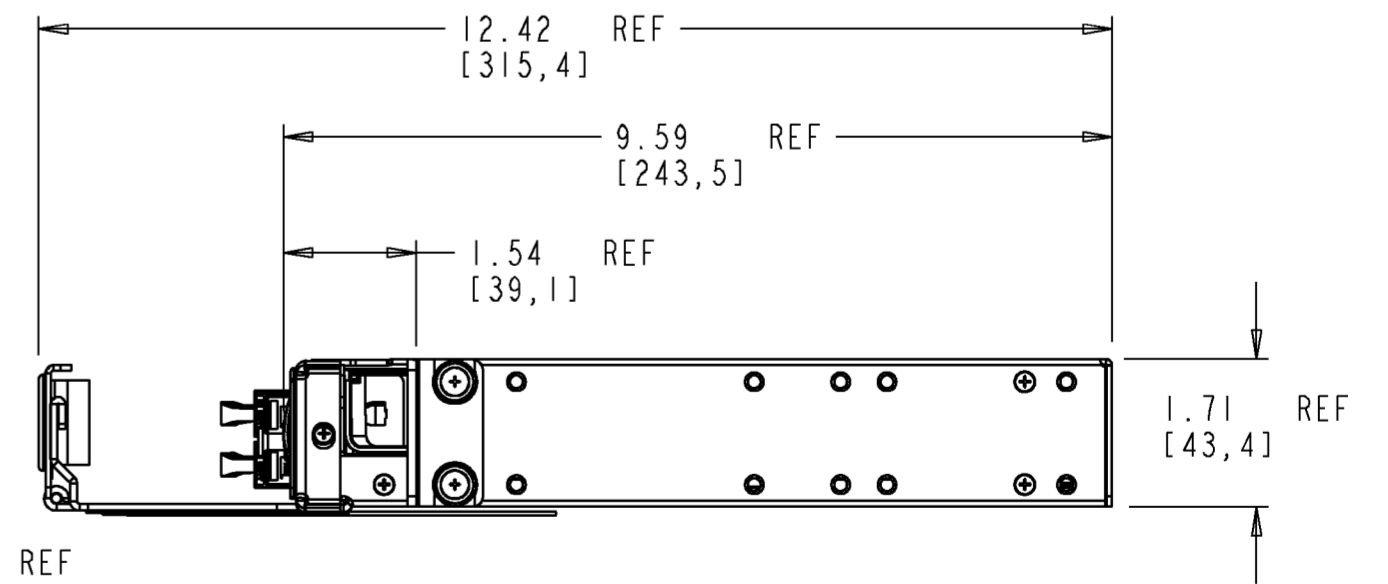
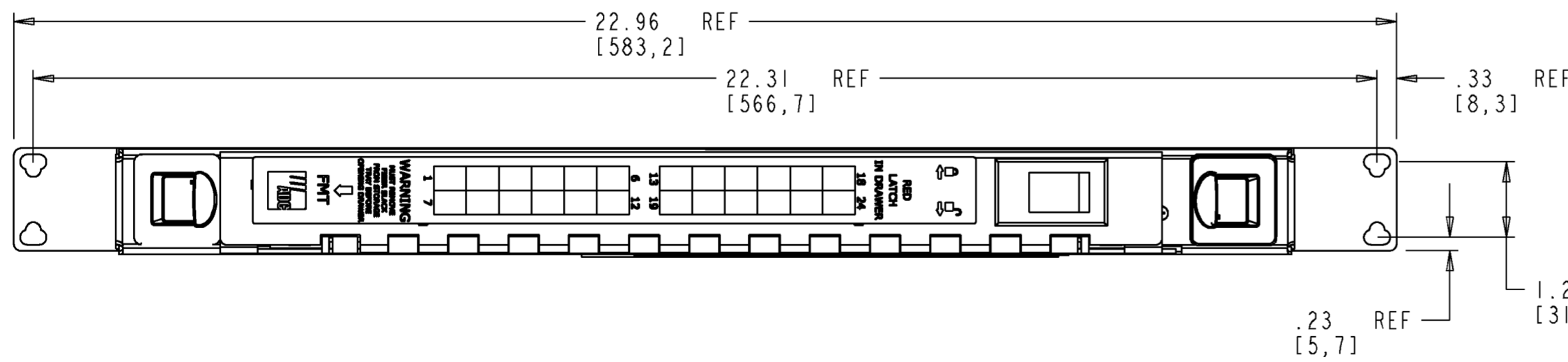
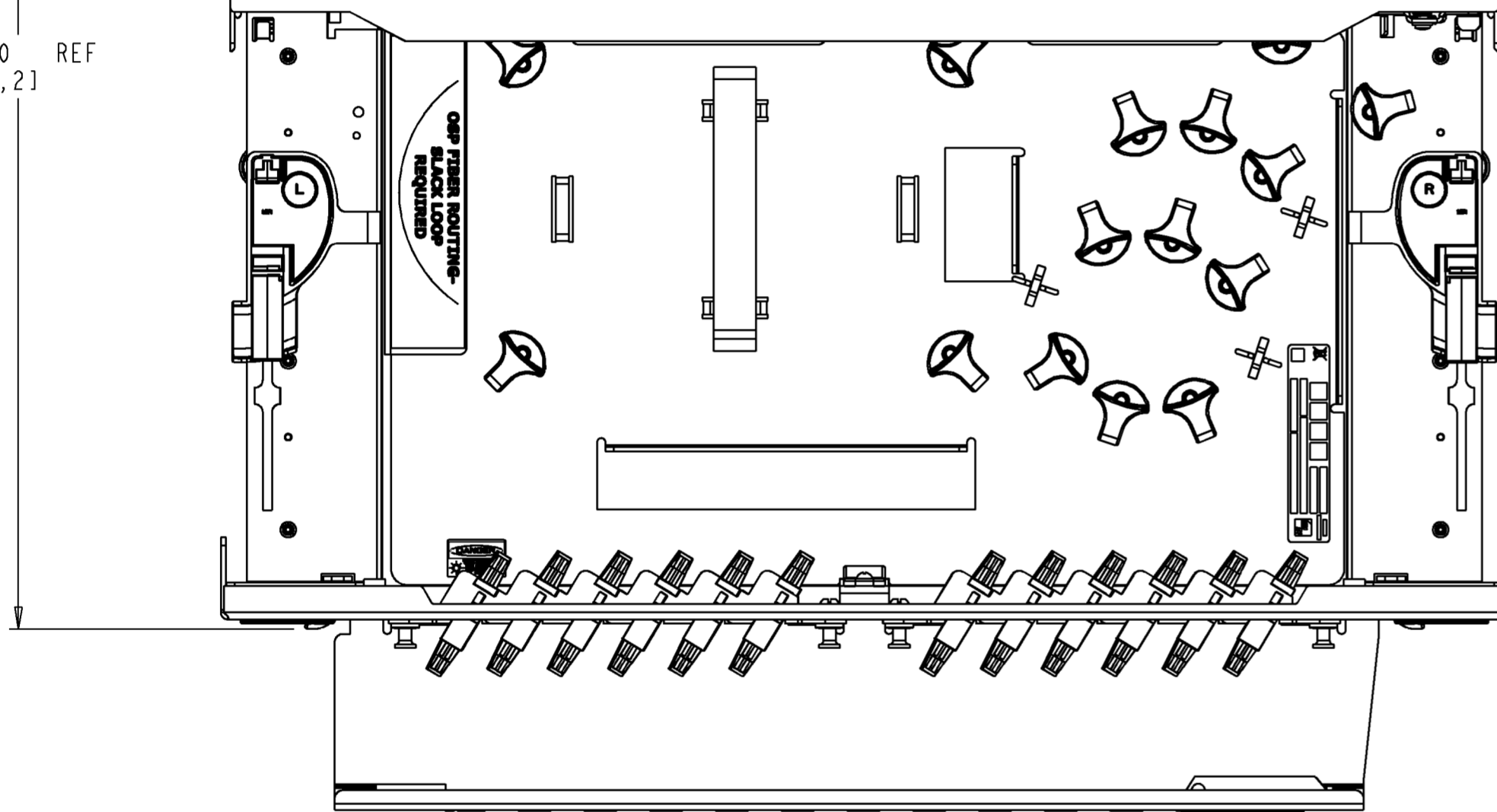


REV	MCO	DWN	DATE
A	20226013	TH	19-SEP-07
B	20247276	AGS	25-AUG-08



18.20 REF [462, 2]



FMT-PBH075A00-V24P

CATALOG NUMBER



INFORMATION ON THIS DOCUMENT IS PROPRIETARY TO ADC AND SHALL NOT BE USED, COPIED, REPRODUCED OR DISCLOSED IN WHOLE OR IN PART WITHOUT WRITTEN CONSENT OF ADC.

ALL DIMS AND TOLERANCES ARE INCHES UNLESS OTHERWISE SPECIFIED

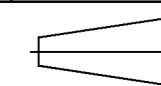
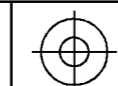
TITLE FMT BULKHEAD INSTALLATION DRAWING

DRAWING NUMBER 1421203

DO NOT SCALE DRAWING

ENGR: DENNIS KRAMPOTICH
DWN: ANTHONY SZCZODROSKI

SHT. 1 OF 2



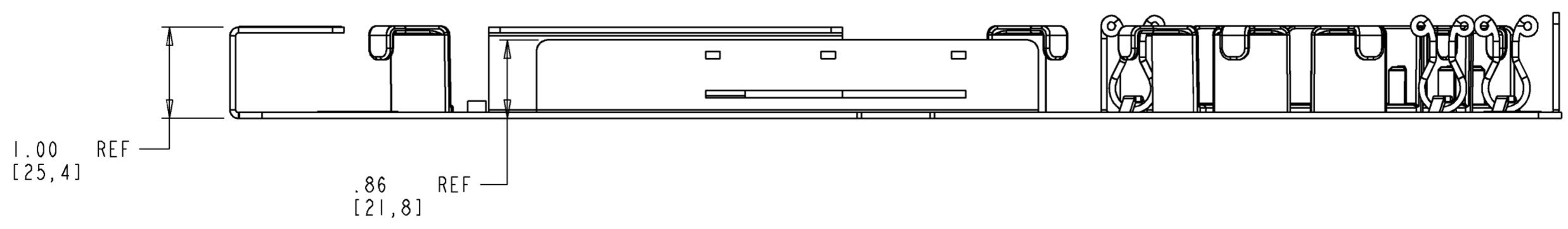
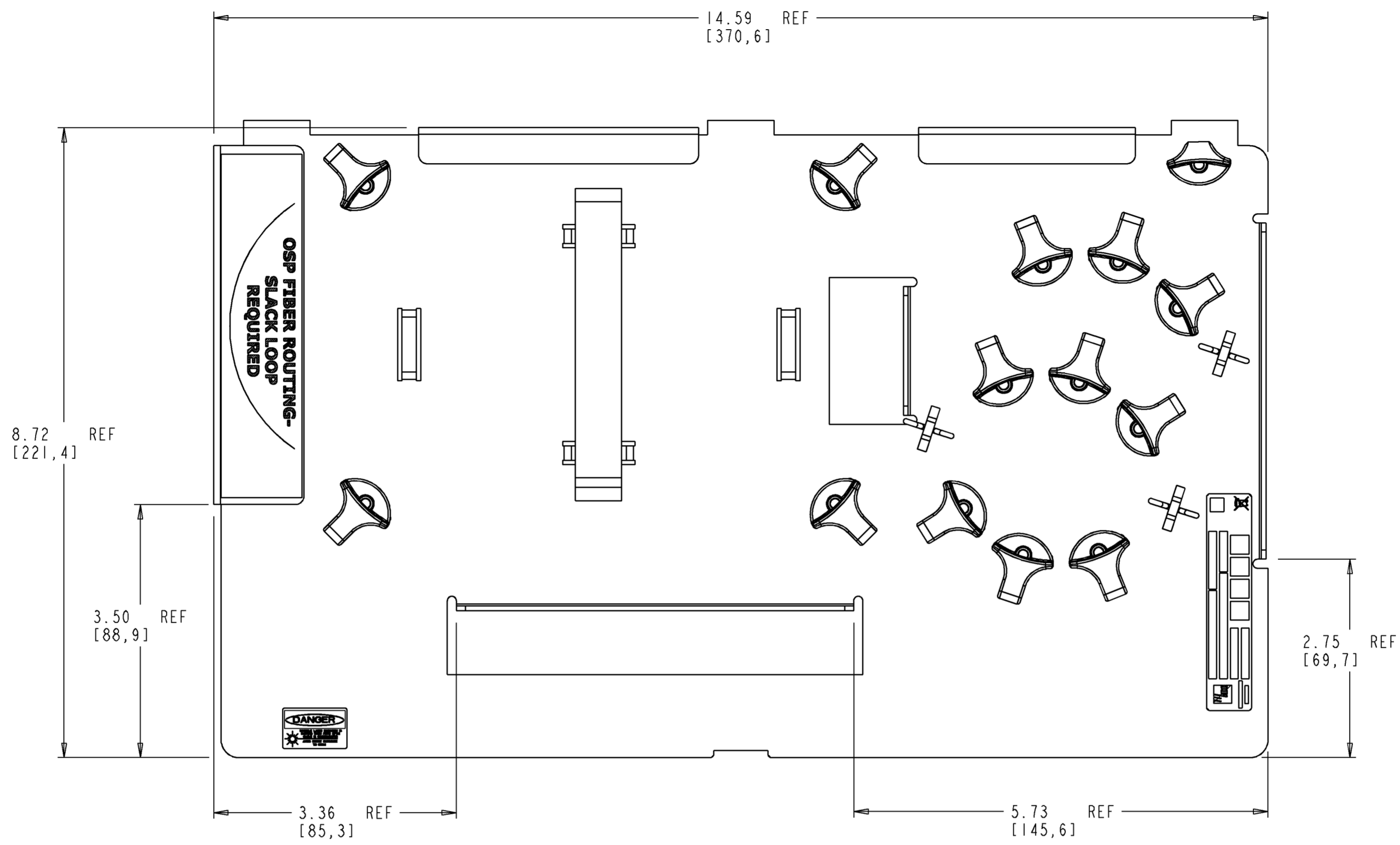
DIMENSIONS IN INCHES
THIRD ANGLE PROJECTION

A

B

C

D



INFORMATION ON THIS DOCUMENT IS PROPRIETARY TO ADC AND SHALL NOT BE USED, COPIED, REPRODUCED OR DISCLOSED IN WHOLE OR IN PART WITHOUT WRITTEN CONSENT OF ADC.

TITLE FMT BULKHEAD DIMENSION DRAWING

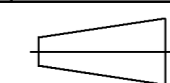
ALL DIMS AND TOLERANCES ARE INCHES UNLESS OTHERWISE SPECIFIED

SIZE C DRAWING NUMBER 1421203

DO NOT SCALE DRAWING

ENGR: DENNIS KRAMPOTICH
DWN: ANTHONY SZCZODROSKI

SHT. 2 OF 2



**DIMENSIONS IN INCHES
THIRD ANGLE PROJECTION**

A

B

C

1

2

3

4

1

2

3

4